



A TEREX BRAND

Parts Manual

Serial Number Range

GTH-5021R_III A from SN GTH5021R15B-128 to
GTH5021R16B-131
from SN GTH5021R16M-132 to
GTH5021R17M-181

Part No. 57.0411.0054GT

Rev C

June 2018

Technical Publications

Genie has endeavored to deliver the highest degree of accuracy possible. However, continuous improvement of our products is a Genie policy.

Therefore, product specifications are subject to change without notice.

Readers are encouraged to notify Genie of errors and send in suggestions for improvement. All communications will be carefully considered for future printings of this and all other manuals.

Contact Us:

www.genielift.com
e-mail: awp.techpub@terex.com

Find additional Manuals for this Model

Go to <http://www.genielift.com>

Use the links to locate Operator's, Parts, Maintenance, and Service and Repair Manuals.

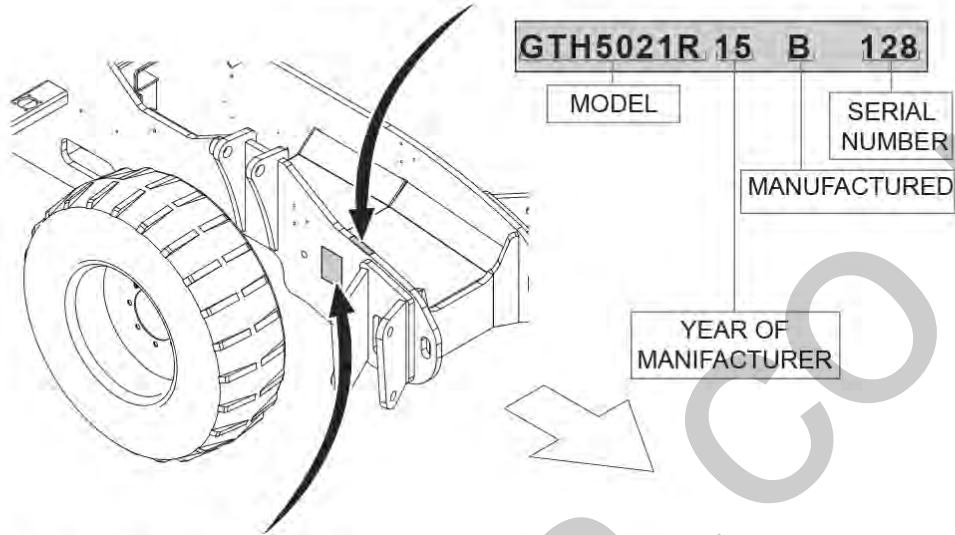
Copyright © 2016 by Terex Corporation
57.0411.0054GT Rev A September 2016
First Edition, First Printing

Genie is a registered trademark of Terex South Dakota Inc. in the USA and many other countries.

 Printed on recycled paper

Chassis serial number

(The chassis serial number is punched on the front right part of the chassis side member)



Machine data plate

(On machines destined for the Italian market, the machine data plate is installed in the driving cab, on the right, and is well-visible when the door is opened. On the machines destined for foreign markets, the data plate is applied on the front right side of the chassis)

Genie
A TEREX BRAND

MODEL: xxx-xxxx
SERIAL NUMBER: xxxxxxx-xxxxx

ATTACHMENT:
MANUFACTURE DATE: xx/xx/xxxx
TOTAL TRUCK WEIGHT(LBS): xxxx kg
MAX LIFT CAPACITY(LBS): xxxx LBS

LIFT CAPACITY(LBS)
AT MAX LIFT HEIGHT: xxxx LBS
OUTRIGGERS UP: xx
OUTRIGGERS DOWN: xx

COUNTRY OF MANUFACTURE: Italy

MANUFACTURER:
TEREX Global GmbH
Muhlenstrasse 26
8200 - Schaffhausen
Switzerland

THIS FORKLIFT TRUCK COMPLIES WITH:
ANSI/ITSDF B56.6-2011
CSA B335-04

Table of Contents

This manual is updated frequently. If you have a printed manual, you can keep it up to date by downloading new figures from the Genie website at www.genielift.com. For the most up-to-date parts information, visit the Parts Lookup System on the Genie website at www.genielift.com.

How to Read Your Serial Number.....	3
Parts Stocking List.....	7
How to Order Parts.....	8
Service Parts Fax Order Form.....	9

Electronic Version

Click on any page number to view the figure.

001 Parts Stocking List

001.1 Parts Stocking List.....	10
--------------------------------	----

100 Decal

101.1 608900 Decals, View 1.....	12
102.1 608901 Decals, View 2.....	14
103.1 608902 Decals, View 3.....	16
104.1 608903 Load Charts.....	18

200 Drive Chassis Components

201.1 608905 Basic Frame Chassis.....	20
202.1 608906 Engine Casing Unit.....	22
203.1 608907 Slewing Upper Structure - View 1.....	24
204.1 608908 Slewing Upper Structure - View 2.....	26
205.1 608909 Transmission And Wheels.....	28
206.1 608910 Hydraulic oil And Diesel Tanks.....	30
207.1 608911 Outriggers - View 1.....	32
208.1 608912 Outriggers - View 2.....	34
209.1 608913 Front Axle - Housing.....	36
210.1 608914 Front And Rear Axle - Differential.....	38
211.1 608915 Front And Rear Axle - Bevel Gear Set.....	40
212.1 608916 Front And Rear Axle - Double U Joint - Hub And Final Reduction.....	42
213.1 608917 Front And Rear Axle - Steering Cylinder And Swivel Housing.....	44
214.1 608918 Front And Rear Axle - Brakes.....	46
215.1 608919 Rear Axle - Housing.....	48
216.1 608920 Transmission Housing.....	50
217.1 608921 Transmission Gear And Shafts.....	52
218.1 608922 Transmission Rear Support.....	54
219.1 608923 Turret Rotation - Reduction Gear.....	56

300 Engine Components

301.1 608925 Diesel Engine.....	58
302.1 608926 Engine Cooling System - Air Filter.....	60
303.1 608927 Engine Heatsink.....	62
304.1 608928 Exhaust System And Accelerator.....	64
305.1 608929 Hydraulic Pumps.....	66

400 Cab Components

401.1 608930 Cab, View 1.....	68
402.1 608931 Cab, View 2.....	70
403.1 608932 Cab, View 3.....	72
404.1 608933 Cab, View 4.....	74
405.1 608934 Seat Assembly.....	76
406.1 608935 Dashboard.....	78
407.1 608936 Heater, Cab Part.....	80
408.1 608937 Heater, Engine Part.....	82
409.1 608938 Heater, Fan And Element.....	84

500 Boom Components

501.1 608940 Arm 1st - 2nd Telescopic Element.....	86
502.1 608941 Arm 3rd - 4th Telescopic Element.....	88
503.1 608942 Chain Unit 1st Boom Section.....	90
504.1 608943 Chain Unit 2nd Boom Section.....	92
505.1 608944 Chain Unit 3rd Boom Section.....	94
506.1 608945 Chain Unit 4th Boom Section.....	96
507.1 608946 Stop Spacer Boom Section.....	98
508.1 608947 Coupling Unit.....	100
509.1 608948 Forks.....	102
510.1 608949 Lifting Cylinder - Slave Cylinder - Tilting Cylinder.....	104
511.1 608950 Boom Extension Cylinder.....	106

600 Hydraulic System

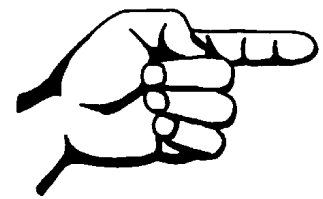
601.1 608951 Boom Extension Cylinder.....	108
602.1 608952 Fork Balancing Cylinders.....	110
603.1 608953 Attachment.....	112
604.1 608954 Rear Axle Pivoting Cylinders.....	114
605.1 608955 Front Outriggers - To SN GTH5021R17M-164.....	116
605.2 609017 Front Outriggers - From SN GTH5021R17M-165.....	118
606.1 608956 Hoses Fittings Holder Plate.....	120
607.1 608957 Rear Outriggers - To SN GTH5021R17M-164.....	122
607.2 609018 Rear Outriggers - From SN GTH5021R17M-165.....	124
608.1 608958 Lift Cylinder.....	126
609.1 608959 Slewing Upper Structure Rotation.....	128

610.1 608960 Service Brake, Parking Brake, Differential Lock Solenoid Valve - Part 1.....	130	810.1 609000 Man Platform Predisposition - Emergency Pump, View 1.....	206
611.1 608961 Service Brake, Parking Brake, Differential Lock Solenoid Valve - Part 2.....	132	811.1 609001 Man Platform Predisposition - Emergency Pump, View 2.....	208
612.1 608962 Brakes Max Pressure Valve.....	134	812.1 609002 Mixing Bucket Predisposition.....	210
613.1 608963 Main Valve Locking And Outriggers Solenoid Valve Block.....	136	813.1 609003 Windscreen Protection and Power Pack.....	212
614.1 608964 Main Valve - Elements - To SN GTH5021R16M-140.....	138	814.1 609004 Windscreen Wiper.....	214
614.2 609016 Main Valve - Elements - From SN GTH5021R16M-141.....	140	815.1 609005 Boom Work Light.....	216
615.1 608965 Power Steering.....	142	816.1 609006 Cabin Work Light.....	218
616.1 608966 Hydraulic Oil Cooler.....	144	817.1 609007 Chassis Levelling, View 1.....	220
617.1 608967 Slewing Upper Structure Hoses Locking System.....	146	818.1 609008 Chassis Levelling, View 2.....	222
618.1 608968 Pressure Plugs.....	148	819.1 609009 Twing Hitch.....	224
619.1 608969 Suction System Hydraulic Pumps.....	150	820.1 609010 Fem 3 Forks.....	226
620.1 608970 Hydraulic Transmission.....	152	821.1 609011 Remote Radio Control And Green Light.....	228
621.1 608971 Shift Gear Solenoid Valve.....	154	822.1 609012 Fork Side Shift And Positioner - Part 1.....	230
700 Electric Installation		823.1 609013 Fork Side Shift And Positioner - Part 2.....	232
701.1 608975 Cabin Fuse - Relay Box.....	156	824.1 609014 GM-1 Articulation.....	234
702.1 608976 Engine Line.....	158	825.1 609015 LMI Tower Lights.....	236
703.1 608977 Base Frame Line.....	160	826.1 609019 Continous Rotating 360° - Joint.....	238
704.1 608978 Slewing Upper Structure Line - Part 1.....	162	827.1 609020 Continous Rotating 360° - Cab Heater Hoses.....	240
705.1 608979 Slewing Upper Structure Line - Part 2.....	164	828.1 609021 Continous Rotating 360° - Outriggers.....	242
706.1 608980 Dashboard Line.....	166	829.1 609022 Continous Rotating 360° - Service Brake.....	244
707.1 608981 Side Cab Line.....	168	830.1 609023 Continous Rotating 360° - Power Steering.....	246
708.1 608982 Dashboard.....	170	831.1 609024 Continous Rotating 360° - Hydraulic Oil Tank.....	248
709.1 608983 Connectors.....	172	832.1 609025 Continous Rotating 360° - Chassis Levelling.....	250
710.1 608984 Connectors.....	174	Indices	
711.1 608985 Connectors.....	176	Part Number Index.....	252
712.1 608986 Connectors.....	178	Part Description Index.....	259
713.1 608987 Connectors.....	180	Cross References	
714.1 608988 Connectors.....	182	Fittings Cross Reference.....	270
715.1 608989 Connectors.....	184		
716.1 608990 Auxiliary Hydraulic Circuit And Attachment.....	186		
800 Optionals			
801.1 608991 Transport Locking Devices.....	188		
802.1 608992 Plate For Swiss Market.....	190		
803.1 608993 Hydraulic Jack.....	192		
804.1 608994 Auxiliary Hydraulic Circuit.....	194		
805.1 608995 Hydraulic Quick Coupling And 1 Aux Circuit.....	196		
806.1 608996 Hydraulic Quick Coupling And 2 Aux Circuits.....	198		
807.1 608997 Air Conditioning, View 1.....	200		
808.1 608998 Air Conditioning, View 2.....	202		
809.1 608999 Air Conditioning, View 3.....	204		

Notes

Horizontal lines for notes with a large watermark: Silverhorn.CO.UK

Please refer to section 001 for the Recommended Spare Parts List.



This page intentionally left blank.

Silverhorn.co.uk

How to Order Parts

Please be prepared with the following information when ordering replacement parts for your Terex or Genie product.

- Machine model number
- Machine serial number
- Part number
- Part description and quantity
- Purchase order number
- "Ship to" address
- Desired method of shipment
- Name and telephone number of the authorized distributor in your area

Use the Service Parts Fax Order Form on the next page and fax your order to our Parts Department.

If you don't know the name of your authorized distributor, or if your area is not currently serviced by an authorized distributor, please call Terex or Genie Industries.

Machine Information

Model

Serial Number

Date of Purchase

Authorized Genie Distributor

Phone Number

North America

Telephone (425)881-1800

Toll Free (800)536-1800 in US and Canada

Fax (425)556-8659

Toll Free fax (888)274-6192

Email AWP.PartsSalesPO@terex.com

<http://genielift.com/en>

EMEAR (Europe, Middle East, Africa and Russia)

Telephone (31)(165)519 313

Fax (31)(165)511 148

<http://genielift.co.uk>

Asia Pacific (Genie Singapore)

Telephone +65 6692 7777

Fax +65 6261 8893

<http://genielift.com.sg/>

Australia

Telephone (61)(7)3456 4444

Fax (61)(7)3456 4466

<http://genielift.com.au>

South America

Telephone (55)(11)4082 5600

Fax (55)(11)4082 5630



Service Parts Fax Order Form

Fax to: (425) 556-8659 or Toll Free: 888-274-6192
International: +1-425-556-8659

Please fill out completely

Date _____ Account Number _____
Your Name _____ Your Fax Number _____
_____ Your Phone Number _____
Bill To _____ Ship To _____
_____ _____
_____ _____
Purchase Order Number _____ Ship Via _____

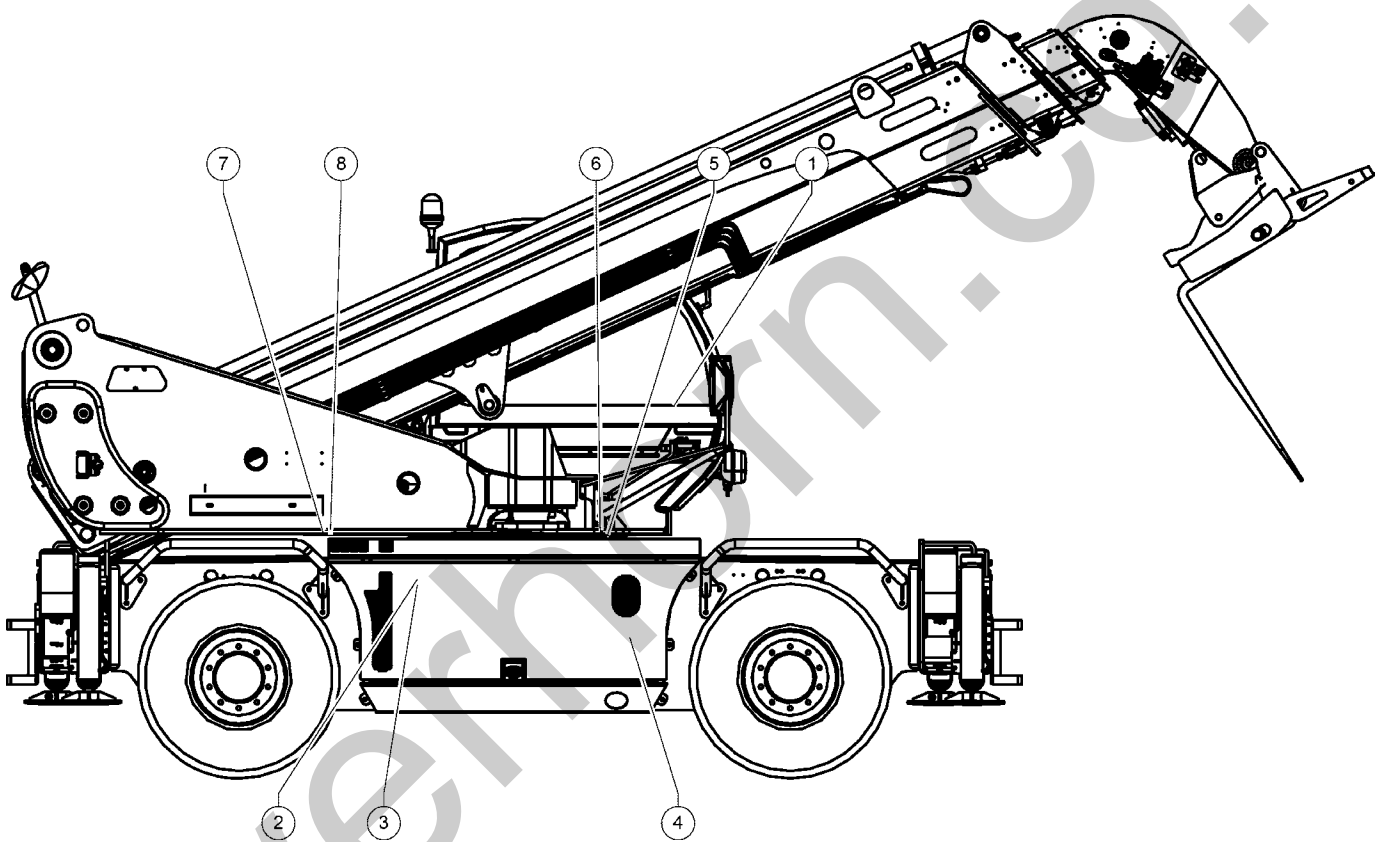
Model(s) _____ Serial No.(s) _____
Optional Equipment _____

Part Number	Description	Quantity	Price

All back-ordered parts will be shipped when available via the same ship method as the original order unless Noted below:

- Ship complete order only - No back orders
- Ship all available parts and contact customer on disposition of back-ordered parts
- Other (please specify)

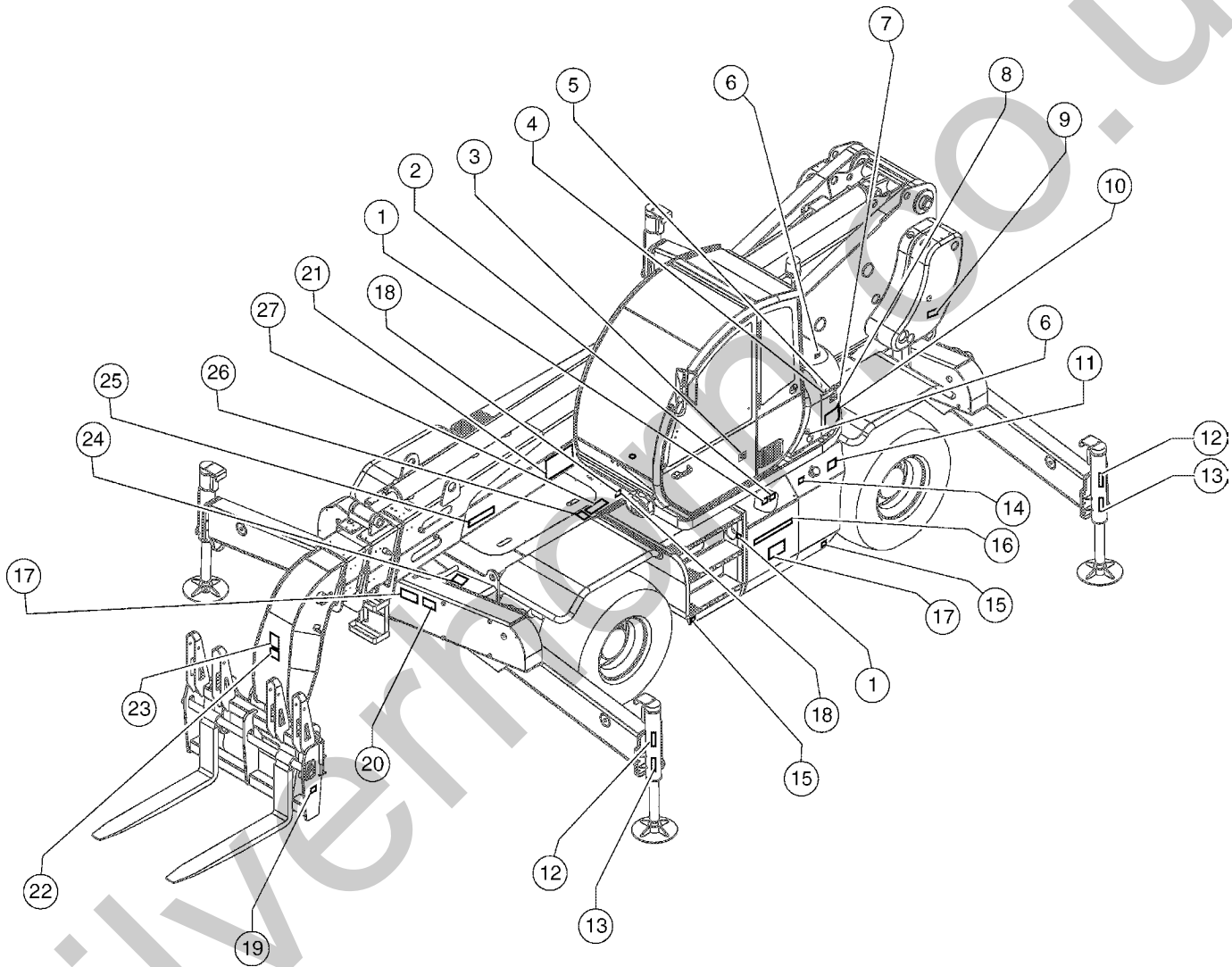
001.1 Parts Stocking List



Item	Part No.	Description	Qty.
1	57.0009.0607GT	OPERATOR'S MANUAL	
2	07.4501.0057GT	FILTER, DIESEL FUEL	
3	638243GT	Oil Filter	
4	07.4501.0163GT	Complete Diesel Prefilter	
5	07.4501.0191GT	Main Cartridge	
6	07.4501.0192GT	Main Cartridge	
7	07.0700.0023GT	OIL FILTER,CARTRIDGE	
8	09.4604.0000GT	FILTER, HYD. OIL TANK	

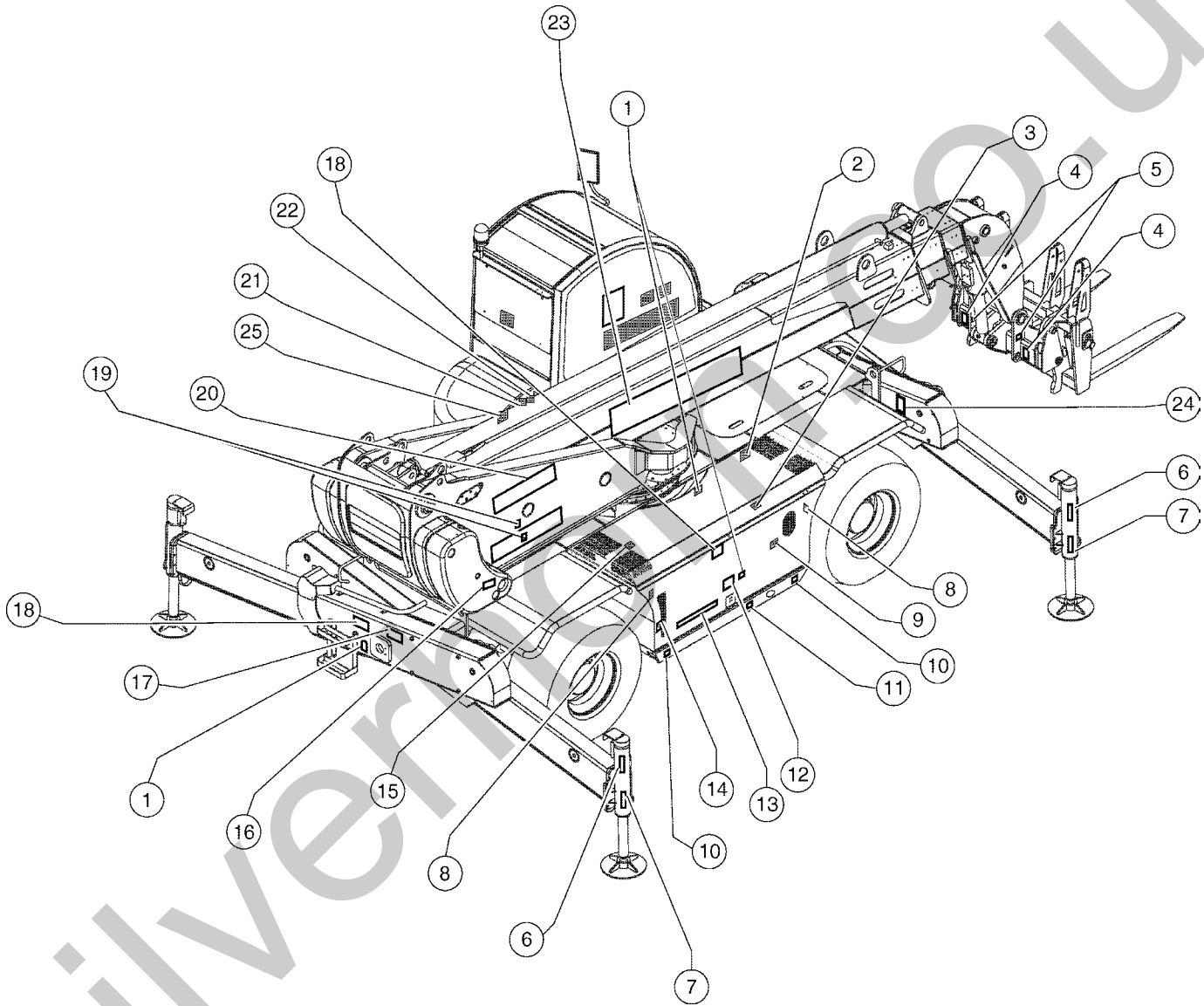
Silverhorn.CO.UK

101.1 608900 Decals, View 1



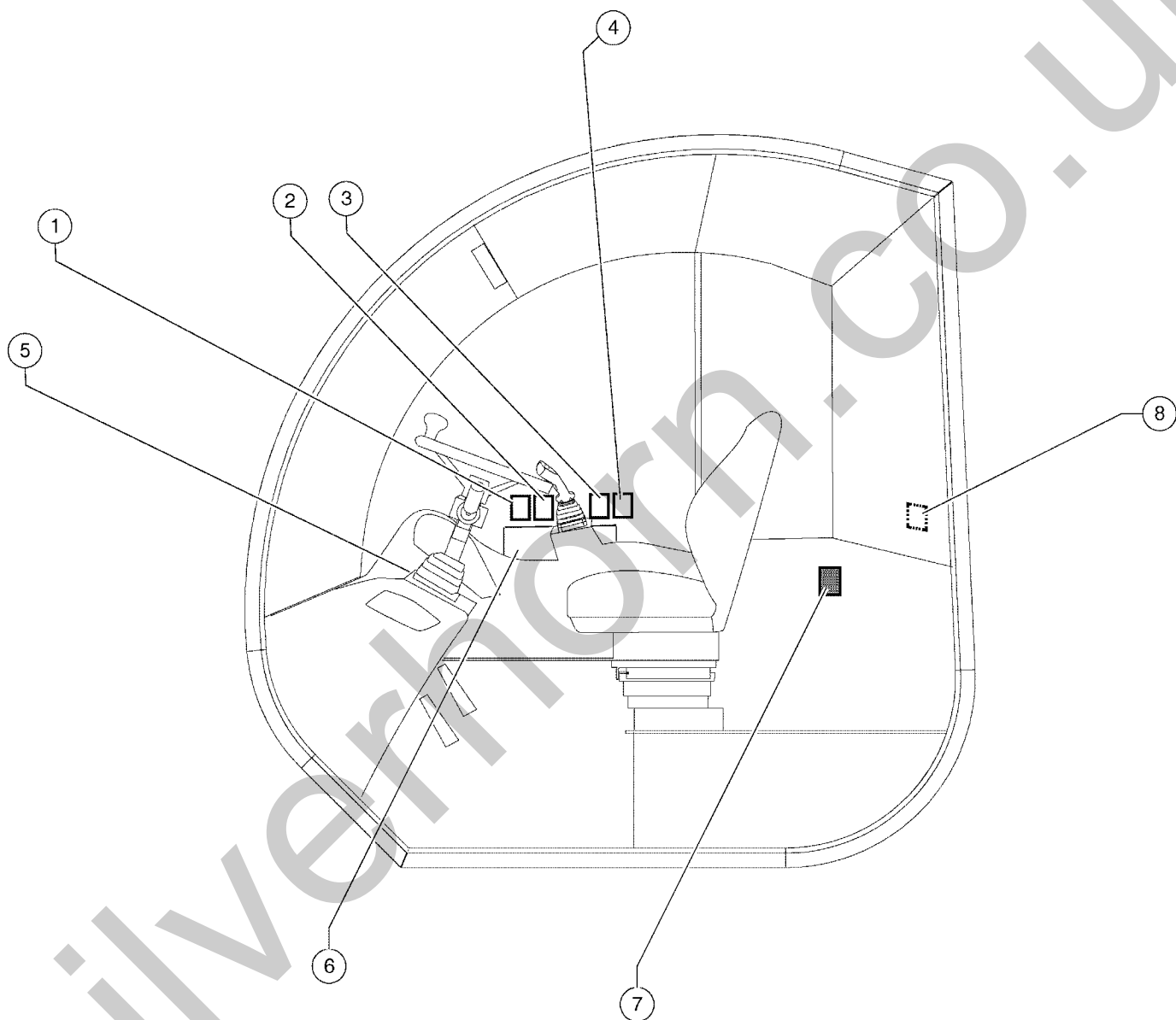
Item	Part No.	Description	Qty.
1	094618.1670GT	DECAL, HYDRAULIC OIL.....	2
2	094618.1419GT	DECAL, BIODEGRADABLE HYDRAULIC OIL.....	1
3	237721GT	DECAL, WARN, WEAR SEAT BELT.....	1
4	094618.1820GT	Decal - TP5 Testing Port.....	1
5	094618.1819GT	Decal - TP1 Testing Port.....	1
6	094618.1423GT	DECAL, EXPLOSION HAZARD.....	2
7	094618.1821GT	Decal - TP8 Testing Port.....	1
8	094618.1740GT	Decal - Main Valve Manual Use.....	1
9	094618.1120GT	Decal - Crush Hazard.....	1
10	094618.1693GT	Cosmetic - GENIE Logo WHITE.....	1
11	215645GT	DECAL, DANGER, EXPLOSION/BURN, DI.	1
12	094618.1675GT	Decal - Outrigger Max Pressure 4,6KG/CM2.....	2
13	094618.1673GT	Decal - Stay Away From Outrigger.....	2
14	28159GT	DECAL, LABEL, DIESEL FUEL..... <i>Only For Stage 3A Engine</i>	1
15	094618.1676GT	Decal - Tyre Inflat. P=7.5bar.....	2
16	094618.1594GT	Cosmetic - GENIE GTH-5021 R 39x4.....	1
17	215646GT	DECAL, 2 DECAL COMBO.....	2
18	094618.1827GT	Decal - No washing Electrical Joint.....	2
19	094618.1398GT	DECAL, SAFETY PIN.....	1
20	237720GT	DECAL, BODYCRUSH, ROLLING MACHINE.....	1
21	094618.1840GT	Cosmetic - GENIE Logo WHITE.....	1
22	094618.1375GT	DECAL, RESPECT THE TRUCK CAPACITY.....	1
23	215648GT	DECAL, FALL HAZARD.....	1
24	094618.1677GT	Decal - Lifting & Anchoring.....	1
25	094616.0010GT	Decal, Maximum Capacity 5000 Kg.....	1
26	094618.1264GT	Decal - Angle Indicator.....	1
27	094618.1263GT	Decal - Angle Indicator Scale.....	1

102.1 608901 Decals, View 2



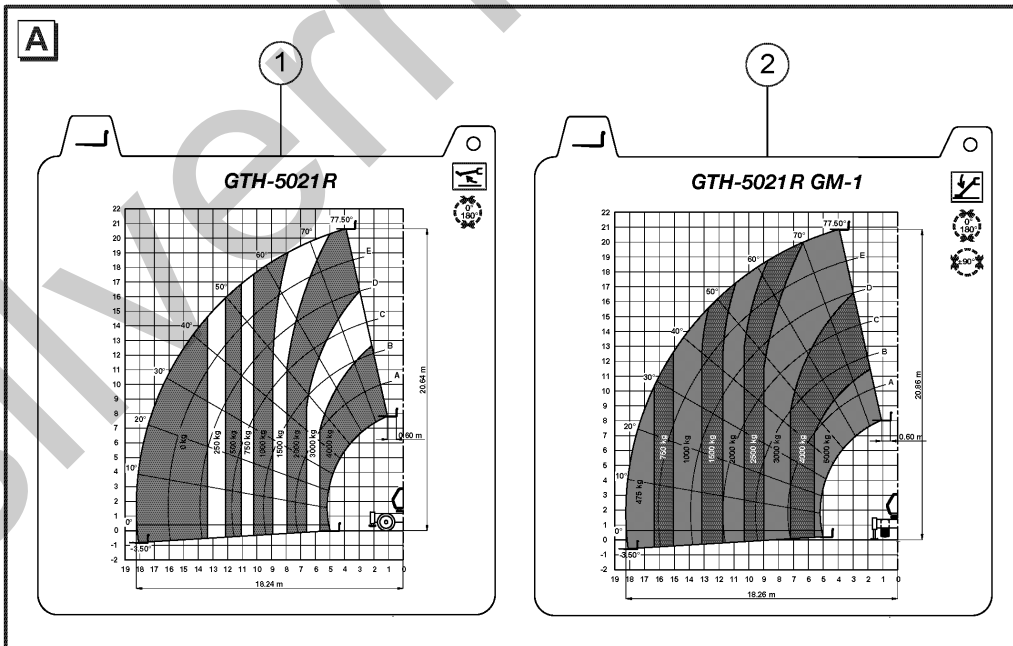
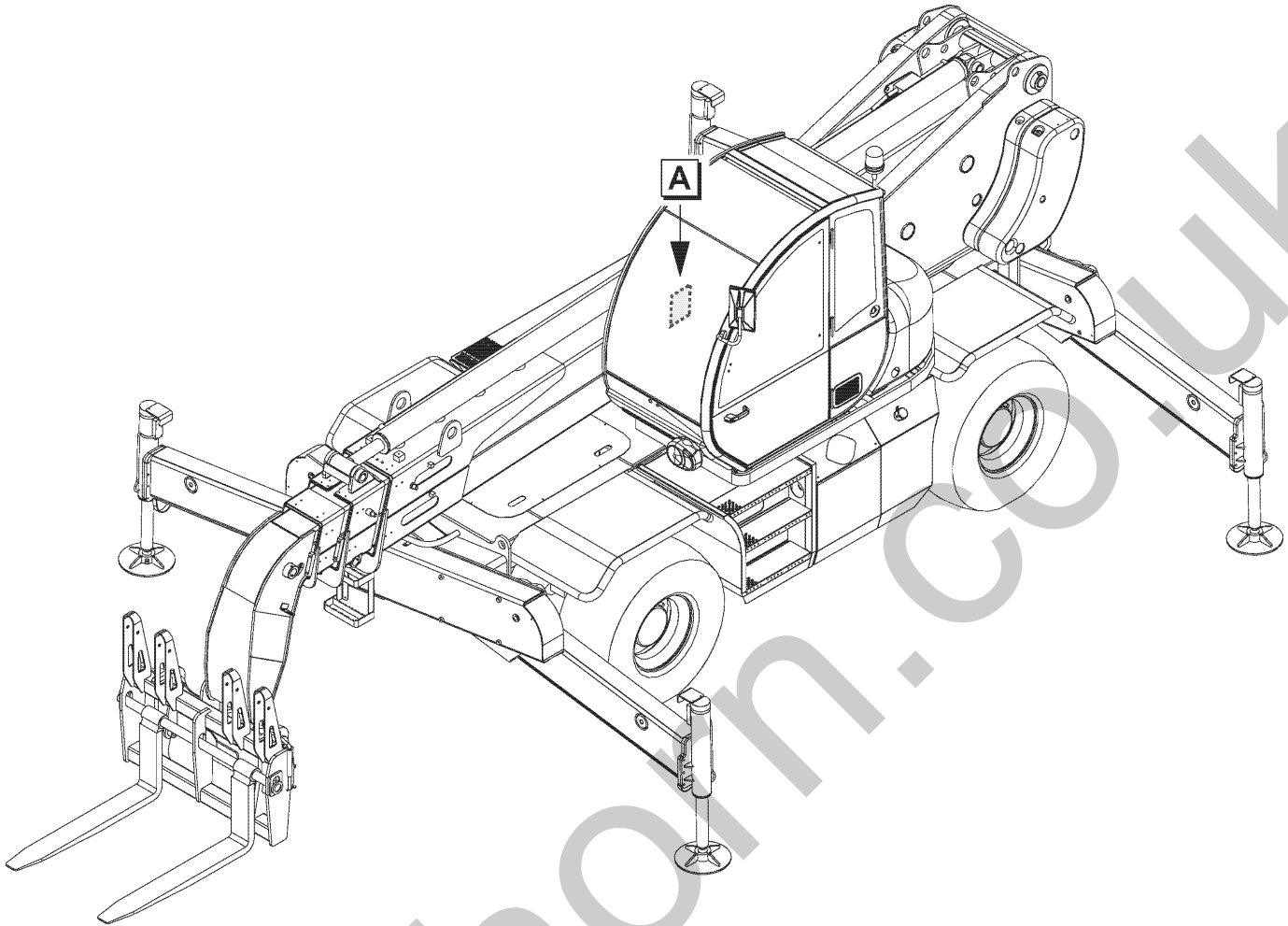
Item	Part No.	Description	Qty.
1	0946180923GT	DECAL,BURN HAZARD.....	3
2	0946180924GT	DECAL,BURN/EXPLOSION HAZARD....	1
3	0946181713GT	DECAL,DO NOT USE ETHER.....	1
4	0946180922GT	DECAL,CRUSH HAZARD.....	2
5	0946181458GT	DECAL,MAX CAPACITY.....	2
6	0946181675GT	Decal - Outrigger Max Pressure 4,6KG/CM2.....	2
7	0946181673GT	Decal - Stay Away From Outrigger.....	2
8	0946181051GT	Decal - Engine Cover Opening.....	2
9	0946181189GT	Decal - Testing Ports GTH-4016 SR.....	1
10	0946181676GT	Decal - Tyre Inflat. P=7.5bar.....	2
11	0946181678GT	DECAL,BATTERY CUT-OUT SWITCH....	1
12	0946180920GT	DECAL,COMPARTMENT ACCESS.....	1
13	0946181593GT	Cosmetic - GENIE GTH-5021 R 70X7.....	1
14	0946180986GT	DECAL, CRUSH HAZARD.....	1
15	237726GT	DECAL,WARN,EXPLOSION/BURN HAZARD.....	1
16	0946181120GT	Decal - Crush Hazard.....	1
17	237720GT	DECAL,BODYCRUSH,ROLLING MACHINE.....	1
18	215646GT	DECAL, 2 DECAL COMBO.....	2
19	0946181674GT	DECAL,SAFETY COLLAR.....	2
20	0946180243GT	Cosmetic - GENIE Logo WHITE.....	1
21	0946181769GT	Decal - Lock.....	1
22	0946181770GT	Decal - Unlock.....	1
23	0946181837GT	Cosmetic - GENIE Logo WHITE.....	1
24	1272242GT	DECAL,MACHINE REGISTRATION/OWNER TRANSFER....	1
25	0946182015GT	CONTROLS ELECTRIC EMERGENCY DECAL.....	1

103.1 608902 Decals, View 3



Item	Part No.	Description	Qty.
1	09.4618.1694GT	Decal - Right Control Lever.....	1
2	09.4618.1695GT	DECAL,QUICK GUIDE.....	1
3	09.4618.1456GT	DECAL,LEFT JOYSTICK.....	1
4	09.4618.1457GT	DECAL,RIGHT JOYSTICK.....	1
5	09.4618.1645GT	DECAL,LOAD LIMITING SYSTEM DISABLING.....	1
6	09.4618.1679GT	DECAL,WARNINGS.....	1
7	09.4618.1399GT	DECAL,DOOR UNLOCK SYSTEM.....	1
8	09.4618.1418GT	DECAL,EMERGENCY EXIT.....	1

104.1 608903 Load Charts

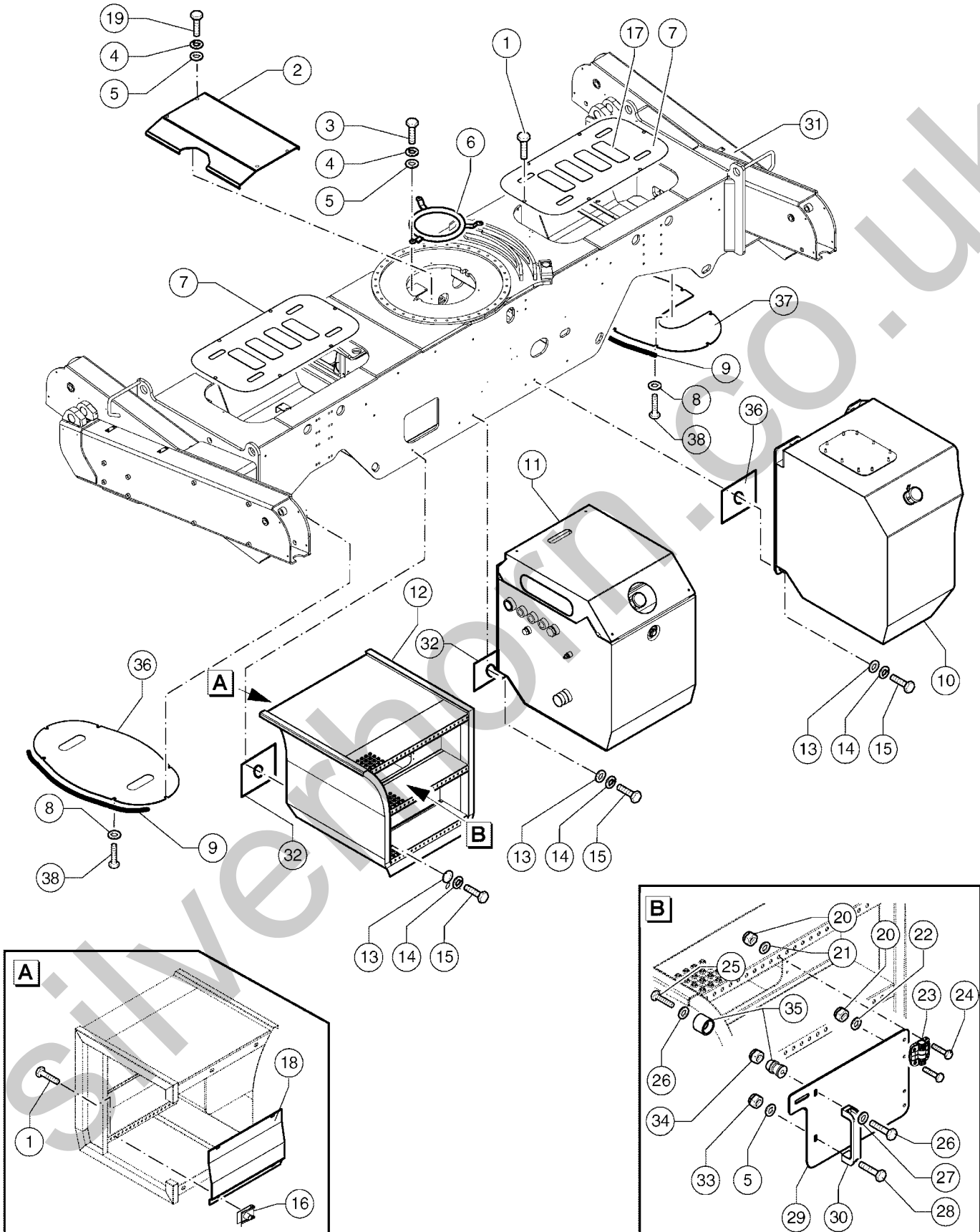


104.1 608903 Load Charts

Item	Part No.	Description	Qty.	Item	Part No.	Description	Qty.
1	55.0700.0053GT	Load Charts Standard KIT.....	1	2F	09.4618.1788GT	Load Chart - GM-1 PC 50 Hook, Side.....	1
1A	09.4618.1642GT	Load Chart - Fork, Front.....	1	2G	09.4618.1789GT	Load Chart - GM-1 PC 50 Hook, Used By Outriggers.....	1
1B	09.4618.1644GT	Load Chart - Fork, Side.....	1	2H	09.4618.1790GT	Load Chart - GM-1 HH3T Winch, Front....	1
1C	09.4618.1643GT	Load Chart - Fork, 360°, Used By Outriggers.....	1	2I	09.4618.1791GT	Load Chart - GM-1 HH3T Winch, Side....	1
1D	09.4618.1696GT	Load Chart - Hook, 360°, Used By Outriggers.....	1	2J	09.4618.1792GT	Load Chart - GM-1 HH3T Winch, Used By Outriggers.....	1
1E	09.4618.1697GT	Load Chart - Hook, Front.....	1	2K	09.4618.1793GT	Load Chart - GM-1 HH5T Winch, Front....	1
1F	09.4618.1698GT	Load Chart - Hook, Side.....	1	2L	09.4618.1794GT	Load Chart - GM-1 HH5T Winch, Side....	1
1G	09.4618.1699GT	Load Chart - 900Kg Winch, 360°, Used By Outriggers.....	1	2M	09.4618.1795GT	Load Chart - GM-1 HH5T Winch, Used By Outriggers.....	1
1H	09.4618.1700GT	Load Chart - 900Kg Winch, Front.....	1	2N	09.4618.1796GT	Load Chart - GM-1 4T Jib, Front.....	1
1I	09.4618.1701GT	Load Chart - 900Kg Winch, Side.....	1	2O	09.4618.1797GT	Load Chart - GM-1 4T Jib, Side.....	1
1J	09.4618.1702GT	Load Chart - 2000Kg Winch, 360°, Used By Outriggers.....	1	2P	09.4618.1798GT	Load Chart - GM-1 4T Jib, Used By Outriggers.....	1
1K	09.4618.1703GT	Load Chart - 2000Kg Winch, Front.....	1	2Q	09.4618.1799GT	Load Chart - GM-1 1200 Kg Jib, Front.....	1
1L	09.4618.1704GT	Load Chart - 2000kg Winch, Side.....	1	2R	09.4618.1800GT	Load Chart - GM-1 1200 Kg Jib, Side.....	1
1M	09.4618.1705GT	Load Chart - 4000kg Winch, 360°, Used By Outriggers.....	1	2S	09.4618.1801GT	Load Chart - GM-1 1200 Kg Jib, Used By Outriggers.....	1
1N	09.4618.1706GT	Load Chart - 4000kg Winch, Front.....	1	2T	09.4618.1802GT	Load Chart - GM-1 6T Jib, Front.....	1
1O	09.4618.1707GT	Load Chart - 4000kg Winch, Side.....	1	2U	09.4618.1803GT	Load Chart - GM-1 6T Jib, Side.....	1
1P	09.4618.1708GT	Load Chart - Bucket, 360°, Used By Outriggers.....	1	2V	09.4618.1804GT	Load Chart - GM-1 6T Jib, Used By Outriggers.....	1
1Q	09.4618.1709GT	Load Chart - Bucket, Front.....	1	2W	09.4618.1805GT	Load Chart - GM-1 1600 Kg Jib, Front....	1
1R	09.4618.1710GT	Load Chart - Bucket, Side.....	1	2X	09.4618.1806GT	Load Chart - GM-1 1600 Kg Jib, Side....	1
1S	09.4618.1889GT	Load Chart - 5000kg Winch, Front.....	1	2Y	09.4618.1807GT	Load Chart - GM-1 1600 Kg Jib, Used By Outriggers.....	1
1T	09.4618.1890GT	Load Chart - 5000kg Winch, Side.....	1	2Z	09.4618.1808GT	Load Chart - GM-1 P 2000 Jib, Front.....	1
1U	09.4618.1891GT	Load Chart - 5000kg Winch, 360°, Used By Outriggers.....	1	2AA	09.4618.1809GT	Load Chart - GM-1 P 2000 Jib, Side.....	1
1V	09.4618.1884GT	Load Chart - Fork Side Shift And Positioner, Front.....	1	2AB	09.4618.1810GT	Load Chart - GM-1 P 2000 Jib, Used By Outriggers.....	1
1W	09.4618.1885GT	Load Chart - Fork Side Shift And Positioner, Side.....	1	2AC	09.4618.1811GT	Load Chart - GM-1 PT 2000 Jib, Front....	1
1X	09.4618.1886GT	Load Chart - Fork Side Shift And Positioner, 360° Used By Outriggers.....	1	2AD	09.4618.1812GT	Load Chart - GM-1 PT 2000 Jib, Side....	1
1Y	09.4618.1920GT	Load Chart - 2P300 F Manplatform, Used By Outriggers (for NOT EU Market).....	1	2AE	09.4618.1813GT	Load Chart - GM-1 PT 2000 Jib, Used By Outriggers.....	1
1Z	09.4618.1921GT	Load Chart - 3P 700 REM4400 Manplatform, Used By Outriggers (for NOT EU Market).....	1	2AF	09.4618.1814GT	Load Chart - GM-1 1000LT Bucket, Front.....	1
2	55.0700.0083GT	Load Charts GM-1 Articulation KIT.....	1	2AG	09.4618.1815GT	Load Chart - GM-1 1000LT Bucket, Side.....	1
2A	09.4618.1783GT	Load Chart - GM-1 Fork, 360°, Used By Outriggers.....	1	2AH	09.4618.1816GT	Load Chart - GM-1 1000LT Bucket, Used By Outriggers.....	1
2B	09.4618.1784GT	Load Chart - GM-1 PC 40 Hook, Front....	1				
2C	09.4618.1785GT	Load Chart - GM-1 PC 40 Hook, Side.....	1				
2D	09.4618.1786GT	Load Chart - GM-1 PC 40 Hook, Used By Outriggers.....	1				
2E	09.4618.1787GT	Load Chart - GM-1 PC 50 Hook, Front....	1				



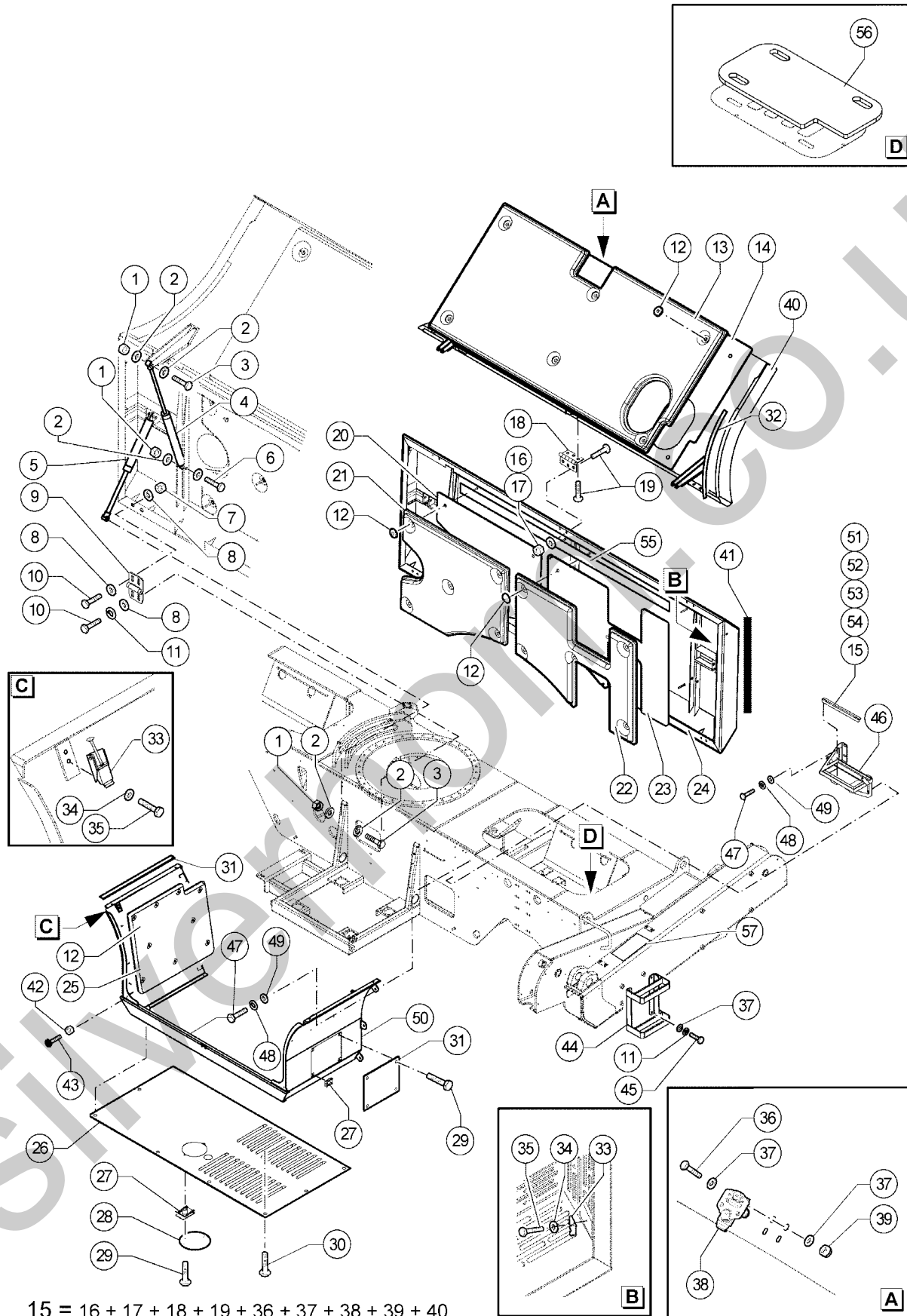
201.1 608905 Basic Frame Chassis



201.1 608905 Basic Frame Chassis

Item	Part No.	Description	Qty.
1	01.4001.0078GT	SCREW M8X20 DIN 6923 8.8 ZN.....	24
2	51.0903.4941GT	Carter.....	1
3	01.0001.0254GT	SCREW M8X20 UNI 5739 8.8 ZN.....	3
4	01.4032.0003GT	SPRING WASHER D8 ZN.....	7
5	01.0031.0055GT	FLAT WASHER D8 UNI 6592 ZN.....	7
6	51.0811.4063GT	Hose Support.....	1
7	51.0903.5164GT	Carter.....	2
8	01.0031.0299GT	FLAT WASHER D8 UNI 6593 ZN.....	14
9	09.0803.0147GT	GASKET,ADHESIVE.....	3.5-m
10	55.0250.0019GT	Complete Diesel Tank.....	1
11	55.0240.0051GT	Complete Hydraulic Oil Tank.....	1
12	55.0409.0139GT	Complete Ladder.....	1
13	01.4031.0002GT	FLAT WASHER D14 UNI 6593 ZN.....	12
14	01.4032.0006GT	SPRING WASHER D14 ZN.....	12
15	01.0001.0604GT	SCREW M14X30 UNI 5739 8.8 ZN.....	12
16	09.0803.0352GT	SPRING CLIP M8.....	4
17	53.3303.0000GT	ADHESIVE BAND.....	5-m
18	51.0903.4911GT	Carter.....	1
19	01.4001.0038GT	Screw TE M 8X12 UNI 5739 8.8 ZN.....	4
20	01.0023.0052GT	STOP NUT M5 UNI 7473 6S ZN.....	8
21	01.0031.0053GT	FLAT WASHER D5 UNI 6592 ZN.....	4
22	01.0031.0303GT	Washer D5.....	4
23	09.0803.0278GT	Hinge.....	2
24	01.4001.0062GT	SCREW M5X20 UNI 7687 ZN.....	8
25	01.0001.0154GT	SCREW M6X16 UNI 5739 8.8 ZN.....	1
26	01.0031.0054GT	FLAT WASHER D6 UNI 6592 ZN.....	3
27	01.0003.0160GT	SCREW M6X40 UNI 5931 8.8 ZN.....	1
28	01.0003.0205GT	SCREW M8X25 UNI 5931 8.8 ZN.....	1
29	51.0903.4910GT	COVER.....	1
30	09.0803.0002GT	Handle.....	1
31	51.0113.9072GT	Chassis.....	1
32	53.3302.0029GT	SHIM.....	12
33	01.0023.0054GT	NUT,M8 UNI 7473 6S ZN.....	1
34	01.0023.0053GT	STOP NUT M6 UNI 7473 6S ZN.....	1
35	09.4670.0000GT	KIT,DOOR LOCK.....	1
36	51.0903.5166GT	COVER.....	1
37	51.0903.5223GT	COVER.....	1
38	01.4001.0106GT	SCREW M6X16 DIN 6923 8.8 ZN.....	14

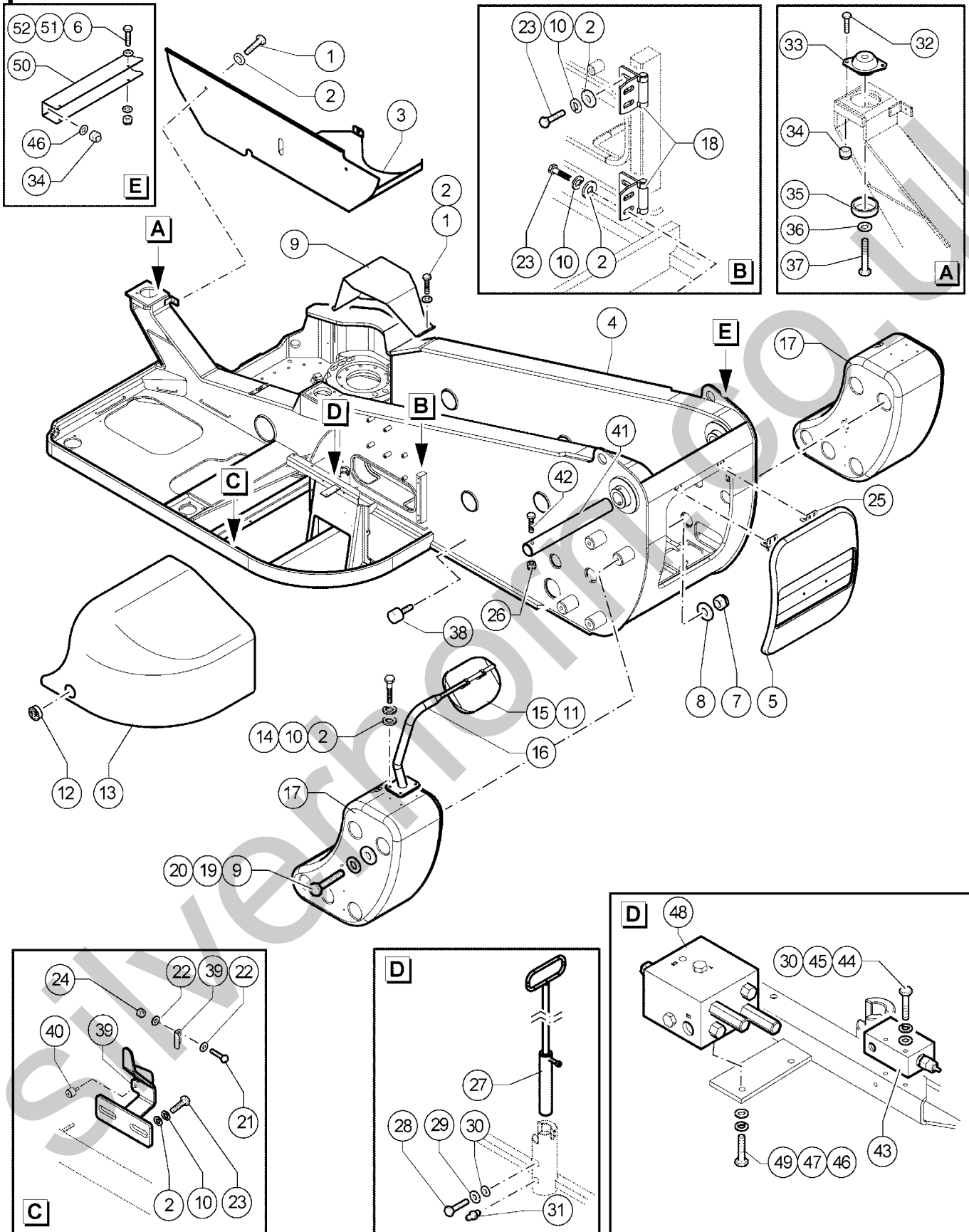
202.1 608906 Engine Casing Unit



202.1 608906 Engine Casing Unit

Item	Part No.	Description	Qty.	Item	Part No.	Description	Qty.
1	01.0023.0055GT	NUT,STOP,M10 UNI 7473 6S ZN.....	8	44	51.0811.4629GT	Schassis Ladder.....	1
2	01.0031.0056GT	FLAT WASHER D10 UNI 6592 ZN.....	16	45	01.0001.0256GT	SCREW M8X25 UNI 5739 8.8 ZN.....	4
3	01.0001.0358GT	SCREW M10X40 UNI 5739 8.8 ZN.....	4	46	51.0811.4439GT	Battery Support.....	1
4	09.0803.0501GT	GAS STRUT.....	2	47	01.0001.0355GT	SCREW M10X25 UNI 5739 8.8 ZN.....	10
5	09.0803.0502GT	Gas Cylinder.....	2	48	01.4032.0004GT	SPRING WASHER D10 ZN.....	10
6	01.0001.0304GT	SCREW M10X50 UNI 5739 8.8 ZN.....	4	49	01.0031.0301GT	FLAT WASHER D10 UNI 6593 ZN.....	10
7	01.0023.0054GT	NUT,M8 UNI 7473 6S ZN.....	6	50	51.0903.5029GT	Engine Cover.....	1
8	01.0031.0299GT	FLAT WASHER D8 UNI 6593 ZN.....	20	51	51.0811.4230GT	ROD,BATTERY HOLD DOWN.....	2
9	09.0803.0000GT	Hinge.....	2	52	51.0811.4351GT	BRACKET,BATTERY LOCKING.....	1
10	01.0001.0254GT	SCREW M8X20 UNI 5739 8.8 ZN.....	8	53	01.4023.0010GT	NUT, WING, M6 UNI 7473-7474 6S.....	2
11	01.4032.0003GT	SPRING WASHER D8 ZN.....	8	54	01.4032.0002GT	SPRING WASHER D6 ZN.....	2
12	09.0803.0235GT	Clip.....	24	55	09.0804.3408GT	Vibration Damper Panel.....	1
13	09.0804.3403GT	SOUNDPROOFING PANEL.....	1	56	09.0803.0702GT	Soundproofing Panel.....	2
14	09.0804.3409GT	SOUNDPROOFING PANEL.....	1	57	53.3303.0000GT	ADHESIVE BAND.....	2-m
15	01.0031.0298GT	FLAT WASHER D6 UNI 6593 ZN.....	2				
16	01.0023.0053GT	STOP NUT M6 UNI 7473 6S ZN.....	12				
17	01.0031.0298GT	FLAT WASHER D6 UNI 6593 ZN.....	12				
18	09.0803.0395GT	HINGE.....	3				
19	01.4001.0106GT	SCREW M6X16 DIN 6923 8.8 ZN.....	12				
20	09.0804.3406GT	Vibration Damper Panel.....	1				
21	09.0804.3405GT	SOUNDPROOFING PANEL.....	1				
22	09.0804.3402GT	SOUNDPROOFING PANEL.....	1				
23	09.0804.3404GT	SOUNDPROOFING PANEL.....	1				
24	51.0903.5034GT	Engine Upper Carter.....	1				
25	09.0804.3407GT	SOUNDPROOFING PANEL.....	1				
26	51.0903.5031GT	Engine Base Carter.....	1				
27	09.0803.0516GT	SPRING CLIP M6.....	6				
28	51.0903.4920GT	COVER.....	1				
29	01.4001.0106GT	SCREW M6X16 DIN 6923 8.8 ZN.....	8				
30	01.4001.0078GT	SCREW M8X20 DIN 6923 8.8 ZN.....	8				
31	51.0903.4912GT	Engine Carter Cap.....	1				
32	09.0803.0801GT	Gasket Strip.....	3.4-m				
33	09.0803.0609GT	Lever Lock.....	2				
34	01.0001.0100GT	WASHER D4 UNI 6592 ZN.....	8				
35	01.0003.0947GT	SCREW M4X10 UNI 5931 8.8 ZN.....	8				
36	01.0001.1538GT	SCREW M5X16 UNI5737 8.8 ZN.....	4				
37	01.0031.0053GT	FLAT WASHER D5 UNI 6592 ZN.....	8				
38	09.0803.0023GT	Lock.....	1				
39	01.0023.0052GT	STOP NUT M5 UNI 7473 6S ZN.....	4				
40	51.0903.5030GT	Engine Lateral Carter.....	1				
41	53.3303.0001GT	Adhesive Antislip 305 mm X 1,5 m.....	1				
42	01.0019.0103GT	NUT M6 UNI 5588 6S ZN.....	2				
43	09.0803.0363GT	Damping.....	2				

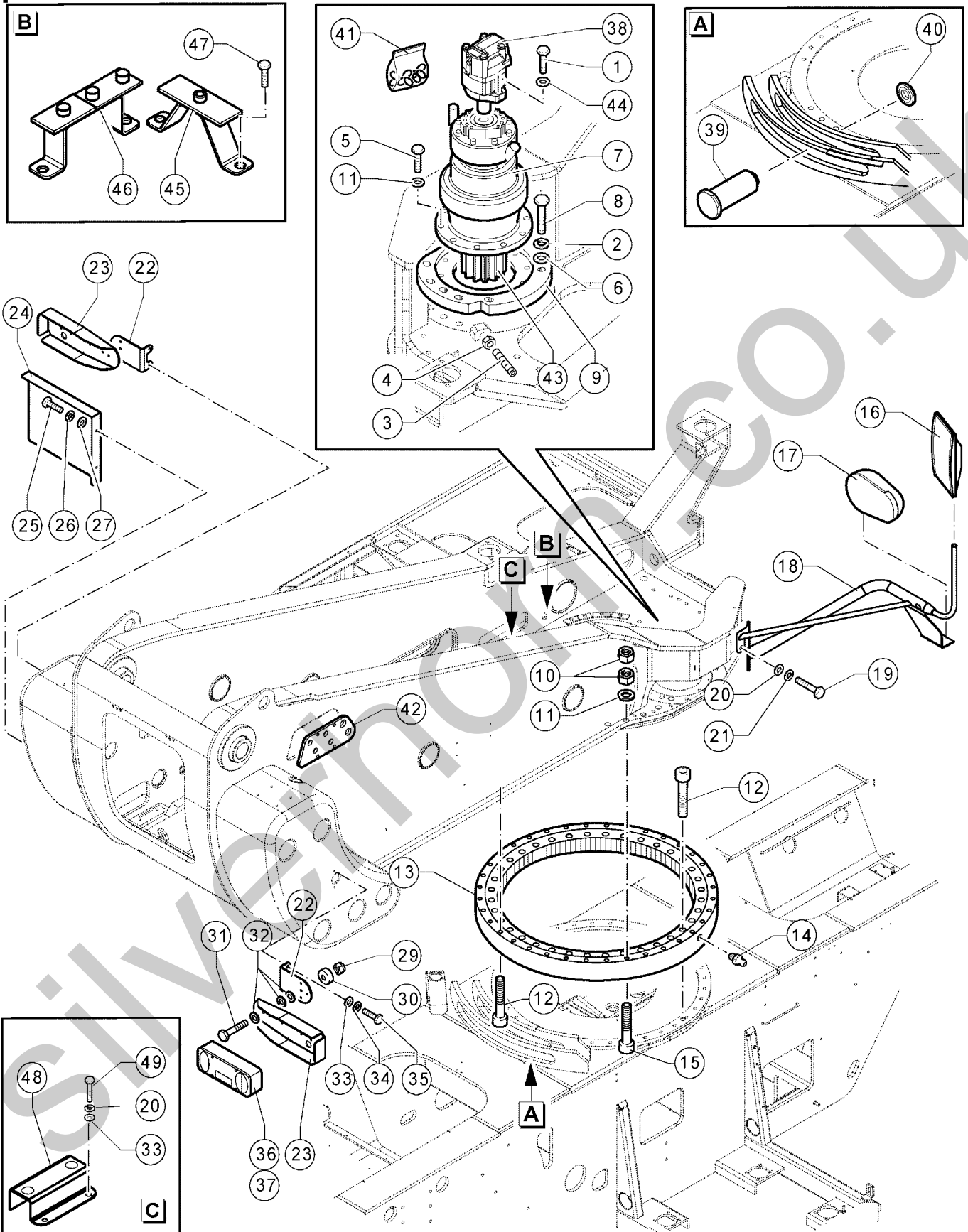
203.1 608907 Slewing Upper Structure - View 1



203.1 608907 Slewing Upper Structure - View 1

Item	Part No.	Description	Qty.	Item	Part No.	Description	Qty.
1	01.4001.0078GT	SCREW M8X20 DIN 6923 8.8 ZN.....	4	44	01.0001.0106GT	SCREW M6X50 UNI 5737 8.8 ZN.....	2
2	01.0031.0299GT	FLAT WASHER D8 UNI 6593 ZN.....	32	45	01.4032.0002GT	SPRING WASHER D6 ZN.....	2
3	51.0903.5168GT	Cover.....	1	46	01.0031.0056GT	FLAT WASHER D10 UNI 6592 ZN.....	4
4	51.0113.9069GT	Turnable Table Assy.....	1	47	01.0001.0355GT	SCREW M10X25 UNI 5739 8.8 ZN.....	2
5	52.1100.9114GT	Rear Turret Turnable Cover.....	1	48	04.4239.0031GT	SAFETY VALVE.....	1
6	01.0023.0054GT	NUT,M8 UNI 7473 6S ZN.....	2	49	01.4032.0004GT	SPRING WASHER D10 ZN.....	2
7	01.4023.0000GT	STOP NUT M22 UNI 7473 6S ZN.....	4	50	51.1301.9151GT	Lift Cylinder Security Bracket.....	1
8	01.4031.0008GT	FLAT WASHER D22 UNI 6593.....	8	51	01.0031.0055GT	FLAT WASHER D8 UNI 6592 ZN.....	4
9	51.0903.5157GT	Turnable Table Gear Box Cover.....	1	52	01.4001.0034GT	SCREW TE M8X120 UNI 5737 8.8 ZN...2	2
10	01.4032.0003GT	SPRING WASHER D8 ZN.....	18				
11	09.0803.0651GT	LOCK CLIP.....	2				
12	09.0803.0704GT	Chassis lock kit.....	1				
13	52.1100.9124GT	COVER,MAIN VALVE.....	1				
14	01.0001.0258GT	SCREW M8X35 UNI 5739 8.8 ZN.....	4				
15	09.4610.0033GT	MIRROR,CONVEX.....	1				
16	51.0811.4633GT	Rear view mirror support.....	1				
17	51.1000.5213GT	Counterweight.....	2				
18	09.0803.0000GT	Hinge.....	2				
19	01.0031.0062GT	FLAT WASHER D22 UNI 6592 ZN.....	4				
20	01.4001.0094GT	Screw TE M22X210 UNI 5737 8.8ZN....	4				
21	01.0001.1438GT	SCREW M5X20 UNI 5739 8.8 ZN.....	2				
22	01.0031.0053GT	FLAT WASHER D5 UNI 6592 ZN.....	4				
23	01.0001.0254GT	SCREW M8X20 UNI 5739 8.8 ZN.....	10				
24	01.0023.0052GT	STOP NUT M5 UNI 7473 6S ZN.....	2				
25	09.0803.0395GT	HINGE.....	2				
26	01.0023.0057GT	STOP NUT M14 UNI 7473 6S ZN.....	1				
27	54.0004.0111GT	Turret lock pin.....	1				
28	01.0001.0154GT	SCREW M6X16 UNI 5739 8.8 ZN.....	1				
29	01.0031.0298GT	FLAT WASHER D6 UNI 6593 ZN.....	1				
30	01.0031.0054GT	FLAT WASHER D6 UNI 6592 ZN.....	3				
31	02.0117.0051GT	GREASE NIPPLE M6.....	1				
32	01.0001.0358GT	SCREW M10X40 UNI 5739 8.8 ZN.....	8				
33	09.4670.0032GT	VIBRATION DAMPING.....	4				
34	01.0023.0055GT	NUT,STOP,M10 UNI 7473 6S ZN.....	10				
35	54.0100.0020GT	VIBRATION DAMPING SUPPORT.....	4				
36	01.4032.0007GT	SPRING WASHER D16 ZN.....	4				
37	01.0001.0657GT	Screw TE M16X80 UNI 5737 8.8 ZN....	4				
38	09.4670.0015GT	Vibration Damping.....	1				
39	51.0811.4572GT	LOCKING BRACKET.....	1				
40	09.4670.0014GT	Vibration Damping.....	1				
41	54.0003.0175GT	Boom Turret Pin.....	1				
42	01.0001.0564GT	SCREW,TE,M14X130 UNI 8.8 ZN.....	1				
43	04.4225.0003GT	VALVE.....	1				

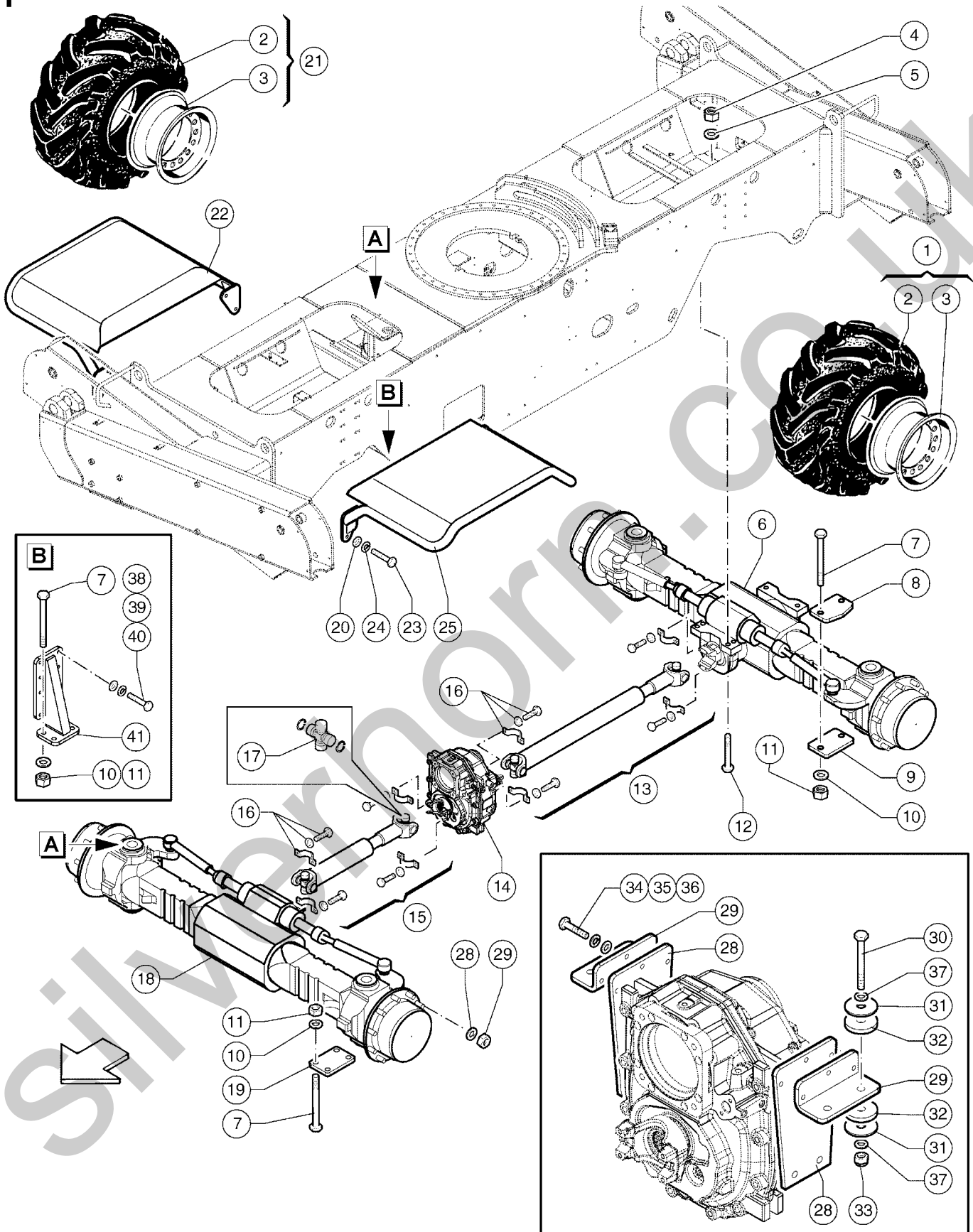
204.1 608908 Slewing Upper Structure - View 2



204.1 608908 Slewing Upper Structure - View 2

Item	Part No.	Description	Qty.	Item	Part No.	Description	Qty.
1	01.0001.0507GT	SCREW M12X35 UNI 5739 8.8 ZN.....	2	44	01.4032.0005GT	SPRING WASHER D12 ZN.....	2
2	01.4032.0008GT	Spring Washer D 18 ZN RNFT.....	9	45	51.0811.4702GT	SUPPORT.....	1
3	01.4041.0021GT	Screw M 20 X 100 UNI 5923.....	1	46	51.0811.4723GT	PLATE SUPPORT.....	1
4	01.0019.0185GT	NUT M20 UNI 5587 6S ZN.....	1	47	01.4001.0078GT	SCREW M8X20 DIN 6923 8.8 ZN.....	4
5	01.4001.0069GT	SCREW M16X40 UNI 5737 10.9 ZN.....	10	48	51.0903.5224GT	COVER.....	1
6	01.0031.0099GT	FLAT WASHER D16 UNI 5714 ZN.....	9	49	01.0001.0252GT	SCREW M8X16 UNI 5739 8.8 ZN.....	2
7	09.4633.0038GT	Gear Box.....	1				
8	01.4001.0191GT	Screw M.18 x 70 10.9 ZN UNI 5737.....	9				
9	51.0811.4609GT	Gear Box Adapter.....	1				
10	01.4019.0000GT	Nut M.16 UNI 5587 ZN.....	24				
11	01.0031.0099GT	FLAT WASHER D16 UNI 5714 ZN.....	22				
12	01.4003.0003GT	SCREW.....	60				
13	03.4175.0006GT	Footstep Bearing.....	1				
14	02.0117.0101GT	GREASE NIPPLE G 1/8.....	2				
15	01.4003.0004GT	Screw TCEI M.16X150 UNI 5931 12.9 ZN.....	12				
16	09.4610.0032GT	MIRROR.....	1				
17		See 700 Electric Installation, Figure 608978 - Position 11					
18	51.0811.4632GT	Support.....	1				
19	01.0001.0258GT	SCREW M8X35 UNI 5739 8.8 ZN.....	4				
20	01.4032.0003GT	SPRING WASHER D8 ZN.....	6				
21	01.0031.0299GT	FLAT WASHER D8 UNI 6593 ZN.....	4				
22	51.0811.4631GT	REAR LIGHTS FIXED SUPPORT.....	2				
23	51.0811.4630GT	REAR LIGHTS SUPPORT.....	2				
24	51.0811.4019GT	License Plate Support.....	1				
25	01.0001.0156GT	SCREW M6X20 UNI 5739 8.8 ZN.....	2				
26	01.4032.0002GT	SPRING WASHER D6 ZN.....	10				
27	01.0031.0054GT	FLAT WASHER D6 UNI 6592 ZN.....	10				
29	01.0023.0055GT	NUT,STOP,M10 UNI 7473 6S ZN.....	2				
30	09.4670.0001GT	ISOLATOR,VIBRATION.....	2				
31	01.0001.0306GT	SCREW M10X60 UNI 5737 8.8 ZN.....	2				
32	01.0031.0301GT	FLAT WASHER D10 UNI 6593 ZN.....	6				
33	01.0031.0055GT	FLAT WASHER D8 UNI 6592 ZN.....	8				
34	01.4032.0003GT	SPRING WASHER D8 ZN.....	4				
35	01.0001.0256GT	SCREW M8X25 UNI 5739 8.8 ZN.....	4				
36	55.0602.0447GT	Right Rear Light.....	1				
37	55.0602.0448GT	Left Rear Light.....	1				
38	04.4235.0013GT	Hydraulic Motor.....	1				
39	54.0001.0062GT	Rotating Bearing Locking Pin.....	1				
40	54.0100.0091GT	Rotating Bearing Locking Pin Nut.....	1				
41	07.0706.0044GT	Seal Kit.....	1				
42	51.0811.4461GT	Fitting Plate Turret.....	1				
43	09.0803.0659GT	Pinion.....	1				

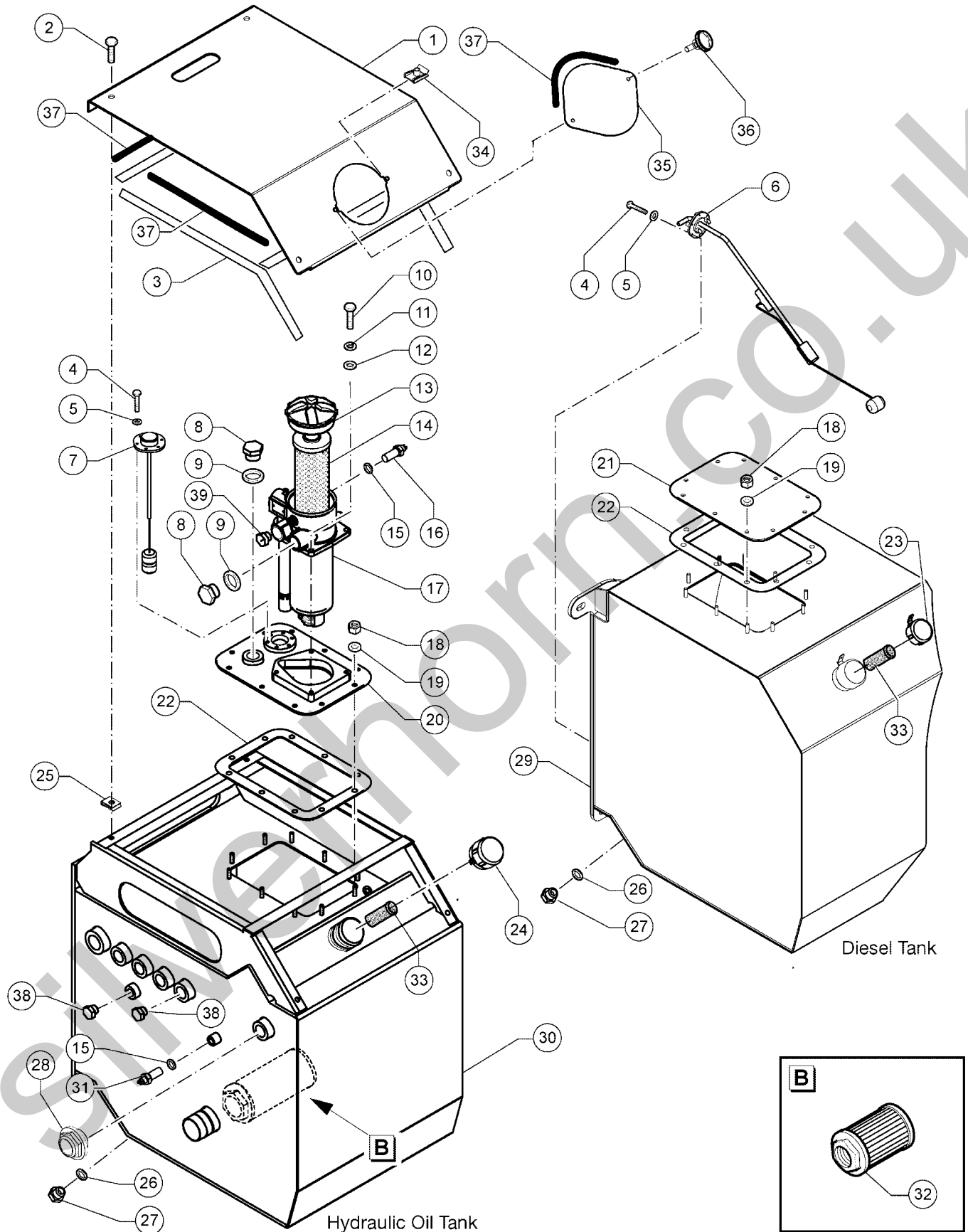
205.1 608909 Transmission And Wheels



205.1 608909 Transmission And Wheels

Item	Part No.	Description	Qty.	Item	Part No.	Description	Qty.
1	55.0403.0096GT	Complete Left Wheel 18" - Air Filled.....	2	38	01.4001.0092GT	SCREW M16X60 UNI 5737 10.9 ZN.....	16
1	55.0403.0097GT	Complete Left Wheel 18" - Mix Crumb Filled..... <i>Optional</i>	2	39	01.4032.0007GT	SPRING WASHER D16 ZN.....	16
2	09.4627.0035GT	Tyre..... <i>Only For Air Filled Wheel</i>	4	40	01.0031.0059GT	FLAT WASHER D16 UNI 6592 ZN.....	16
3	09.4629.0027GT	Rim..... <i>Only For Air Filled Wheel</i>	4	41	51.0811.4625GT	BRACKET.....	2
4	01.0023.0060GT	STOP NUT M20 UNI 7473 6S ZN.....	6				
5	01.0031.0061GT	FLAT WASHER D20 UNI 6592 ZN.....	6				
6	09.4632.0091GT	Rear Steering Axle.....	1				
7	01.4001.0100GT	Screw TE M24X280 UNI 5737 8.8 ZN.....	12				
8	51.0811.4628GT	Upper Plate.....	2				
9	51.0811.4627GT	Lower Plate.....	2				
10	01.0031.0063GT	FLAT WASHER D24 UNI 6592 ZN.....	12				
11	01.0023.0062GT	STOP NUT M24 UNI 7473 6S ZN.....	12				
12	01.4001.0053GT	Screw TE M20X100 UNI 5737 8.8ZN.....	6				
13	09.4635.0049GT	Complete Cardan Shaft.....	1				
14	09.4633.0034GT	Reduction Gear.....	1				
15	09.4635.0022GT	CARDAN SHAFT.....	1				
16	09.4635.0014GT	CARDAN SHAFT ASSY KIT.....	8				
17	07.0738.0000GT	Universal Joint Cross.....	4				
18	09.4632.0092GT	Front Steering Axle.....	1				
19	51.0811.4626GT	PLATE.....	2				
20	01.0031.0058GT	FLAT WASHER D14 UNI 6592 ZN.....	12				
21	55.0403.0080GT	Complete Right Wheel 18" - Air Filled.....	2				
21	55.0403.0087GT	Complete Right Wheel 18" - Mix Crumb Filled..... <i>Optional</i>	2				
22	51.0903.5158GT	Mudguard.....	2				
23	01.0001.0604GT	SCREW M14X30 UNI 5739 8.8 ZN.....	16				
24	01.4032.0006GT	SPRING WASHER D14 ZN.....	16				
25	51.0903.5159GT	Mudguard.....	2				
26	07.0711.0451GT	Washer.....	40				
27	07.0711.0452GT	Nut.....	40				
28	51.0811.4508GT	Reduction Gear Lateral Plate.....	2				
29	51.0811.4428GT	Reduction Gear Support.....	2				
30	01.4002.0006GT	Screw TE M 22x180 UNI 5737 8.8 ZN.....	4				
31	54.0100.0128GT	Washer D 110/23x8.....	8				
32	09.4670.0033GT	Reduction Gear Insulator.....	8				
33	01.4023.0000GT	STOP NUT M22 UNI 7473 6S ZN.....	4				
34	01.0001.1493GT	SCREW M14X45 UNI 5739 8.8 ZN.....	6				
35	01.4032.0006GT	SPRING WASHER D14 ZN.....	6				
36	01.0031.0058GT	FLAT WASHER D14 UNI 6592 ZN.....	6				
37	01.0031.0062GT	FLAT WASHER D22 UNI 6592 ZN.....	8				

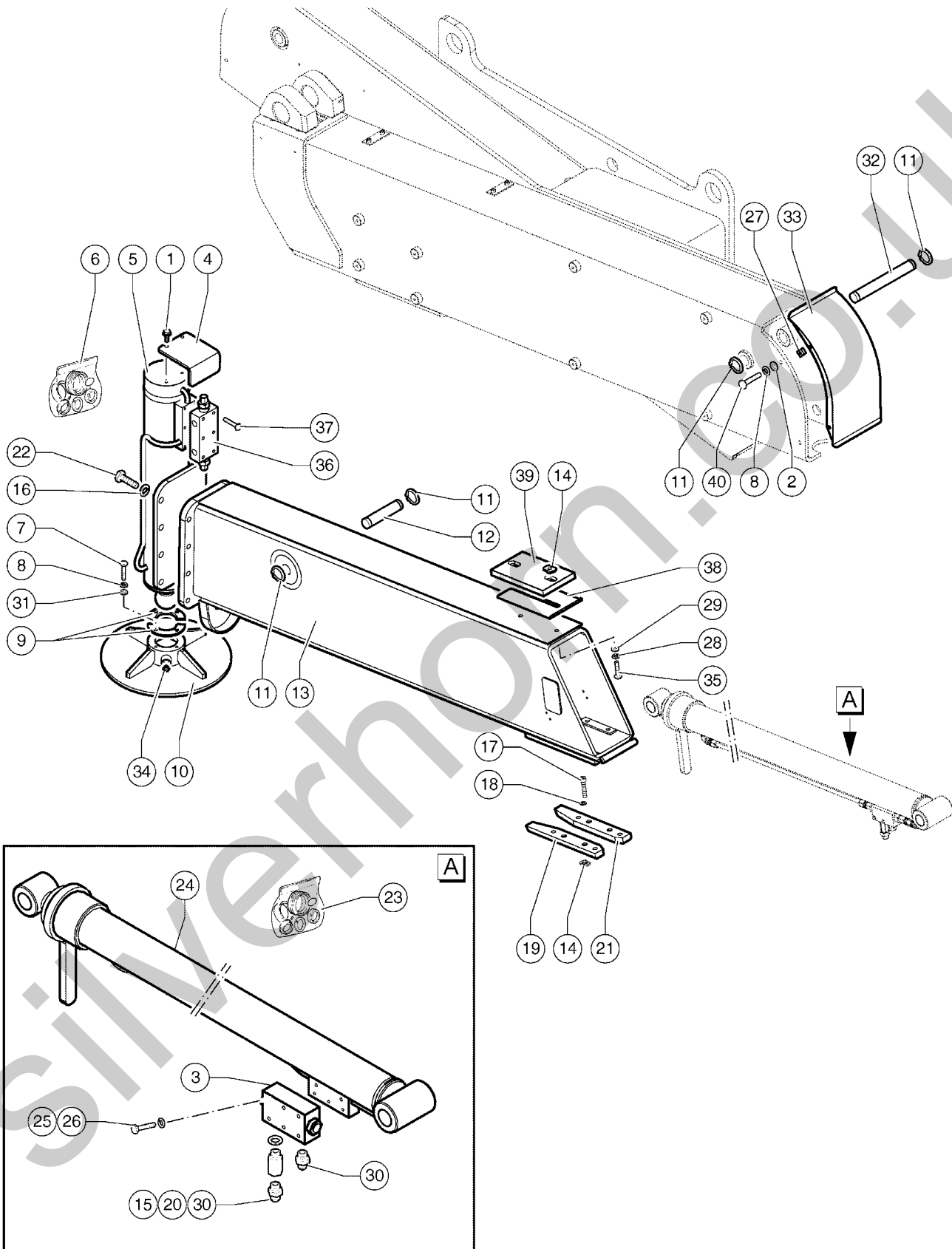
206.1 608910 Hydraulic oil And Diesel Tanks



206.1 608910 Hydraulic oil And Diesel Tanks

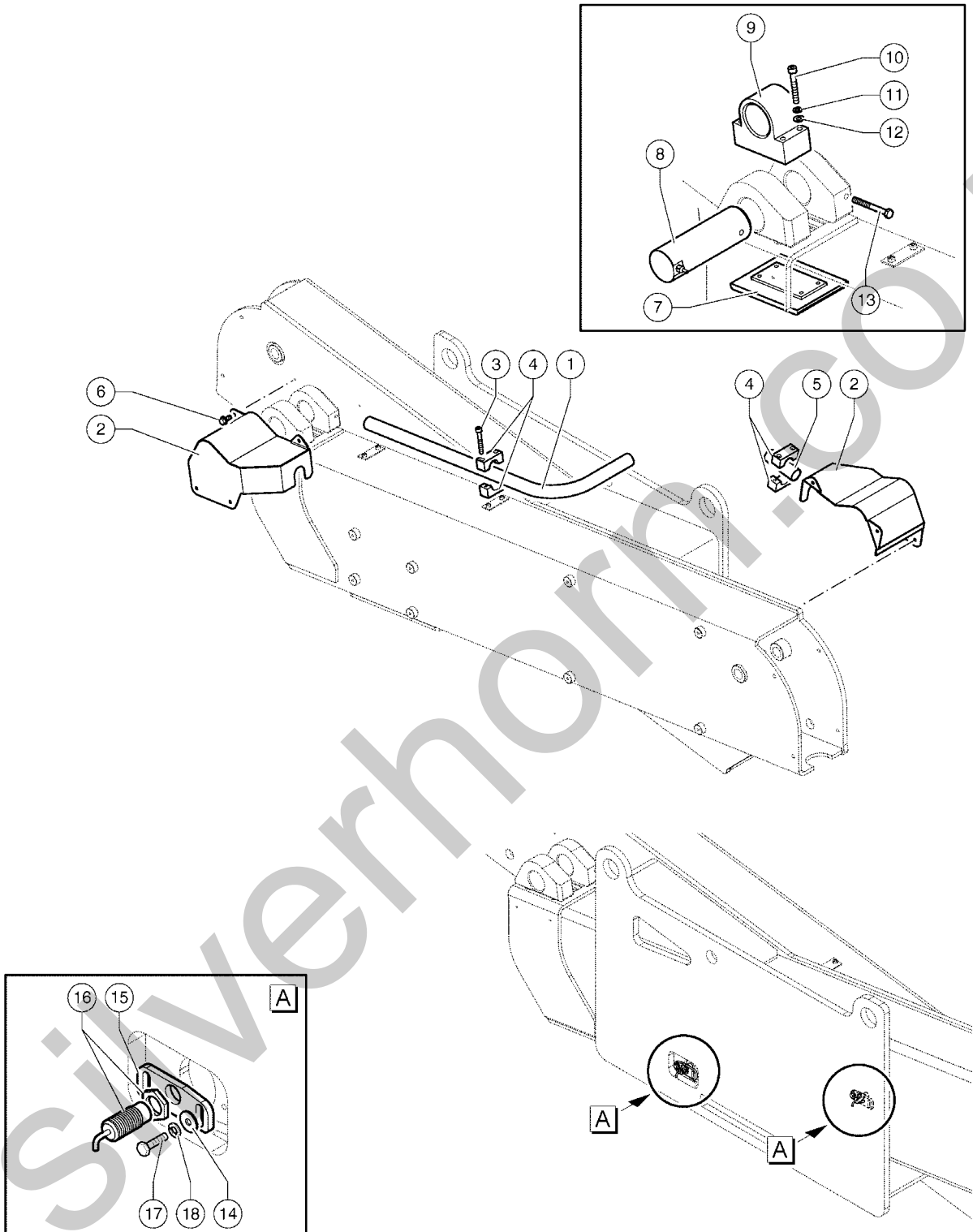
Item	Part No.	Description	Qty.
1	51.0903.4949GT	Carter.....	1
2	01.4001.0078GT	SCREW M8x20 DIN 6923 8.8 ZN.....	4
3	09.0803.0147GT	GASKET,ADHESIVE.....	2.2-m
4	01.0003.0947GT	SCREW M4X10 UNI 5931 8.8 ZN.....	12
5	01.0001.0100GT	WASHER D4 UNI 6592 ZN.....	12
6		See 700 Electric Installation, Figure 608977 - Position 6	
7		See 700 Electric Installation, Figure 608977 - Position 7	
8	04.0220.0063GT	PLUG 1 BSP.....	2
9	06.0442.0125GT	BONDED RING 1".....	2
10	01.0003.0255GT	SCREW M10X25 UNI 5931 8.8 ZN.....	4
11	01.4032.0004GT	SPRING WASHER D10 ZN.....	4
12	01.0031.0056GT	FLAT WASHER D10 UNI 6592 ZN.....	4
13	07.0700.0006GT	CAP,HYDRAULIC FILTER.....	1
14	07.0700.0023GT	OIL FILTER,CARTRIDGE.....	1
15	06.0442.0120GT	BONDED RING 3/8".....	2
16		See 700 Electric Installation, Figure 608977 - Position 8	
17	09.4604.0047GT	HYD OIL FILTER.....	1
18	01.0023.0054GT	NUT,M8 UNI 7473 6S ZN.....	20
19	01.0031.0055GT	FLAT WASHER D8 UNI 6592 ZN.....	20
20	51.0903.4903GT	Hydraulic Oil Tank Cover.....	1
21	51.0903.4904GT	DOOR,INSPECTION,HYD TANK.....	1
22	53.3301.0005GT	Rubber Gasket.....	2
23	09.4661.0026GT	Diesel Tank Cap.....	1
24	09.4661.0015GT	Hydraulic Oil Tank Cap.....	1
25	09.0803.0352GT	SPRING CLIP M8.....	4
26	06.0442.0122GT	BONDED RING 1/2".....	2
27	04.0220.0055GT	PLUG 1/2 BSP.....	2
28	09.4661.0025GT	INDICATOR,OPTICAL LEVEL.....	1
29	51.0600.9306GT	Diesel Tank Body.....	1
30	51.0600.9305GT	Hydraulic Oil Tank Body.....	1
31		See 700 Electric Installation, Figure 608977 - Position 9	
32	09.4604.0000GT	FILTER, HYD. OIL TANK.....	1
33	09.4661.0016GT	BASKET,PLUG.....	2
34	09.0803.0516GT	SPRING CLIP M6.....	2
35	51.0903.4948GT	Cover.....	1
36	09.0803.0578GT	SCREW M6X16 INOX.....	2
37	09.0803.0147GT	GASKET,ADHESIVE.....	3-m
38	04.0607.0111GT	PIPE FITTING 1/2 BSPX13/16-16 ORFS.....	2
39	04.0607.0174GT	PIPE FITTING 1"BSPX1"11/16-12 ORFS.....	1

207.1 608911 Outriggers - View 1



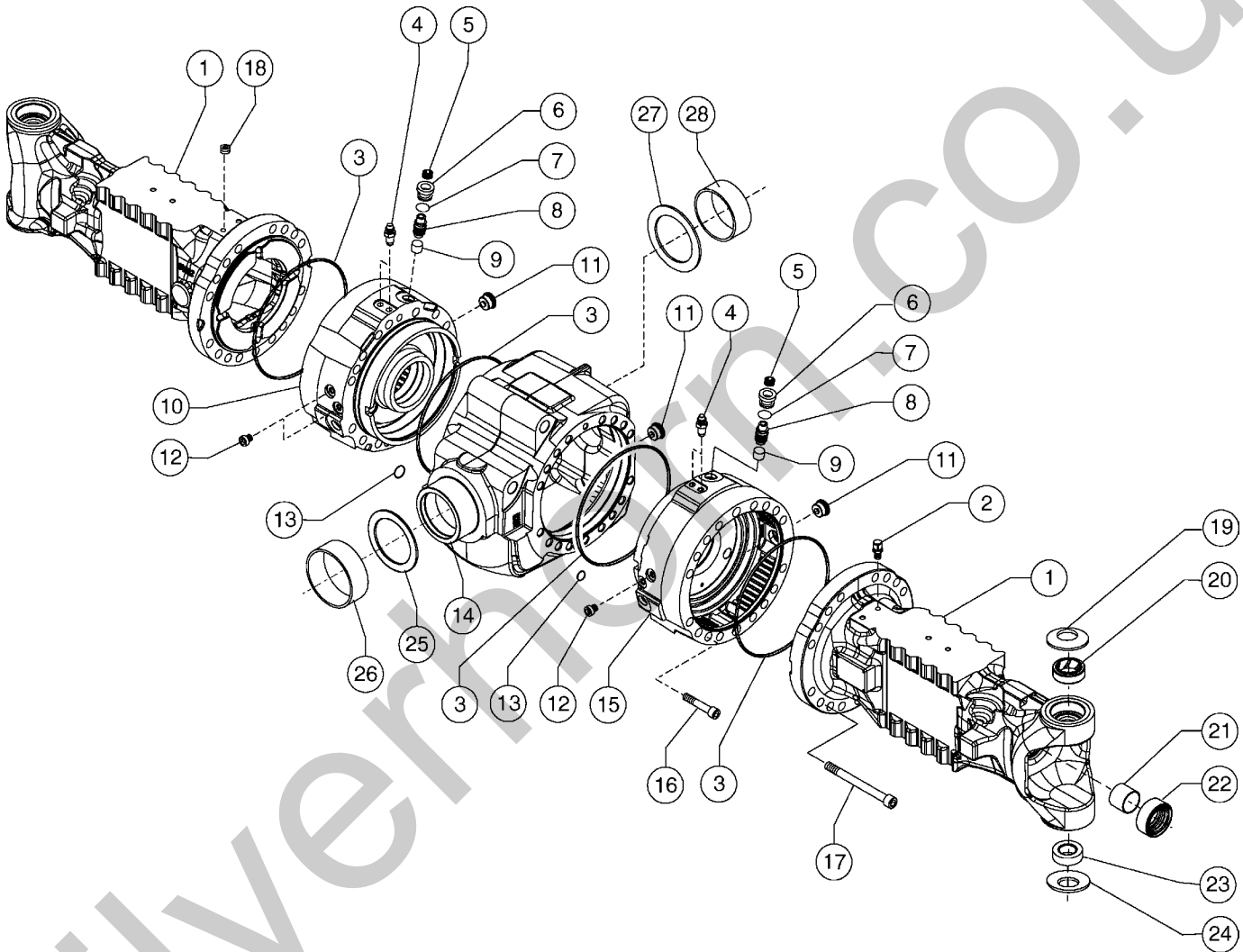
Item	Part No.	Description	Qty.
1	01.4001.0078GT	SCREW M8X20 DIN 6923 8.8 ZN.....	4
2	01.0031.0298GT	FLAT WASHER D6 UNI 6593 ZN.....	12
3	04.4239.0152GT	SAFETY VALVE.....	1
4	51.0903.5163GT	Outrigger Cylinder Valve Cover.....	4
5	53.0800.2015GT	Outrigger Lift Cylinder.....	4
6	07.4529.0188GT	Joint Kit.....	4
7	01.0001.0156GT	SCREW M6X20 UNI 5739 8.8 ZN.....	8
8	01.4032.0002GT	SPRING WASHER D6 ZN.....	2
9	54.0100.0103GT	Washer.....	8
10	51.0500.1802GT	Stabilizer Foot.....	4
11	02.0121.0030GT	Snap Ring.....	4
12	54.0002.0063GT	PIN.....	1
13	51.0500.1824GT	Outrigger Beam.....	1
14	54.0200.0000GT	BUSHING M10X8.5.....	6
15	06.0442.0120GT	BONDED RING 3/8".....	1
16	01.4032.0007GT	SPRING WASHER D16 ZN.....	28
17	01.0003.0261GT	SCREW M10X55 UNI 5931 8.8 ZN.....	4
18	01.4032.0004GT	SPRING WASHER D10 ZN.....	8
19	54.0703.0017GT	Pad.....	1
20	04.0600.0142GT	PIPE FITTING M-F 3/8" BSP ES LG22.....	1
21	54.0703.0016GT	Pad.....	1
22	01.4001.0069GT	SCREW M16X40 UNI 5737 10.9 ZN.....	28
23	07.4529.0189GT	Joint Kit.....	4
24	53.0900.0005GT	Outrigger Telescoping Cylinder.....	1
25	01.0003.0160GT	SCREW M6X40 UNI 5931 8.8 ZN.....	6
26	01.4032.0002GT	SPRING WASHER D6 ZN.....	6
27	09.0803.0516GT	SPRING CLIP M6.....	2
28	01.4032.0004GT	SPRING WASHER D10 ZN.....	8
29	01.0031.0056GT	FLAT WASHER D10 UNI 6592 ZN.....	2
30	04.0607.0117GT	PIPE FITTING 3/8BSPX11/16-16 ORFS.....	2
31	01.0031.0054GT	FLAT WASHER D6 UNI 6592 ZN.....	4
32	54.0002.0074GT	PIN.....	4
33	51.0903.5165GT	Outrigger Beam Cover.....	4
34	02.0117.0101GT	GREASE NIPPLE G 1/8.....	2
35	01.0001.0358GT	SCREW M10X40 UNI 5739 8.8 ZN.....	2
36	04.4239.0153GT	Valve.....	1
37	01.0003.0207GT	SCREW M8X35 UNI 5931 8.8 ZN.....	6
38	51.0811.4394GT	Pad Shim.....	1
39	54.0703.0015GT	Pad.....	4
40	01.0001.0102GT	SCREW M6X30 UNI 5739 8.8 ZN.....	16

208.1 608912 Outriggers - View 2



Item	Part No.	Description	Qty.
1	51.09035161GT	Cell Cable Long Tube - Outrigger.....	2
2	51.09035160GT	Outrigger Load Cell Cover.....	4
3	01.00030162GT	SCREW M6X50 UNI 5931 8.8 ZN.....	12
4	09.08030663GT	Pipe Clamp D35.....	6
5	51.09035162GT	Cell Cable Short Tube - Outrigger.....	2
6	01.40010106GT	SCREW M6X16 DIN 6923 8.8 ZN.....	2
7	51.08114409GT	Steel Pad Outrigger.....	4
8	09.08020042GT	Pin Load Cell.....	4
9	51.08114410GT	Outrigger Load Cell Actuator.....	4
10	01.40030014GT	Screw.....	16
11	01.40320003GT	SPRING WASHER D8 ZN.....	3
12	01.00310055GT	FLAT WASHER D8 UNI 6592 ZN.....	4
13	01.00010211GT	SCREW M8X80 UNI 5737 8.8 ZN.....	4
14	01.00310298GT	FLAT WASHER D6 UNI 6593 ZN.....	8
15	51.08114420GT	Outr. Sensors Plate.....	4
16	55.06020583GT	Proximity Switch.....	4
17	01.00010156GT	SCREW M6X20 UNI 5739 8.8 ZN.....	8
18	01.40320002GT	SPRING WASHER D6 ZN.....	2

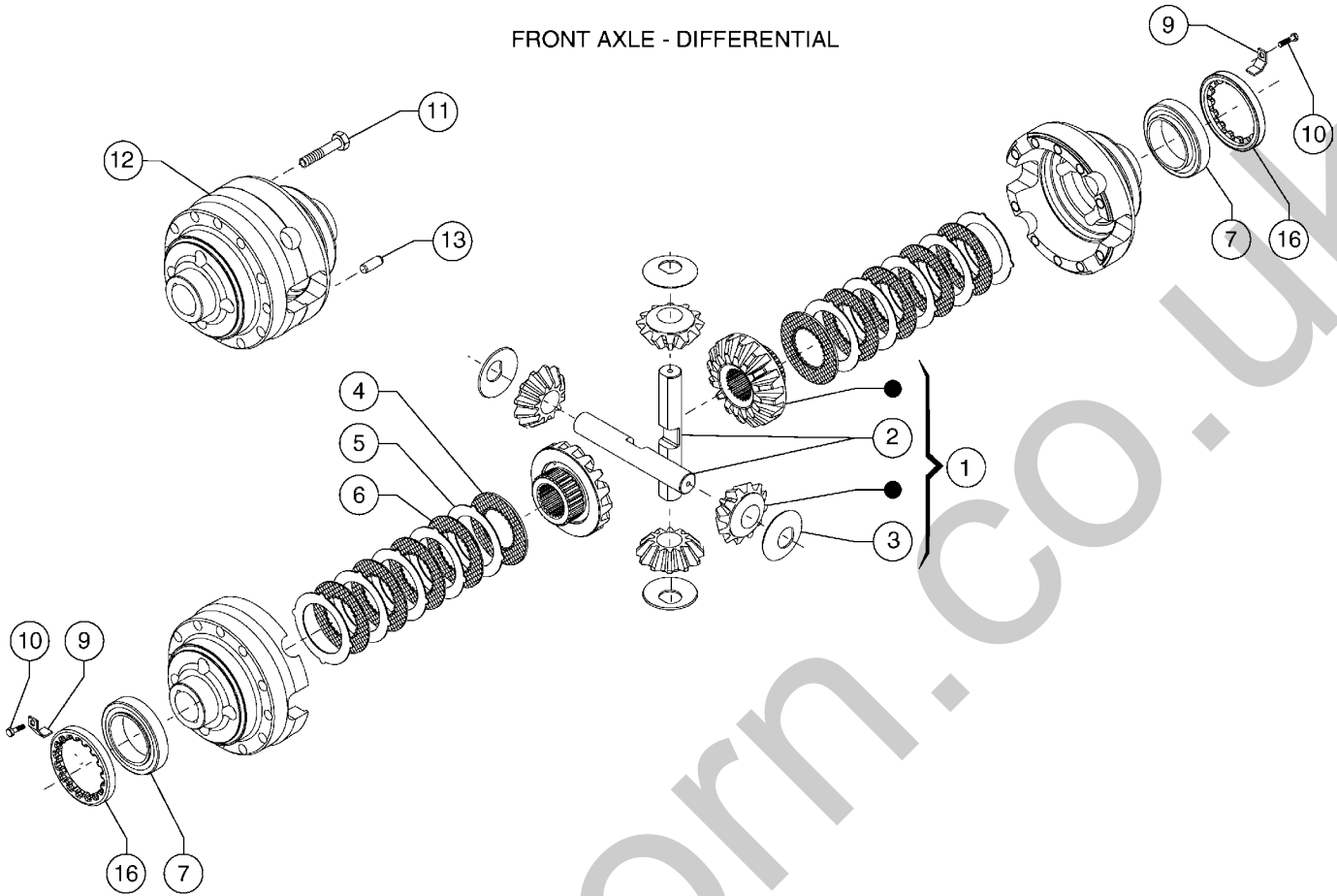
209.1 608913 Front Axle - Housing



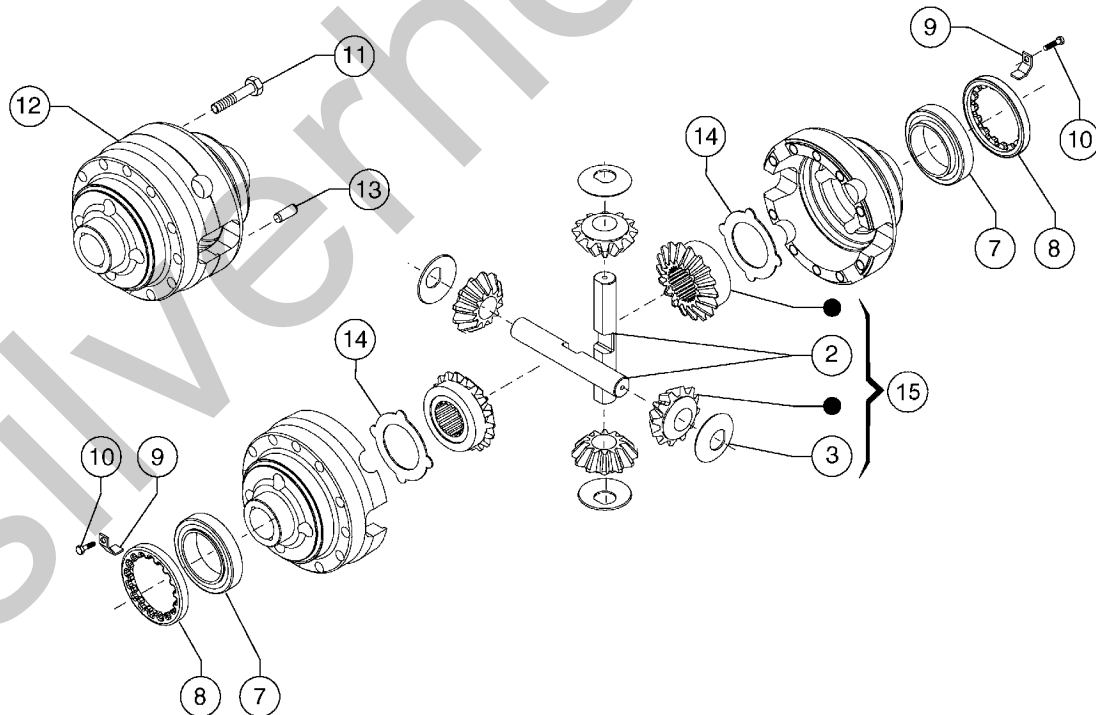
Item	Part No.	Description	Qty.
1	07.0711.0252GT	Leg Housing.....	2
2	07.0711.0012GT	Breather M10x1.....	1
3	07.0711.0253GT	O-RING.....	4
4	07.0711.0116GT	BREATHER.....	1
5	07.0711.0156GT	Plug M16x1.5.....	6
6	07.0711.0354GT	Screw M22x1.5.....	6
7	07.0711.0225GT	O-RING.....	6
8	07.0711.0355GT	Screw M22x1.5.....	6
9	07.0711.0356GT	Pin.....	6
10	07.0711.0357GT	Left Brake Cylinder.....	1
11	07.0711.0109GT	PLUG.....	3
12	07.0711.0358GT	Plug M10x1.....	4
13	07.0711.0271GT	O-RING.....	2
14	07.0711.0359GT	Central Body.....	1
15	07.0711.0360GT	Right Brake Cylinder.....	1
16	07.0711.0270GT	Screw M12x110.....	2
17	07.0711.0269GT	Screw M16X160.....	34
18	07.0711.0155GT	Plug M10x1.....	1
19	07.0711.0263GT	Belleville Washer.....	2
20	07.0711.0264GT	BUSHING.....	2
21	07.0711.0265GT	Bush.....	2
22	07.0711.0266GT	Seal Ring.....	2
23	07.0711.0267GT	Spherical Bearing.....	2
24	07.0711.0268GT	Belleville Washer.....	2
25	07.0711.0275GT	THRUST WASHER.....	1
26	07.0711.0278GT	BUSHING.....	1
27	07.0711.0257GT	THRUST WASHER.....	1
28	07.0711.0256GT	BUSHING.....	1

210.1 608914 Front And Rear Axle - Differential

FRONT AXLE - DIFFERENTIAL



REAR AXLE - DIFFERENTIAL

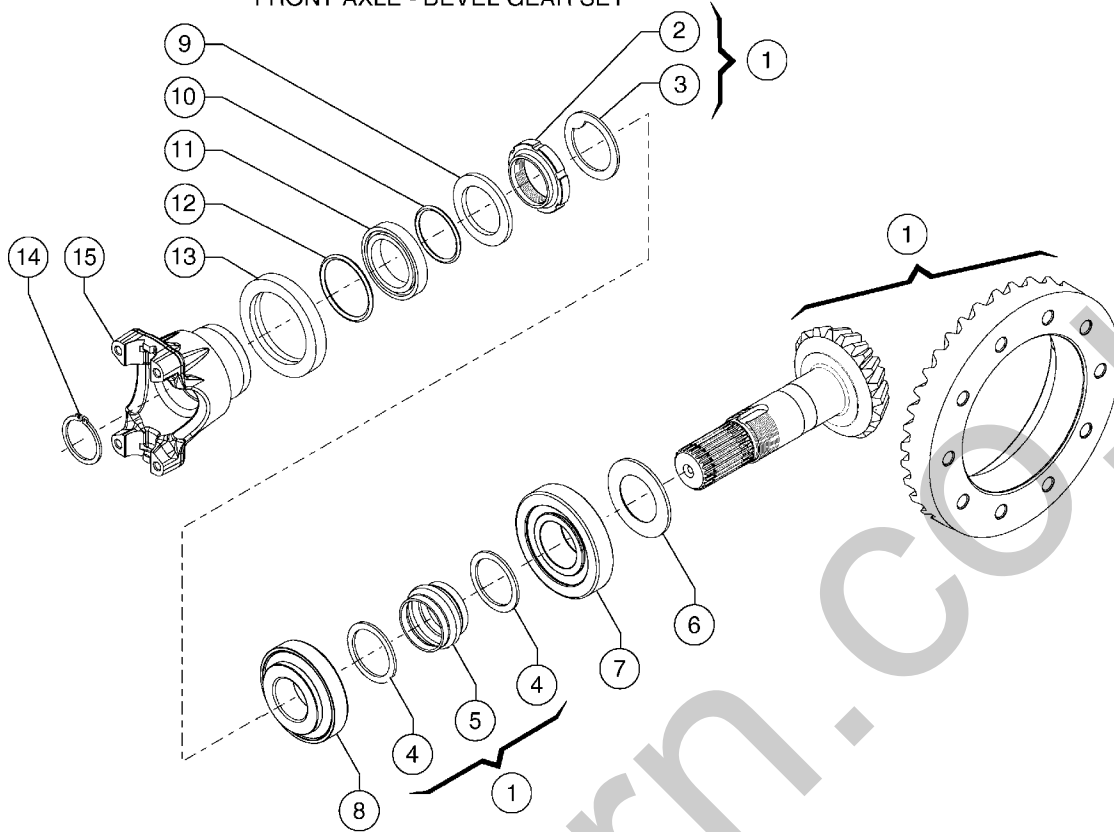


210.1 608914 Front And Rear Axle - Differential

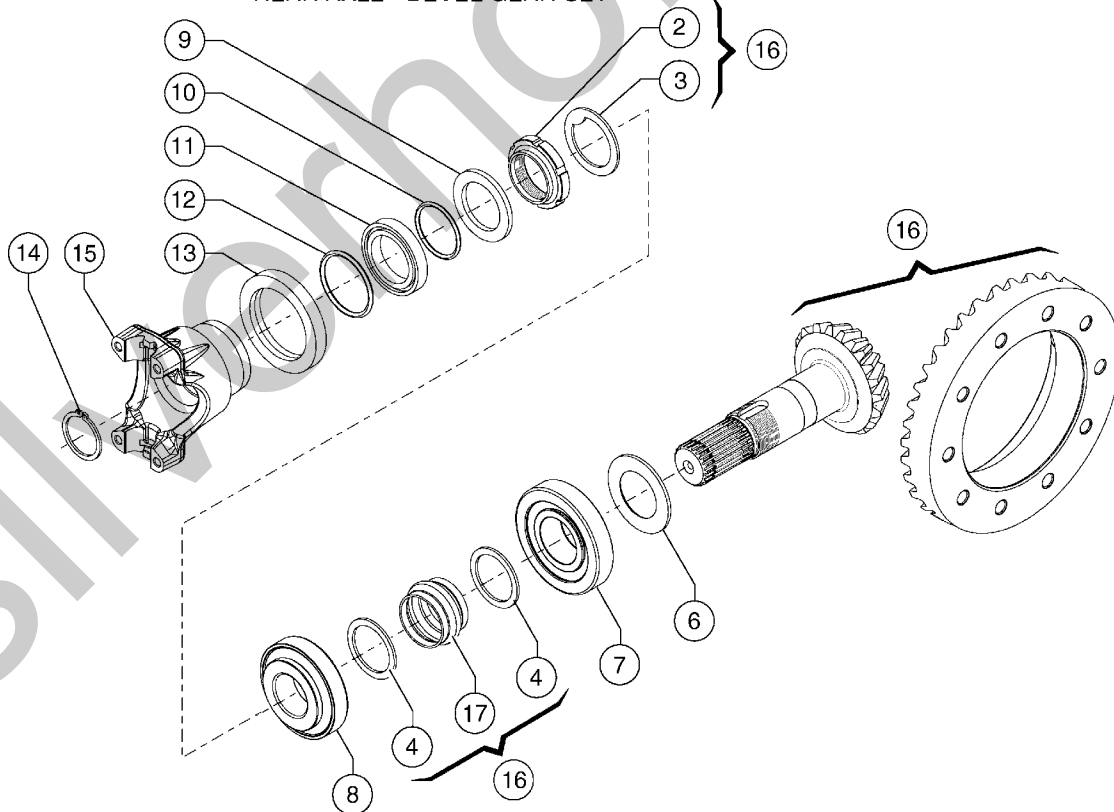
Item	Part No.	Description	Qty.
1	07.0711.0441GT	Differential Kit.....	1
2	07.0711.0320GT	Pin.....	4
3	07.0711.0321GT	Thrust Washer.....	8
4	07.0711.0363GT	Differential Plate.....	2
5	07.0711.0364GT	Differential Drive Plate.....	10
6	07.0711.0365GT	Differential Plate.....	8
7	07.0711.0325GT	Bearing.....	4
8	07.0711.0077GT	RING NUT.....	2
9	07.0711.0326GT	Locking Plate.....	4
10	07.0711.0079GT	Screw M6x10.....	4
11	07.0711.0394GT	Screw M12x90.....	20
12	07.0711.0323GT	Differential Housing.....	2
13	07.0711.0324GT	PIN D12X40.....	4
14	07.0711.0322GT	Differential Drive Plate.....	2
15	07.0711.0319GT	Differential Kit.....	1
16	07.0711.0590GT	Ring.....	2

211.1 608915 Front And Rear Axle - Bevel Gear Set

FRONT AXLE - BEVEL GEAR SET



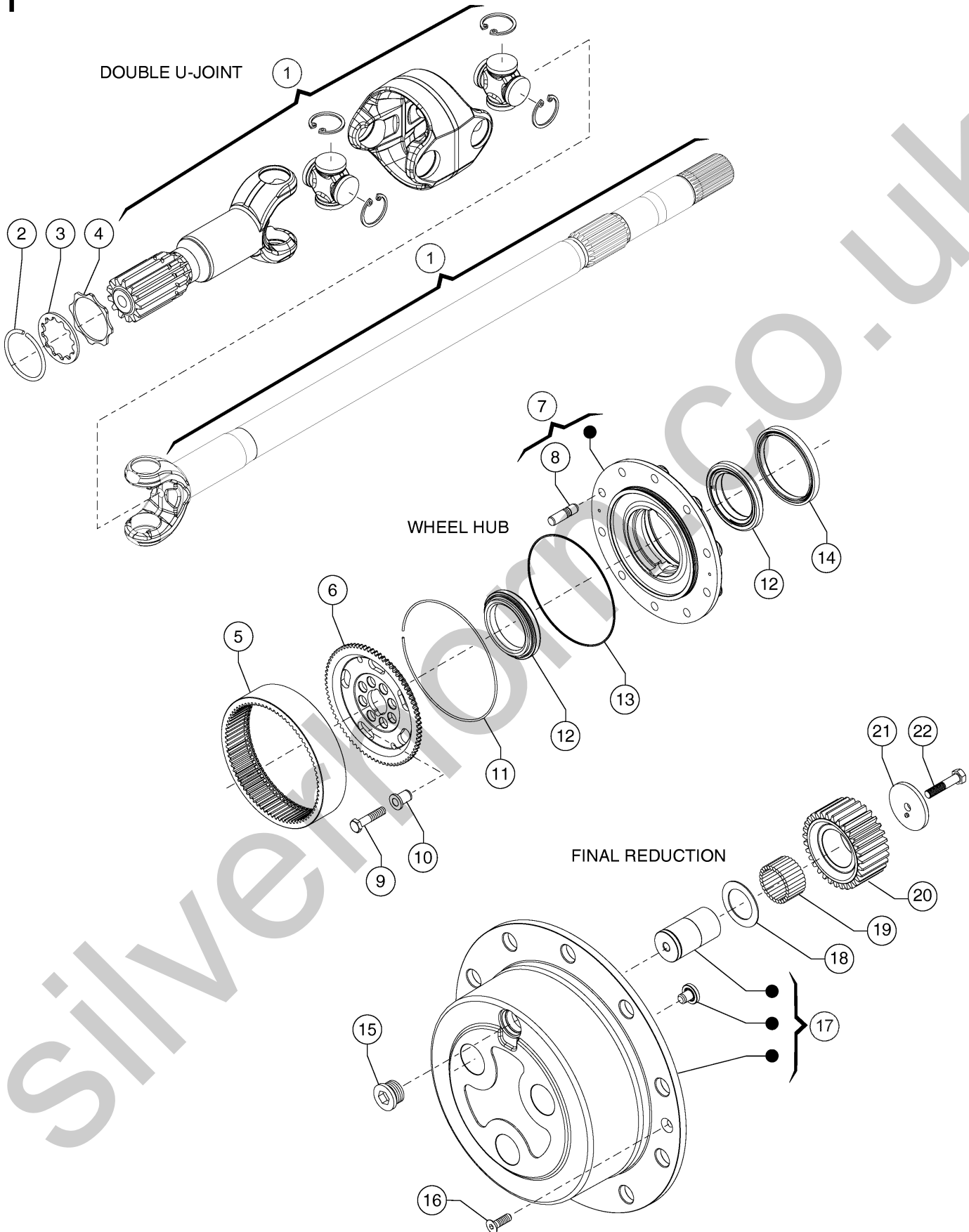
REAR AXLE - BEVEL GEAR SET



211.1 608915 Front And Rear Axle - Bevel Gear Set

Item	Part No.	Description	Qty.
1	07.0711.0362GT	Bevel Gear Kit.....	1
2	633797GT	Lock Washer.....	2
3	633798GT	Ring Nut M40x1.5.....	2
4	07.0711.0361GT	Washer.....	4
5	07.0711.0442GT	Collapsible Spacer.....	1
6	07.0711.0302GT	Shim 2.50mm	
6	07.0711.0303GT	Shim 2.60mm	
6	07.0711.0304GT	Shim 2.70mm	
6	07.0711.0305GT	Shim 2.80mm	
6	07.0711.0306GT	Shim 2.90mm	
6	07.0711.0307GT	Shim 3.00mm	
6	07.0711.0308GT	Shim 3.10mm	
6	07.0711.0309GT	Shim 3.20mm	
6	07.0711.0310GT	Shim 3.40mm	
6	07.0711.0311GT	Shim 3.30mm	
7	07.0711.0312GT	Bearing.....	2
8	633795GT	Bearing.....	2
9	07.0711.0313GT	Washer.....	2
10	07.0711.0314GT	O-RING.....	2
11	07.0711.0315GT	Seal Ring.....	2
12	07.0711.0316GT	O.Ring.....	2
13	07.0711.0317GT	Spacer.....	2
14	07.0711.0318GT	Flange.....	2
15	07.0711.0104GT	Snap Ring D34.....	2
16	07.0711.0443GT	Bevel Gear Kit.....	1
17	07.0711.0301GT	Collapsible Spacer.....	1

212.1 608916 Front And Rear Axle - Double U Joint - Hub And Final Reduction

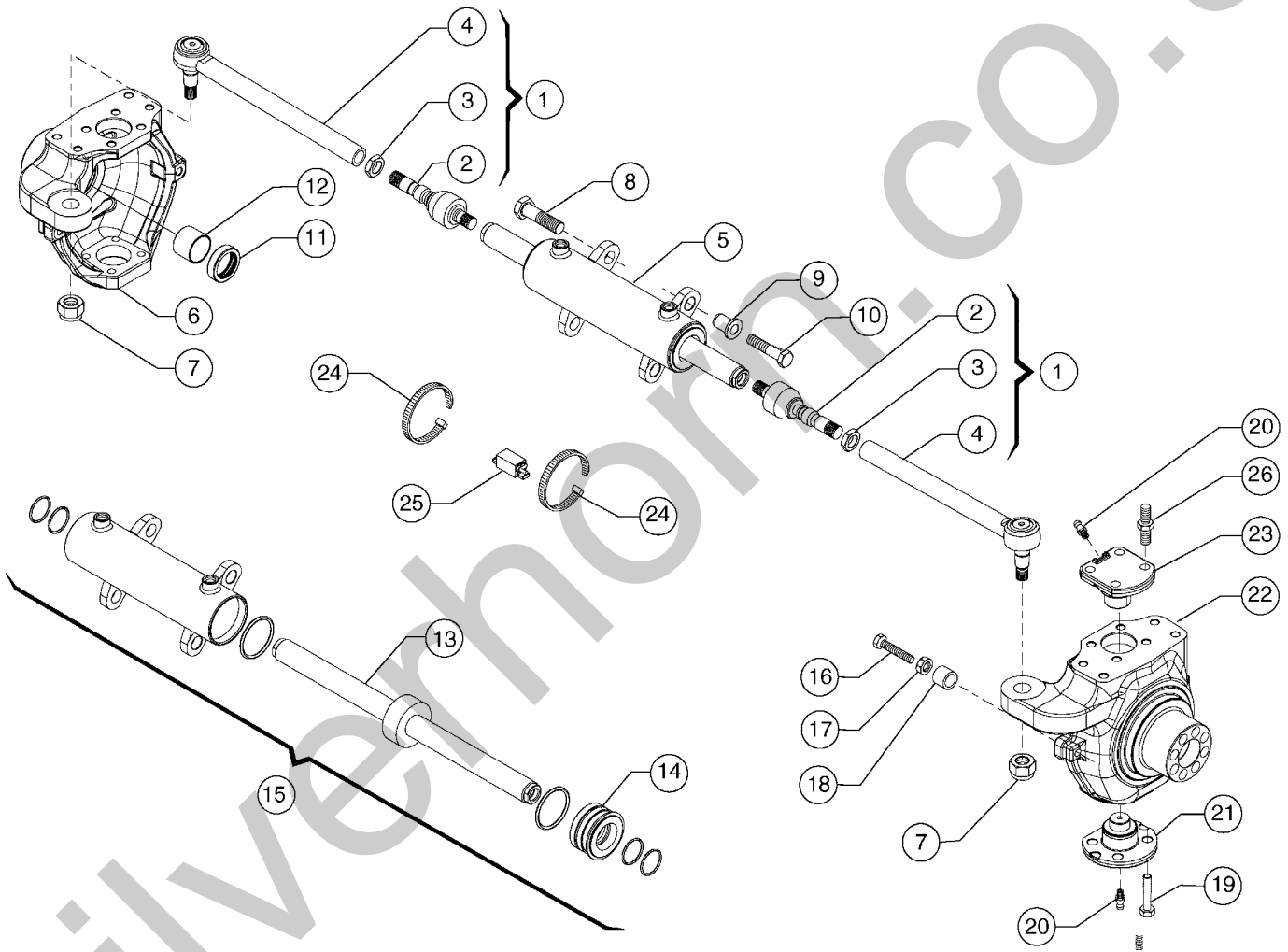


212.1 608916 Front And Rear Axle - Double U Joint - Hub And Final Reduction

Item	Part No.	Description	Qty.
1	07.0711.0327GT	Double U-Joint Kit.....	2
2	07.0711.0330GT	Snap Ring.....	2
3	07.0711.0329GT	Washer.....	2
4	07.0711.0460GT	Thrust Washer.....	2
5	07.0711.0347GT	Crown Gear.....	2
6	07.0711.0501GT	Wheel Carrier.....	2
7	07.0711.0504GT	Wheel Hub Kit.....	1
8	07.0711.0341GT	Stud.....	10
9	07.0711.0031GT	Screw M14x65.....	16
10	07.0711.0030GT	Centring Bush.....	16
11	07.0711.0345GT	Ring.....	2
12	07.0711.0502GT	Bearing.....	4
13	07.0711.0344GT	O.Ring.....	2
14	07.0711.0462GT	Seal Ring.....	2
15	07.0711.0109GT	PLUG.....	2
16	07.0711.0112GT	Screw M8x20.....	4
17	07.0711.0353GT	Planetary Carrier Kit.....	2
18	07.0711.0352GT	Trust Washer.....	6
19	07.0711.0351GT	Bearing Needles (by tens).....	16.8
20	07.0711.0350GT	Gear.....	6
21	07.0711.0349GT	Trust Washer.....	6
22	07.0711.0348GT	Screw M10x50.....	6

213.1 608917 Front And Rear Axle - Steering Cylinder And Swivel Housing

NOTE: To identify the left or right Swivel Housing, look at the axle being in front of the axle steering cylinder

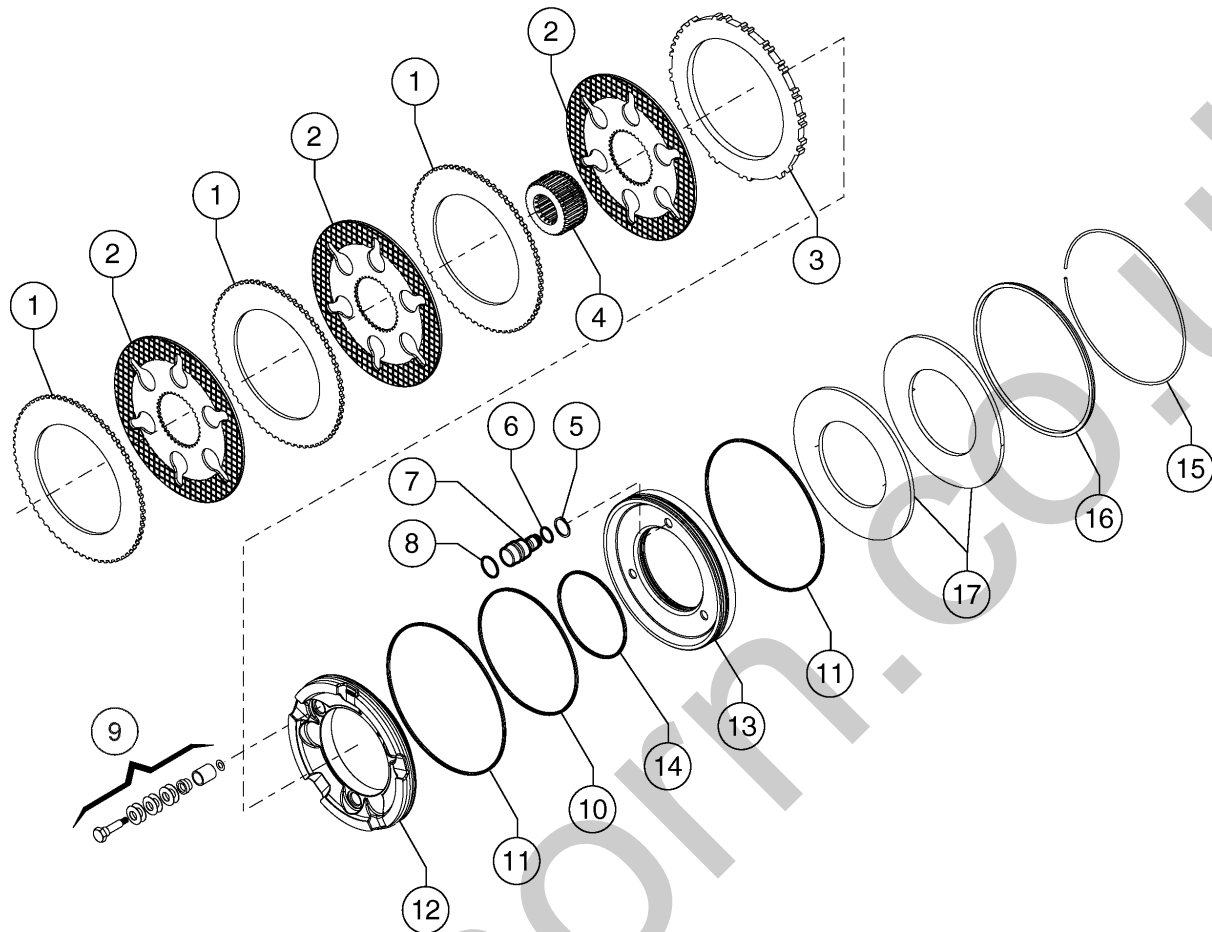


213.1 608917 Front And Rear Axle - Steering Cylinder And Swivel Housing

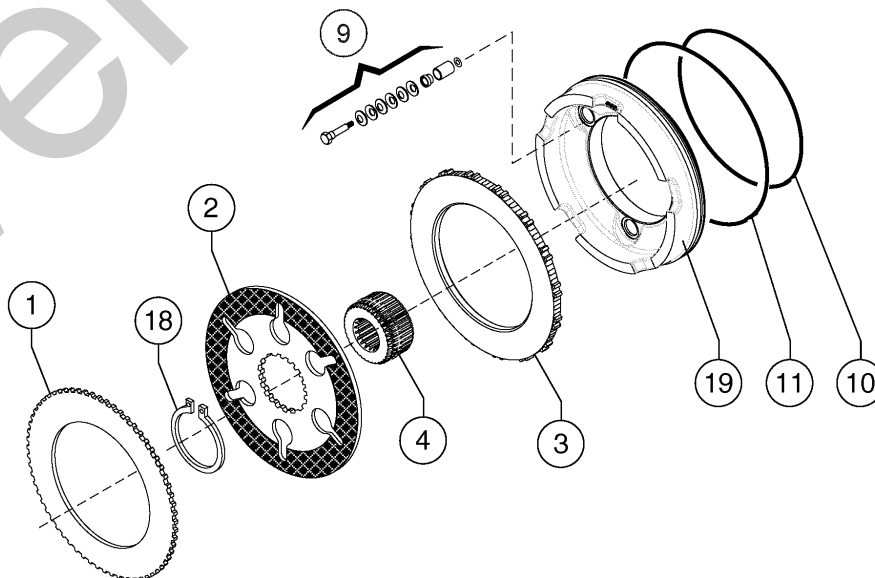
Item	Part No.	Description	Qty.
1	07.0711.0463GT	Steering Arm Assy.....	1
2	07.0711.0280GT	Ball Joint.....	2
3	07.0711.0281GT	NUT M24X1.5.....	2
4	07.0711.0464GT	Tie Rod.....	2
5	07.0711.0283GT	Steering Cylinder.....	1
6	07.0711.0465GT	Left Swivel Housing.....	1
7	07.0711.0285GT	Nut M24X1.5.....	2
8	07.0711.0286GT	Screw M22x55.....	2
9	07.0711.0287GT	Bush.....	2
10	07.0711.0031GT	Screw M14x65.....	2
11	07.0711.0466GT	Seal Ring.....	2
12	07.0711.0289GT	Bush.....	2
13	07.0711.0290GT	Rod.....	1
14	07.0711.0291GT	Cylinder Head.....	1
15	07.0711.0292GT	Seal Kit.....	1
16	07.0711.0045GT	SCREW.....	4
17	07.0711.0044GT	Nut M16.....	4
18	07.0711.0293GT	Bush.....	4
19	07.0711.0294GT	Screw M16x38.....	8
20	07.0711.0014GT	Greaser Nipple.....	4
21	07.0711.0295GT	King Pin.....	2
22	07.0711.0467GT	Right Swivel Housing.....	1
23	07.0711.0297GT	King Pin.....	2
24	07.0711.0298GT	Clamp.....	2
25	07.0711.0299GT	Sensor.....	1
26	07.0711.0300GT	SPECIAL SCREW M16X38.....	8

214.1 608918 Front And Rear Axle - Brakes

FRONT AXLE - BRAKES



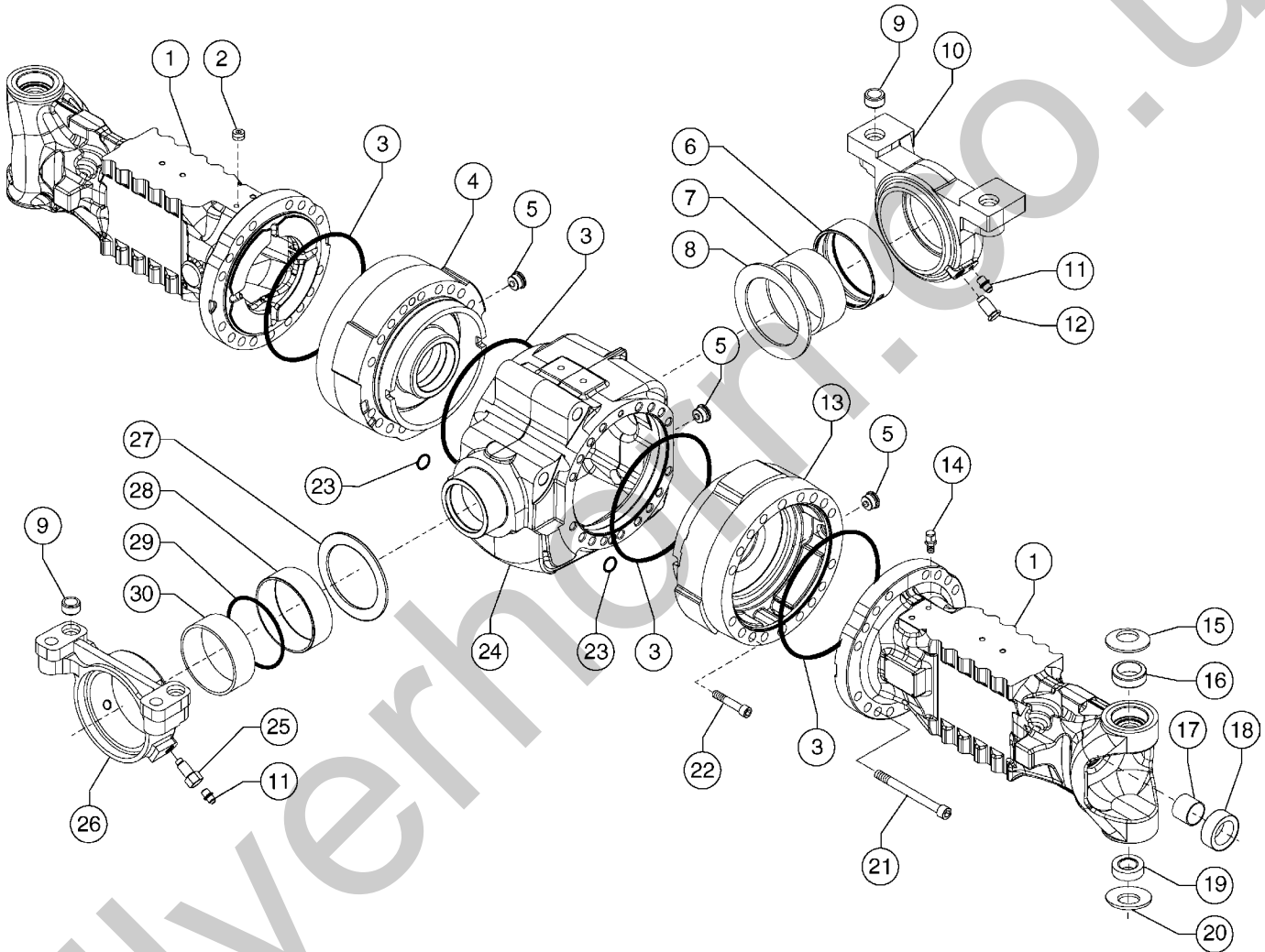
REAR AXLE - BRAKES



214.1 608918 Front And Rear Axle - Brakes

Item	Part No.	Description	Qty.
1	07.0711.0338GT	Brake Counter Disc.....	8
2	07.0711.0336GT	Brake Disc.....	8
3	07.0711.0334GT	Brake Counter Disc.....	4
4	07.0711.0335GT	SLEEVE.....	4
5	07.0711.0366GT	Snap Ring D12.....	6
6	07.0711.0367GT	O.Ring.....	6
7	07.0711.0368GT	Pin.....	6
8	07.0711.0369GT	O.Ring.....	6
9	07.0711.0339GT	SELF-ADJUST KIT.....	4
10	07.0711.0331GT	O-RING.....	2
11	07.0711.0332GT	O-RING.....	4
12	07.0711.0370GT	Positive Brake Piston.....	2
13	07.0711.0371GT	Negative Brake Piston.....	2
14	07.0711.0372GT	O-RING.....	2
15	07.0711.0373GT	Lock Ring.....	2
16	07.0711.0468GT	SPACER.....	2
17	07.0711.0375GT	Belleville Washer.....	4
18	07.0711.0337GT	SNAP RING D75.....	2
19	07.0711.0333GT	Brake piston (Pos.).....	2

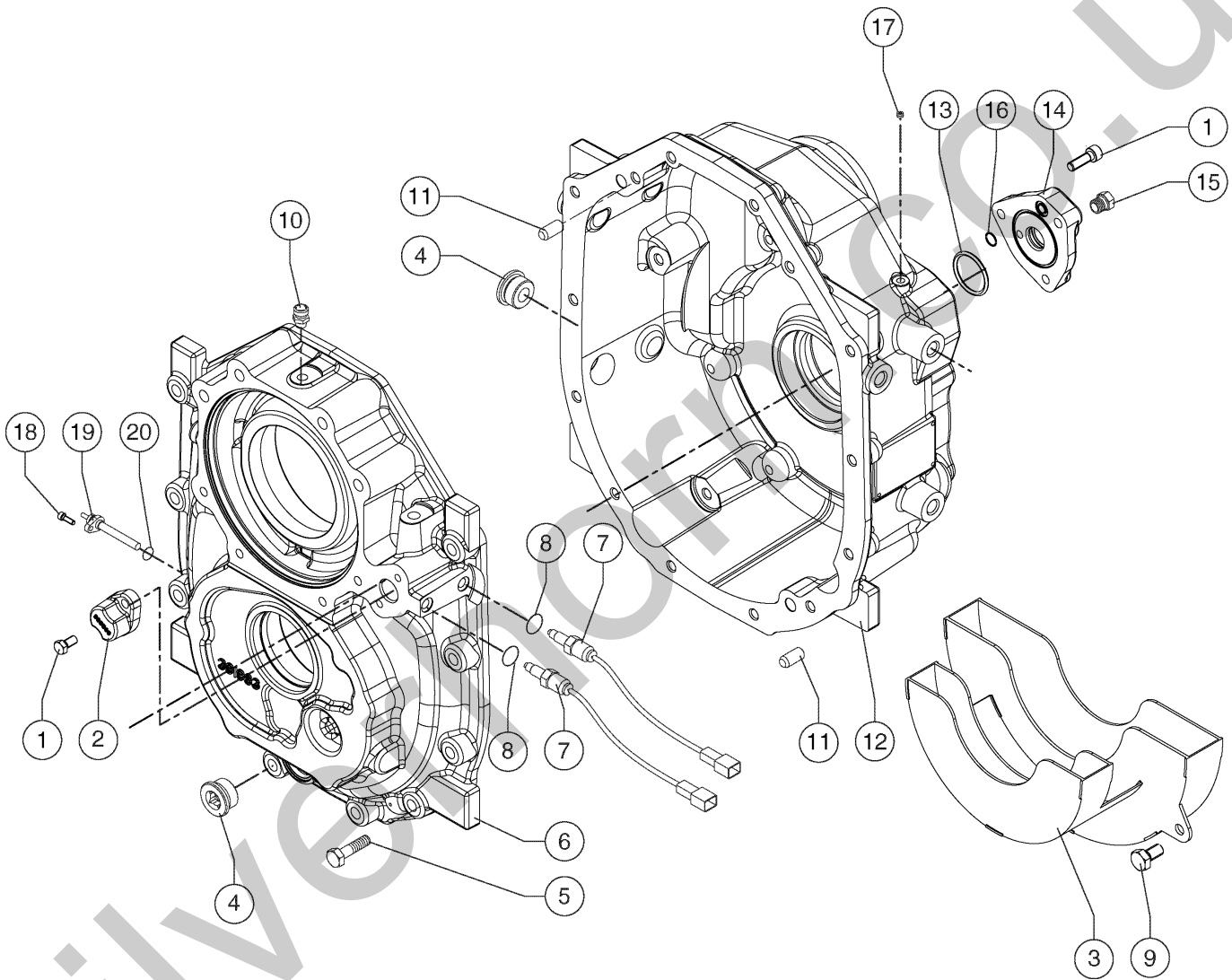
215.1 608919 Rear Axle - Housing



215.1 608919 Rear Axle - Housing

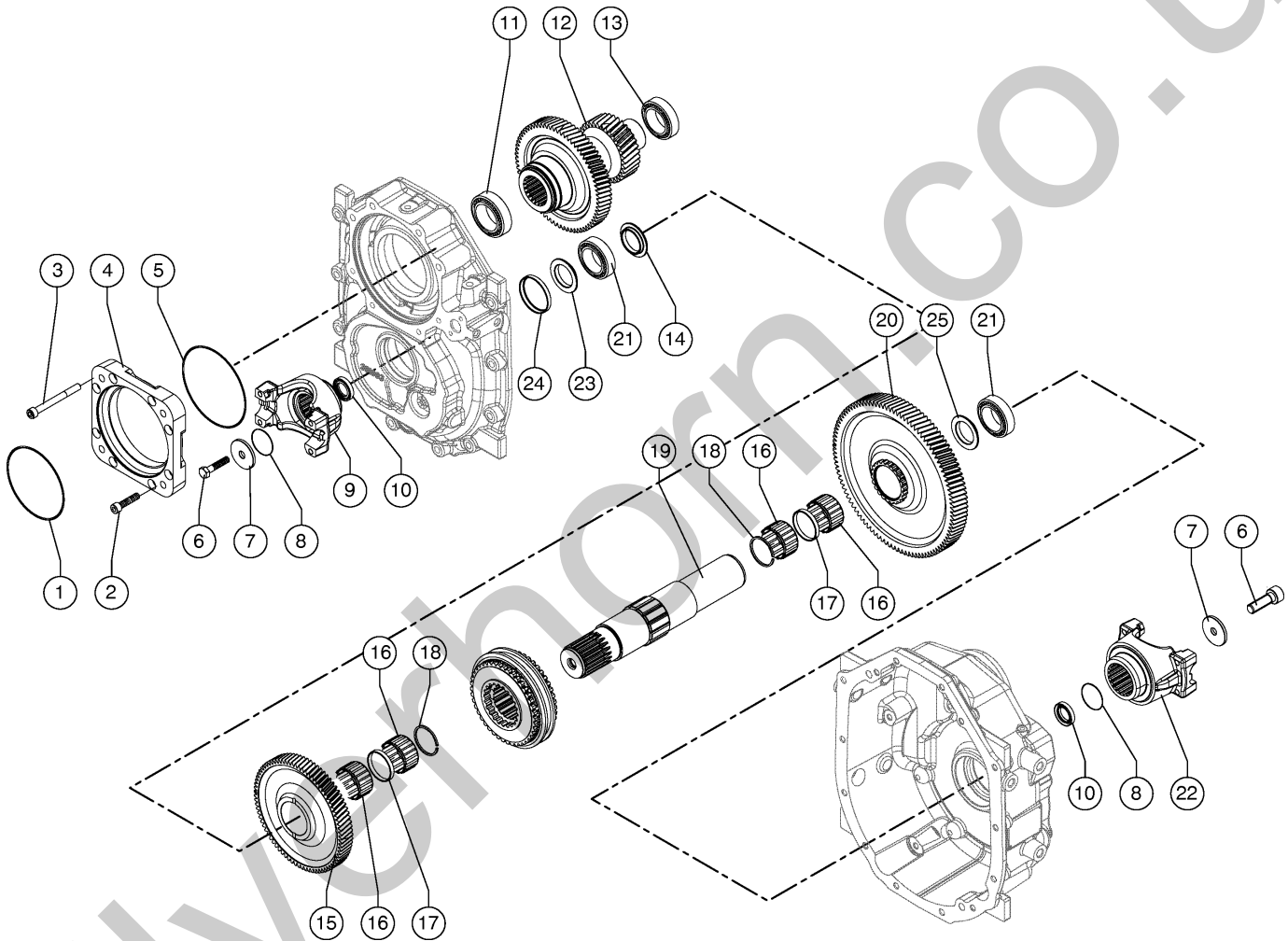
Item	Part No.	Description	Qty.
1	07.0711.0252GT	Leg Housing.....	2
2	07.0711.0155GT	Plug M10x1.....	1
3	07.0711.0253GT	O-RING.....	4
4	07.0711.0254GT	Left Brake Cylinder.....	1
5	07.0711.0109GT	PLUG.....	1
6	07.0711.0255GT	BUSHING.....	1
7	07.0711.0256GT	BUSHING.....	1
8	07.0711.0257GT	THRUST WASHER.....	1
9	07.0711.0258GT	BUSHING.....	4
10	07.0711.0259GT	Front Support.....	1
11	07.0711.0260GT	GREASE NIPPLE M8X1.....	2
12	07.0711.0261GT	Screw M16.....	1
13	07.0711.0262GT	Right Brake Cylinder.....	1
14	07.0711.0012GT	Breather M10x1.....	1
15	07.0711.0263GT	Belleville Washer.....	2
16	07.0711.0264GT	BUSHING.....	2
17	07.0711.0265GT	Bush.....	2
18	07.0711.0266GT	Seal Ring.....	2
19	07.0711.0469GT	Spherical Bearing.....	2
20	07.0711.0268GT	Belleville Washer.....	2
21	07.0711.0269GT	Screw M16X160.....	34
22	07.0711.0270GT	Screw M12x110.....	2
23	07.0711.0271GT	O-RING.....	2
24	07.0711.0359GT	Central Body.....	1
25	07.0711.0273GT	Screw.....	1
26	07.0711.0274GT	Rear Support.....	1
27	07.0711.0275GT	THRUST WASHER.....	1
28	07.0711.0276GT	BUSHING.....	1
29	07.0711.0277GT	O-RING.....	1
30	07.0711.0278GT	BUSHING.....	1

216.1 608920 Transmission Housing



Item	Part No.	Description	Qty.
1	07.0711.0470GT	Bolt.....	5
2	07.0711.0471GT	Cover.....	1
3	07.0711.0472GT	Oil bulkhead.....	1
4	07.0711.0109GT	PLUG.....	2
5	07.0703.0583GT	Bolt M10x50.....	10
6	07.0711.0473GT	Frontal Half Housing.....	1
7	07.0711.0381GT	Switch.....	2
8	07.0711.0382GT	O-ring.....	2
9	07.0711.0227GT	SCREW.....	2
10	07.0711.0384GT	Breather.....	1
11	07.0711.0161GT	Pin D12x25.....	2
12	07.0711.0475GT	Rear Half Housing.....	1
13	07.0711.0503GT	O.ring.....	1
14	07.0711.0474GT	Cover.....	1
15	07.0711.0390GT	Plug.....	2
16	07.0711.0476GT	O.ring.....	1
17	07.0711.0477GT	Rivet.....	1
18	07.0711.0387GT	SCREW M6X14.....	1
19	07.0711.0478GT	SENSOR.....	1
20	07.0711.0479GT	O.ring.....	1

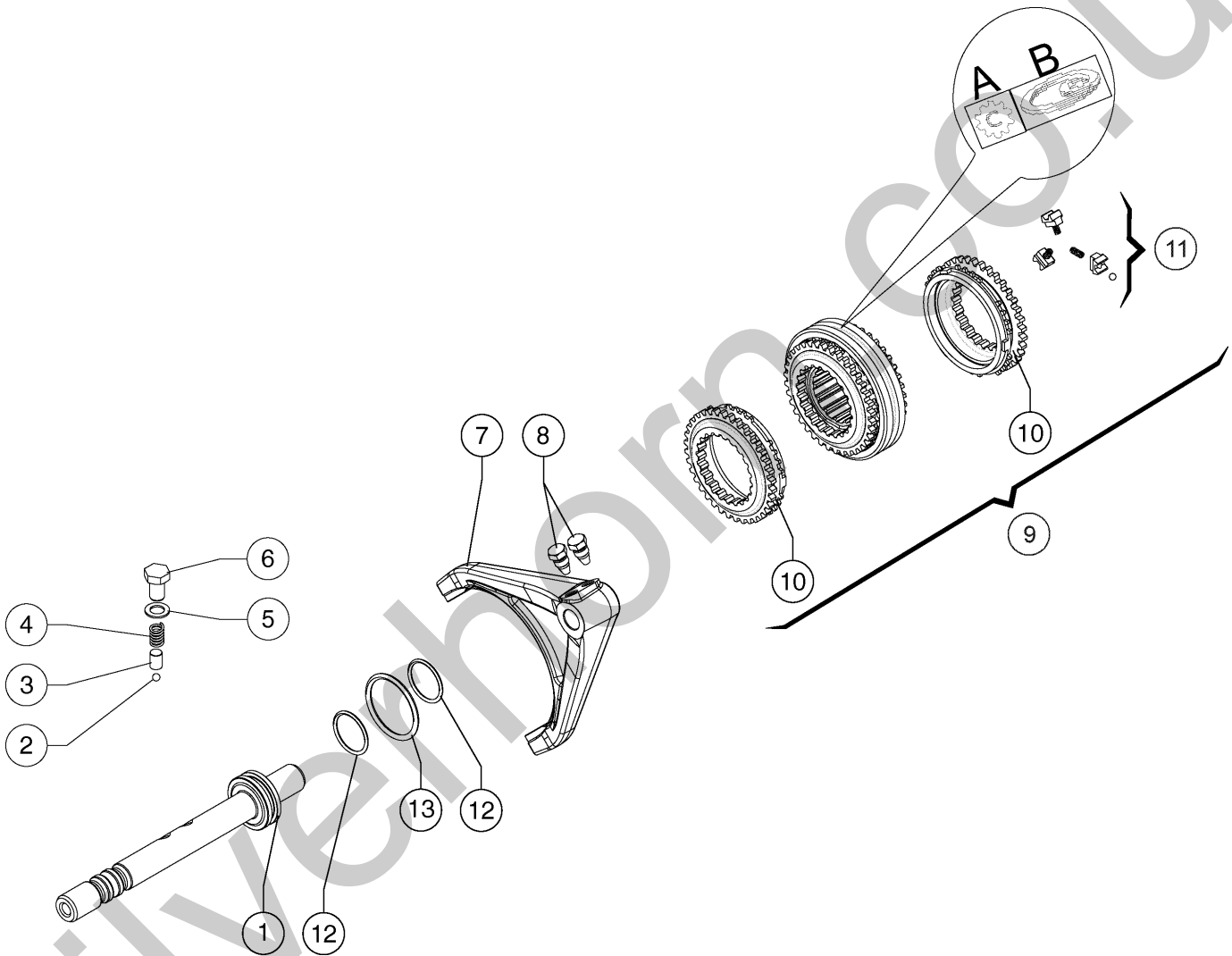
217.1 608921 Transmission Gear And Shafts



217.1 608921 Transmission Gear And Shafts

Item	Part No.	Description	Qty.
1	07.0711.0480GT	Oil seal.....	1
2	07.0711.0148GT	Bolt M10x30.....	4
3	07.0711.0396GT	Bolt M10x10.....	4
4	07.0711.0481GT	Motor Flange.....	1
5	07.0711.0154GT	O.ring.....	1
6	07.0711.0398GT	Bolt M12x25.....	1
7	07.0711.0399GT	Wascher.....	1
8	07.0711.0400GT	O-ring.....	2
9	07.0711.0482GT	Flange.....	1
10	07.0711.0402GT	Oil seal.....	1
11	07.0711.0403GT	Bearing.....	1
12	07.0711.0483GT	Input Shaft.....	1
13	07.0711.0405GT	Bearing.....	1
14	07.0711.0484GT	Trust Wascher.....	2
15	07.0711.0487GT	Gear.....	1
16	07.0711.0408GT	Bearing Needles.....	4
17	07.0711.0409GT	Spacer.....	2
18	07.0711.0410GT	Snap Ring.....	2
19	07.0711.0485GT	Output shaft.....	1
20	07.0711.0412GT	Gear.....	1
21	07.0711.0486GT	Bearing.....	2
22	07.0711.0401GT	Flange.....	1
23	07.0711.0488GT	Wascher.....	1
24	07.0711.0489GT	Ring.....	1
25	07.0711.0484GT	Trust Wascher.....	1

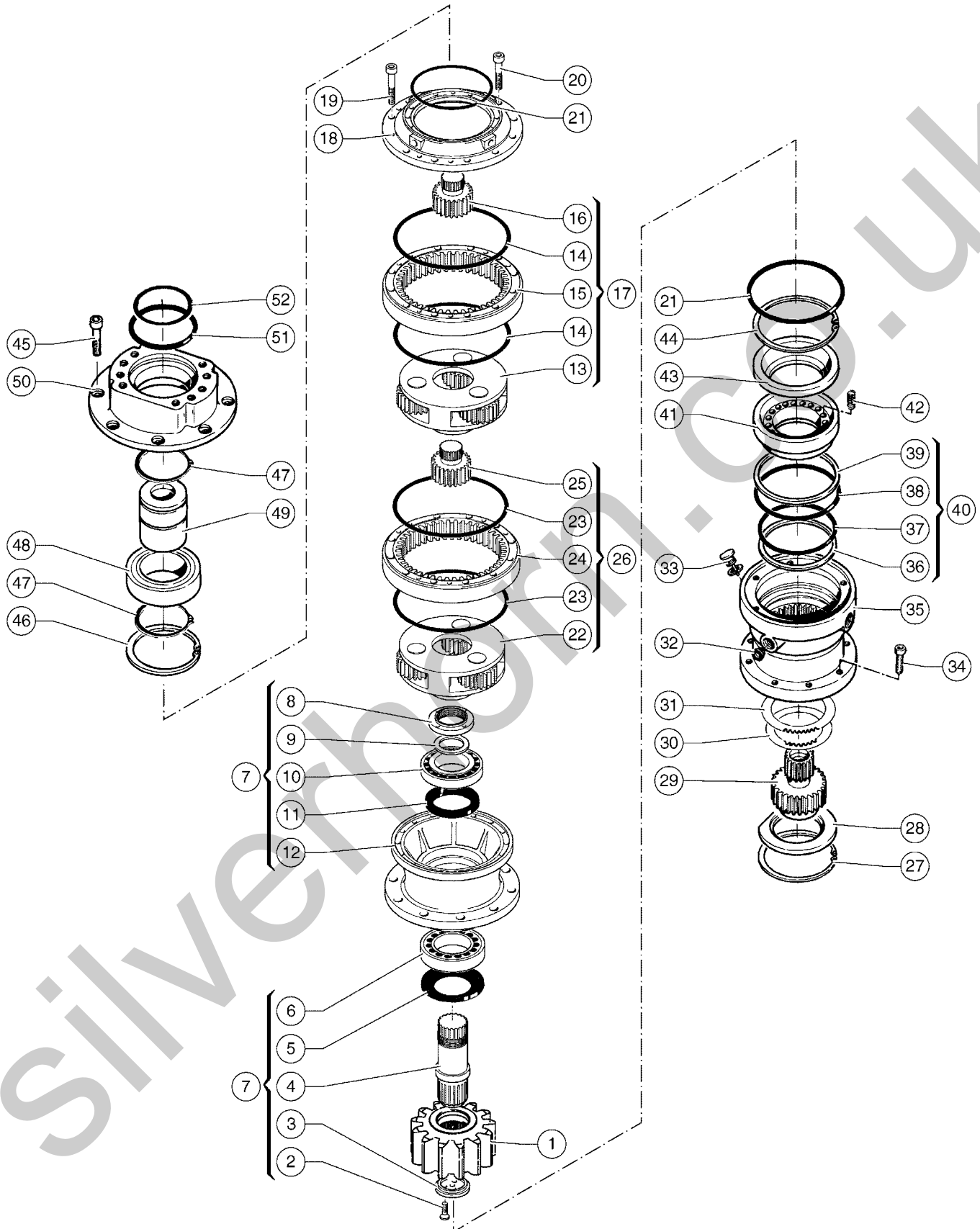
218.1 608922 Transmission Rear Support



218.1 608922 Transmission Rear Support

Item	Part No.	Description	Qty.
1	07.0711.0491GT	Pin.....	1
2	07.0711.0420GT	Ball.....	1
3	07.0711.0492GT	Roll.....	1
4	07.0711.0422GT	Spring.....	1
5	07.0711.0423GT	Washer.....	1
6	07.0711.0424GT	Bolt M12x16.....	1
7	07.0711.0493GT	Fork.....	1
8	07.0711.0236GT	Bolt.....	2
9	07.0711.0494GT	Synchronizing Kit.....	1
10	07.0711.0495GT	Rings Kit.....	1
10	07.0711.0496GT	Rings Kit.....	1
11	07.0711.0497GT	Spring Kit.....	1
11	07.0711.0498GT	Spring Kit.....	1
12	07.0711.0499GT	O.Ring.....	2
13	07.0711.0500GT	O.Ring.....	1

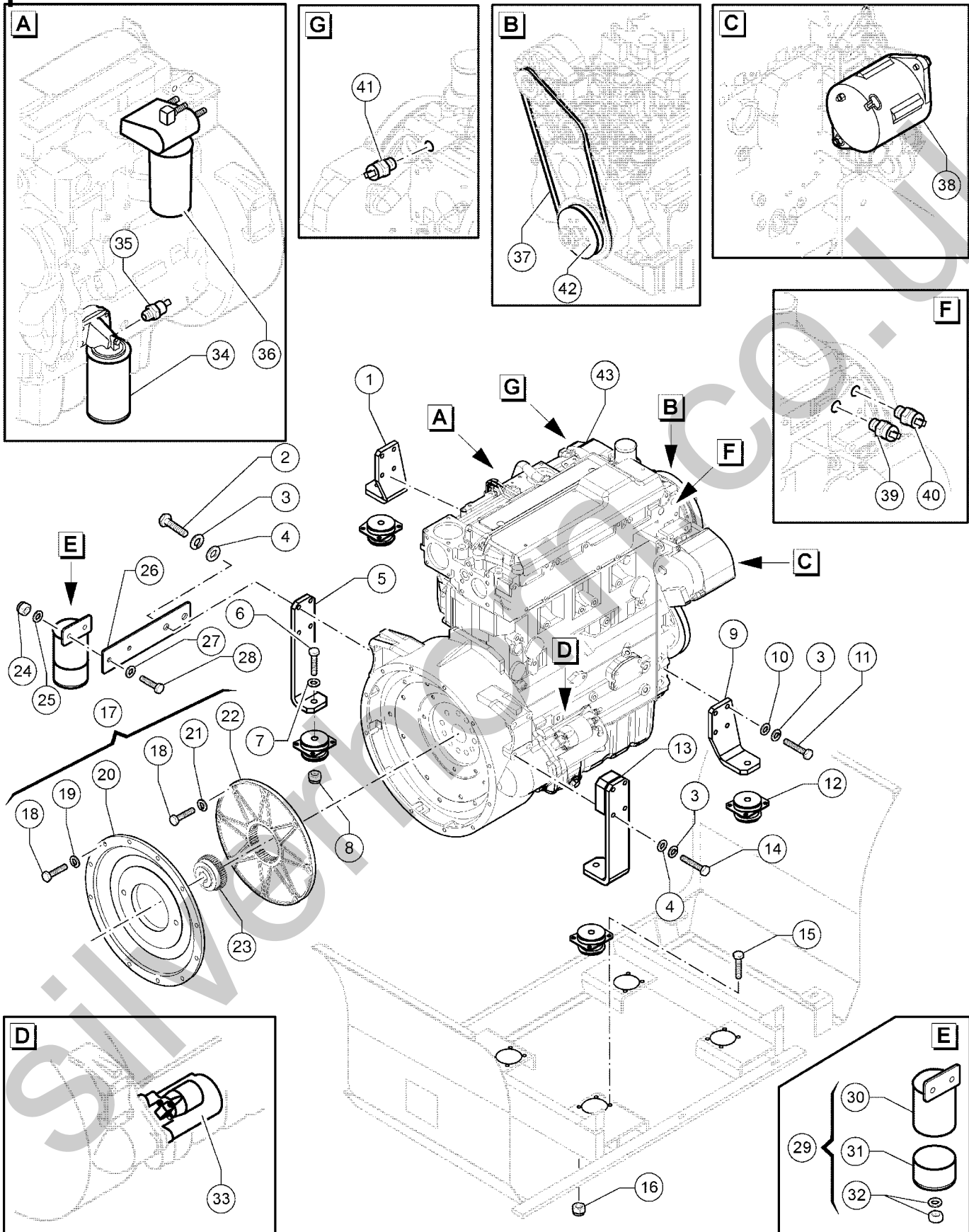
219.1 608923 Turret Rotation - Reduction Gear



219.1 608923 Turret Rotation - Reduction Gear

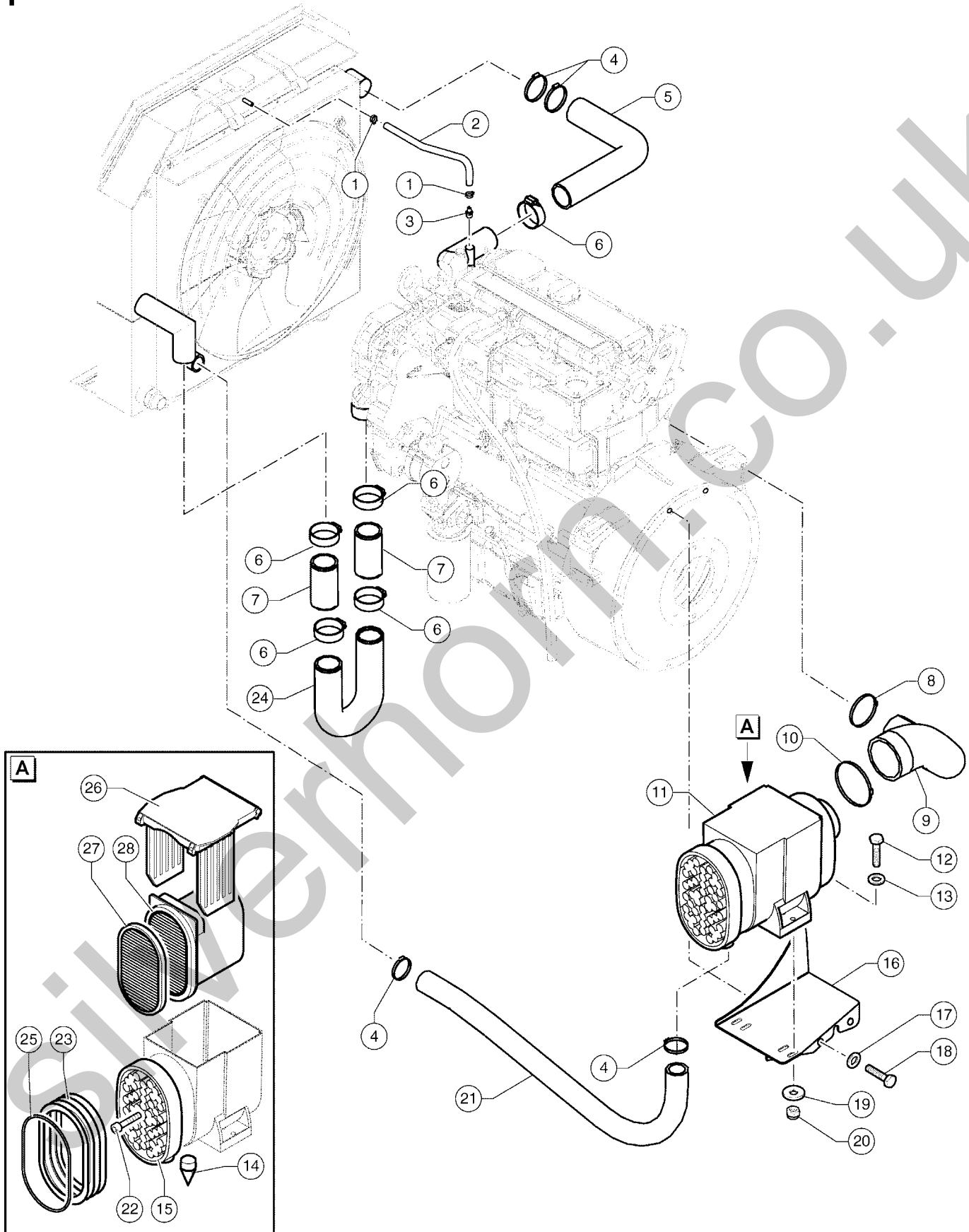
Item	Part No.	Description	Qty.	Item	Part No.	Description	Qty.
1	07.0733.0041GT	Pinion M8 Z13 H104 (Fd6).....	1	44	07.0733.0037GT	SNAP RING.....	1
2	07.0733.0008GT	Screw Uni 5933 M10x25-10.9.....	3	45	07.0733.0064GT	SCREW M10X25 UNI 5931 8.8.....	8
3	07.0733.0009GT	End Plate.....	1	46	07.0733.0057GT	Circlip Di 90X3 Uni 7437.....	1
4	07.0733.0032GT	Splined Shaft 58X53.....	1	47	07.0733.0058GT	Circlip De 55X3 Uni 7436.....	2
5	07.0733.0010GT	Nilos Ring 32215.....	1	48	07.0733.0060GT	Bearing 2Z-6011.....	1
6	07.0733.0011GT	Bearing 32215.....	1	49	07.0733.0061GT	Coupling.....	1
7	07.0733.0033GT	Output Assembly.....	1	50	07.0733.0062GT	Flange.....	1
8	07.0733.0015GT	Nut M60x2.....	1	51	905682GT	O-Ring 2,62X82,22.....	1
9	07.0733.0014GT	Spacer.....	1	52	07.0733.0029GT	O-RING.....	1
10	07.0733.0013GT	Bearing 30214.....	1				
11	07.0733.0012GT	Seal Ring 70X90x10 Basl.....	1				
12	07.0733.0042GT	Gearbox Housing.....	1				
13	07.0733.0063GT	Reduct. Assembly 1:6,20.....	1				
14	07.0733.0020GT	O-Ring 2,62X202,87.....	2				
15	07.0733.0040GT	Toothed Ring Z78 H38.....	1				
16	07.0733.0043GT	Sun Gear Z15 1:6,20.....	1				
17	07.0733.0044GT	Reduction Stage 1:6,20.....	1				
18	07.0733.0045GT	Cover.....	1				
19	07.0733.0046GT	Screw Uni 5931 M10x65-12.9.....	12				
20	07.0733.0047GT	Screw Din 7984 M10x60-8.8.....	4				
21	992335GT	O-Ring 2,62X145,72.....	2				
22	07.0733.0048GT	Reduct. Assembly 1:4,26.....	1				
23	01.0003.0255GT	SCREW M10X25 UNI 5931 8.8 ZN.....	8				
24	07.0733.0049GT	Toothed Ring Z62 H28.....	1				
25	07.0733.0050GT	Sun Gear Z19 1:4,26.....	1				
26	07.0733.0051GT	Reduction Stage 1:4,26.....	1				
27	07.0733.0052GT	Circlip Uni 7437-120.....	1				
28	07.0733.0053GT	Spacer.....	1				
29	07.0733.0054GT	Brake Shaft.....	1				
30	07.0733.0022GT	Steel Ring C.70.....	5				
31	07.0733.0023GT	Sintered Disc.....	6				
32	07.0733.0055GT	Plug 1/4"G.....	1				
33	07.0733.0056GT	Oil Level Plug M18x1,5.....	1				
34	01.0003.0261GT	SCREW M10X55 UNI 5931 8.8 ZN.....	8				
35	07.0733.0059GT	Housing Brake.....	1				
36	07.0733.0027GT	BACK-UP RING.....	1				
37	07.0733.0025GT	O-RING.....	1				
38	07.0733.0026GT	O-RING.....	1				
39	07.0733.0028GT	BACK-UP RING.....	1				
40	07.0733.0021GT	Sealing Brake Kit.....	1				
41	07.0733.0035GT	Piston.....	1				
42	992375GT	Spring.....	12				
43	07.0733.0036GT	PRESSURE PLATE.....	1				

301.1 608925 Diesel Engine



Item	Part No.	Description	Qty.
1	51.0811.1300GT	Right Support - Fan Side.....	1
2	01.0001.0401GT	SCREW M12X40 UNI 5737 8.8 ZN.....	4
3	01.4032.0005GT	SPRING WASHER D12 ZN.....	14
4	01.0031.0097GT	FLAT WASHER D12 UNI 5714 ZN.....	8
5	51.0802.0600GT	ENGINE SUPPORT,LEFT.....	1
6	01.4001.0012GT	SCREW M14X100UNI 5737 8.8 ZN.....	4
7	01.0031.0058GT	FLAT WASHER D14 UNI 6592 ZN.....	4
8	01.0023.0057GT	STOP NUT M14 UNI 7473 6S ZN.....	4
9	51.0811.1400GT	Left Support - Fan Side.....	1
10	01.0031.0057GT	WASHER,D12 UNI 6592 ZN.....	6
11	01.4001.0040GT	Screw TE M12X50 UNI 5737 10.9ZN.....	6
12	09.4670.0004GT	VIBRATION DAMPING.....	4
13	51.0802.0700GT	ENGINE SUPPORT,RIGHT.....	1
14	01.0001.0409GT	SCREW M12X80 UNI 5737 8.8 ZN.....	4
15	01.0001.0056GT	SCREW M10X30 UNI 5739 8.8 ZN.....	16
16	01.0023.0055GT	NUT,STOP,M10 UNI 7473 6S ZN.....	16
17	09.0804.0000GT	FLYWHEEL ASSY.....	1
18	07.0713.0024GT	Screw.....	20
19	07.0713.0023GT	WASHER.....	12
20	638747GT	PROTECTION.....	1
21	07.0713.0008GT	WASHER D10.....	8
22	638748GT	ELASTIC JOINT.....	1
23	638744GT	Hub.....	1
24	01.0023.0054GT	NUT,M8 UNI 7473 6S ZN.....	2
25	01.0031.0299GT	FLAT WASHER D8 UNI 6593 ZN.....	2
26	51.0811.4122GT	Bracket.....	1
27	01.0031.0055GT	FLAT WASHER D8 UNI 6592 ZN.....	2
28	01.0001.0257GT	SCREW M8X30 UNI 5739 8.8 ZN.....	2
29	07.4501.0163GT	Complete Diesel Prefilter.....	1
30	07.4501.0164GT	Diesel Prefilter Body.....	1
31	07.4501.0165GT	Diesel Prefilter Element.....	1
32	07.4501.0166GT	Diesel Prefilter Element Kit.....	1
33	07.4501.0159GT	Starter Motor.....	1
34	638243GT	Oil Filter.....	1
35	56.0013.0031GT	OIL PRESSURE SWITCH.....	1
36	07.4501.0057GT	FILTER, DIESEL FUEL.....	1
37	07.4501.0176GT	Belt.....	2
38	07.4501.0158GT	Alternator.....	1
39	56.0013.0013GT	TRANSDUCER.....	1
40	56.0013.0030GT	WATER TEMPERATURE LEVEL THERMISTOR.....	1
41	56.0012.0069GT	Addition Fuel Thermistor.....	1
42	07.4501.0177GT	Pulley D.200.....	1
43	09.4601.0056GT	Diesel Engine.....	1

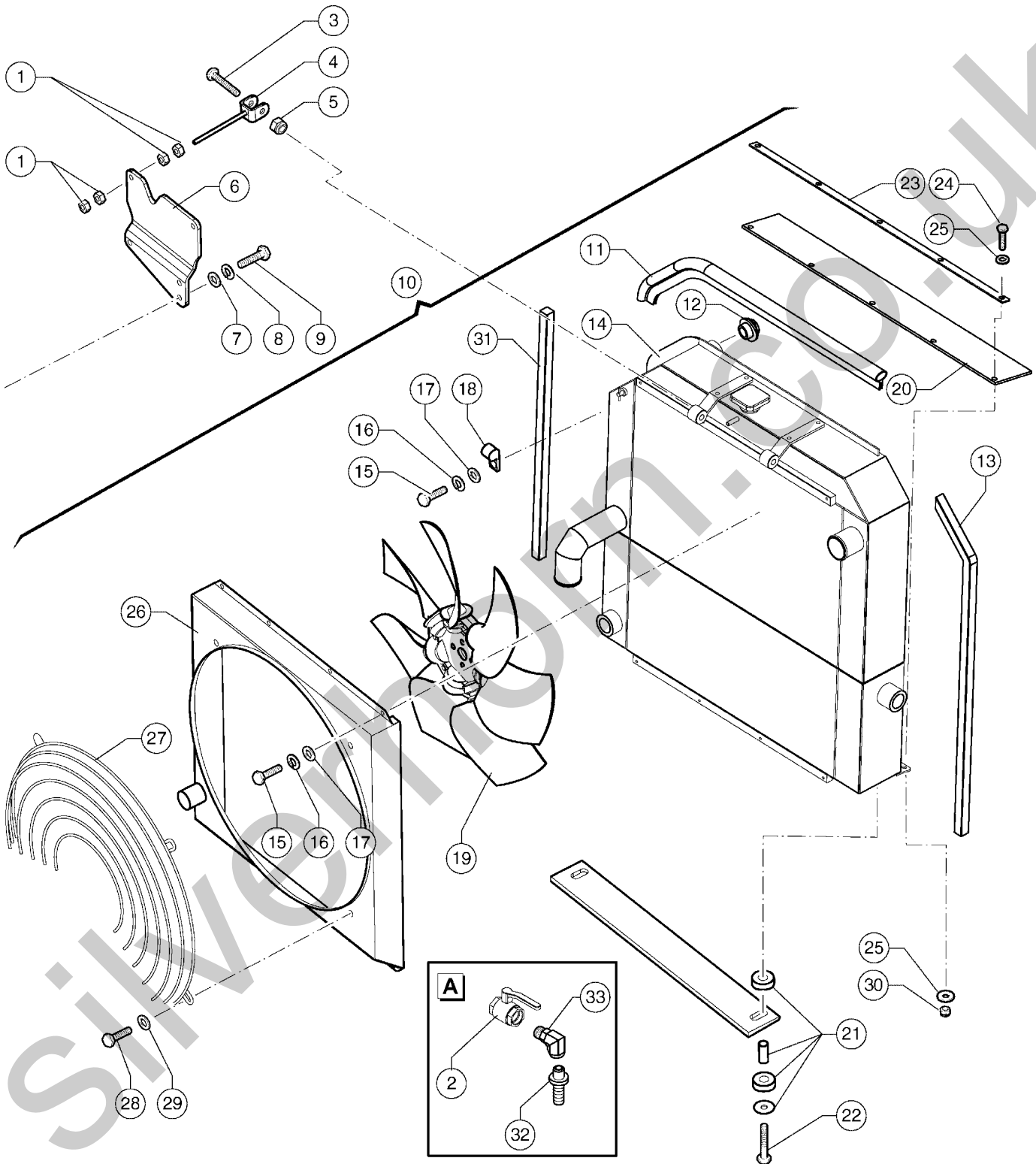
302.1 608926 Engine Cooling System - Air Filter



302.1 608926 Engine Cooling System - Air Filter

Item	Part No.	Description	Qty.
1	04.0027.0051GT	Clamp.....	2
2	09.0805.0000GT	RUBBER HOSE.....	0,7-m
3	09.0806.0008GT	DOOR RUBBER/PIPE FITTING.....	1
4	04.0227.0058GT	CLAMP DN 40/60 LG12.....	4
5	09.0805.0220GT	RUBBER ELBOW.....	1
6	04.4227.0010GT	Clamp.....	5
7	09.0805.0114GT	Rubber Pipe.....	2
		<i>0,16 m.</i>	
8	04.4227.0000GT	CLAMP DN 60/80 LG12.....	1
9	09.0805.0090GT	Manifold.....	1
10	04.4227.0001GT	CLAMP DN 80/100 LG12.....	1
11	09.4604.0070GT	Air Filter.....	1
12	01.0001.1465GT	SCREW M8X40 UNI 5739 8.8 ZN.....	2
13	01.0031.0055GT	FLAT WASHER D8 UNI 6592 ZN.....	2
14	09.4604.0088GT	Dust Exhaust Valve.....	1
15	07.4501.0270GT	Lateral Cover.....	1
16	51.0810.9200GT	Bracket.....	1
17	01.4032.0004GT	SPRING WASHER D10 ZN.....	2
18	01.0001.0356GT	SCREW M10X30 UNI 5739 8.8 ZN.....	2
19	01.4031.0004GT	FLAT WASHER D8X32 UNI 6593 ZN.....	2
20	01.0023.0054GT	NUT,M8 UNI 7473 6S ZN.....	2
21	09.0805.0018GT	HOSE D40.....	1
22	07.4501.0190GT	Screw.....	1
23	53.3332.0037GT	Rubber Below.....	1
24	52.0900.9309GT	Elbow Iron Pipe.....	1
25	51.0811.4623GT	STOP RING.....	1
26	07.4501.0130GT	COVER.....	1
27	07.4501.0191GT	Main Cartridge.....	1
28	07.4501.0192GT	Main Cartridge.....	1

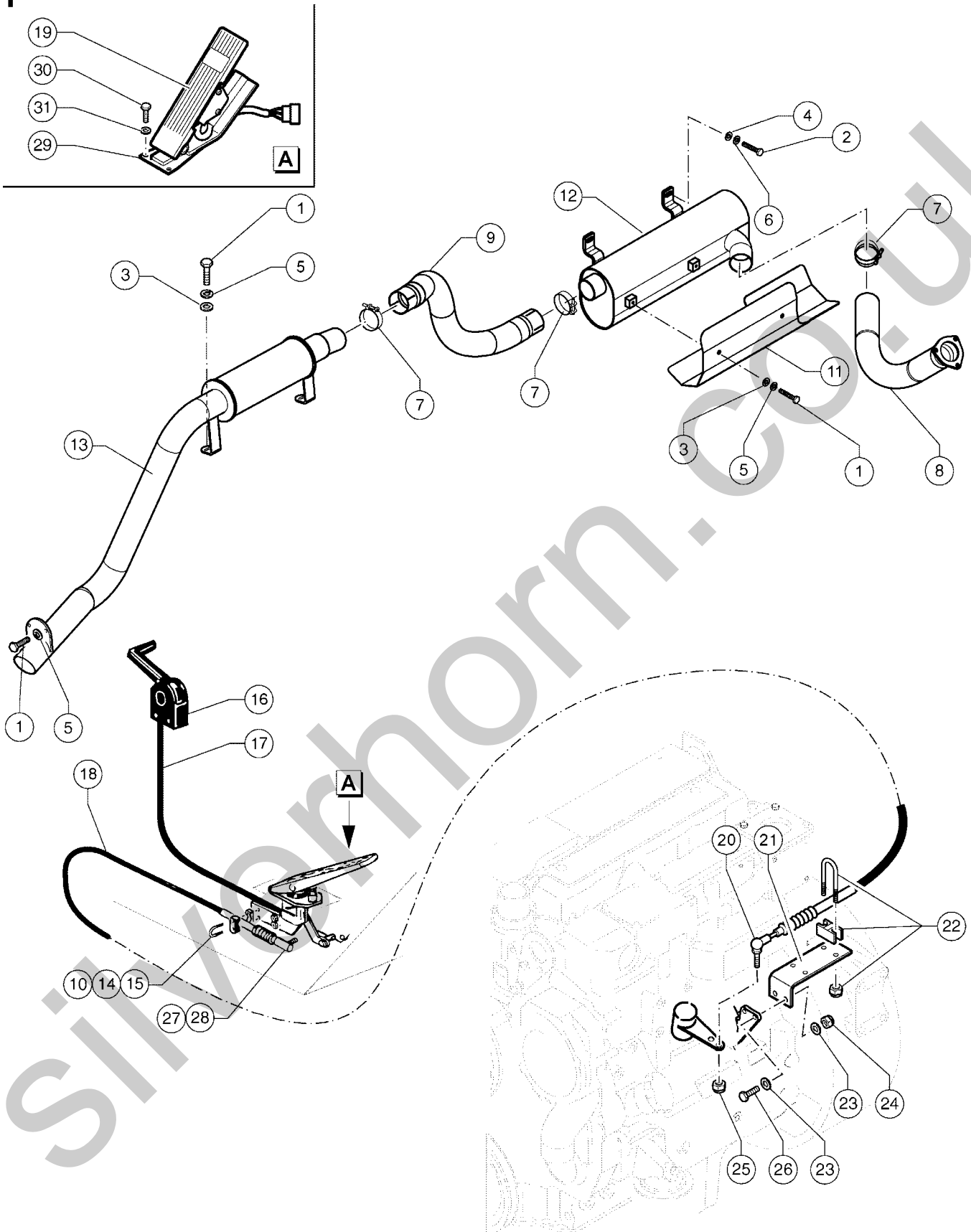
303.1 608927 Engine Heatsink



303.1 608927 Engine Heatsink

Item	Part No.	Description	Qty.
1	01.00190105GT	NUT M10 UNI 5588 6S ZN.....	8
2	09.0806.0028GT	BALL VALVE 1/4F-F.....	1
3	01.0001.0405GT	SCREW, 8.8 HCS 12MM1.75X60Z.....	2
4	51.0811.4095GT	Pull Bracket.....	2
5	01.0023.0056GT	STOP NUT M12 UNI 7473 6S ZN.....	2
6	51.0811.4017GT	Bracket.....	1
7	01.0031.0056GT	FLAT WASHER D10 UNI 6592 ZN.....	3
8	01.4032.0004GT	SPRING WASHER D10 ZN.....	3
9	01.0001.0356GT	SCREW M10X30 UNI 5739 8.8 ZN.....	3
10	53.3200.0052GT	Complete Heatsink.....	1
11	09.0803.0574GT	GASKET.....	1-m
12	09.4661.0025GT	INDICATOR,OPTICAL LEVEL.....	1
13	09.0803.0052GT	GASKET.....	0.8-m
14	07.0712.0141GT	Heatsink Body.....	1
15	01.0001.0154GT	SCREW M6X16 UNI 5739 8.8 ZN.....	10
16	01.4032.0002GT	SPRING WASHER D6 ZN.....	10
17	01.0031.0054GT	FLAT WASHER D6 UNI 6592 ZN.....	10
18	04.4227.0018GT	Clamp D16.....	2
19	09.4605.0013GT	Fan.....	1
20	51.0811.4094GT	Rubber Plate 100X5 LG.705.....	1
21	07.0723.0360GT	VIBRATION DAMPING KIT.....	2
22	01.4001.0089GT	SCREW M12X70 UNI 5737 8.8 ZN.....	2
23	07.0712.0146GT	Radiator Plate.....	1
24	01.0001.0256GT	SCREW M8X25 UNI 5739 8.8 ZN.....	5
25	01.0031.0055GT	FLAT WASHER D8 UNI 6592 ZN.....	10
26	07.0712.0142GT	Air Conveyor.....	1
27	07.0712.0143GT	Air Conveyor Protection.....	1
28	01.4001.0078GT	SCREW M8X20 DIN 6923 8.8 ZN.....	4
29	01.0031.0299GT	FLAT WASHER D8 UNI 6593 ZN.....	4
30	01.0023.0054GT	NUT,M8 UNI 7473 6S ZN.....	5
31	07.0723.0197GT	Rubber Seal.....	0.7-m
32	09.0806.0008GT	DOOR RUBBER/PIPE FITTING.....	1
33	09.0806.0022GT	Pipe Fitting 1/4" M-F ZN.....	1

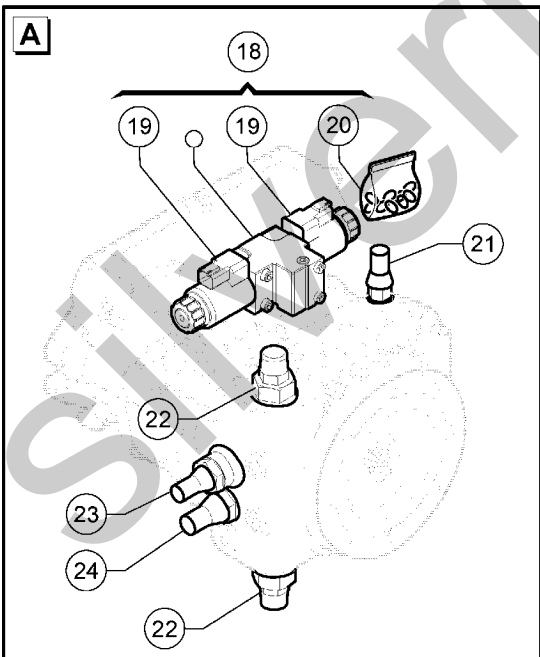
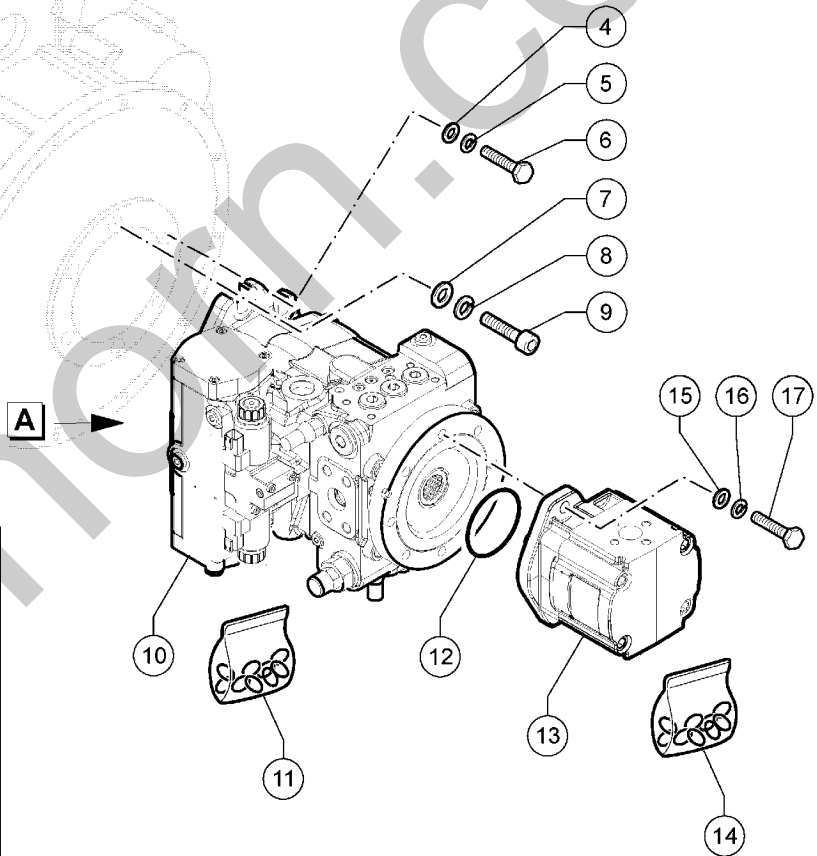
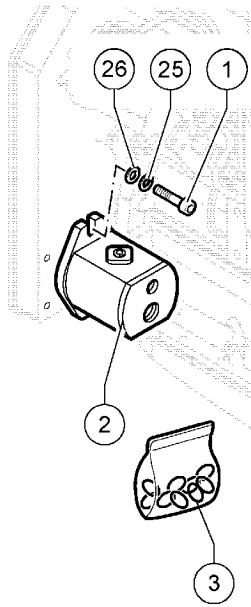
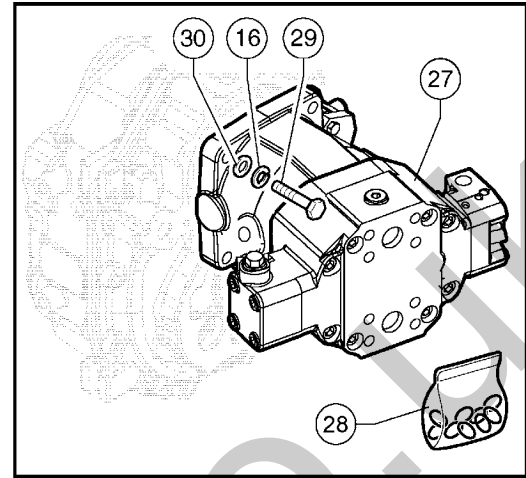
304.1 608928 Exhaust System And Accelerator



304.1 608928 Exhaust System And Accelerator

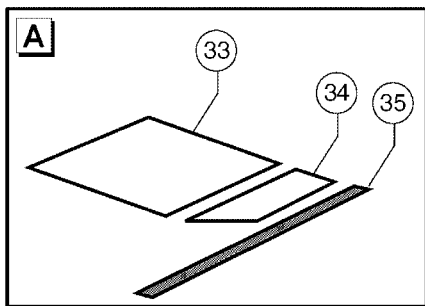
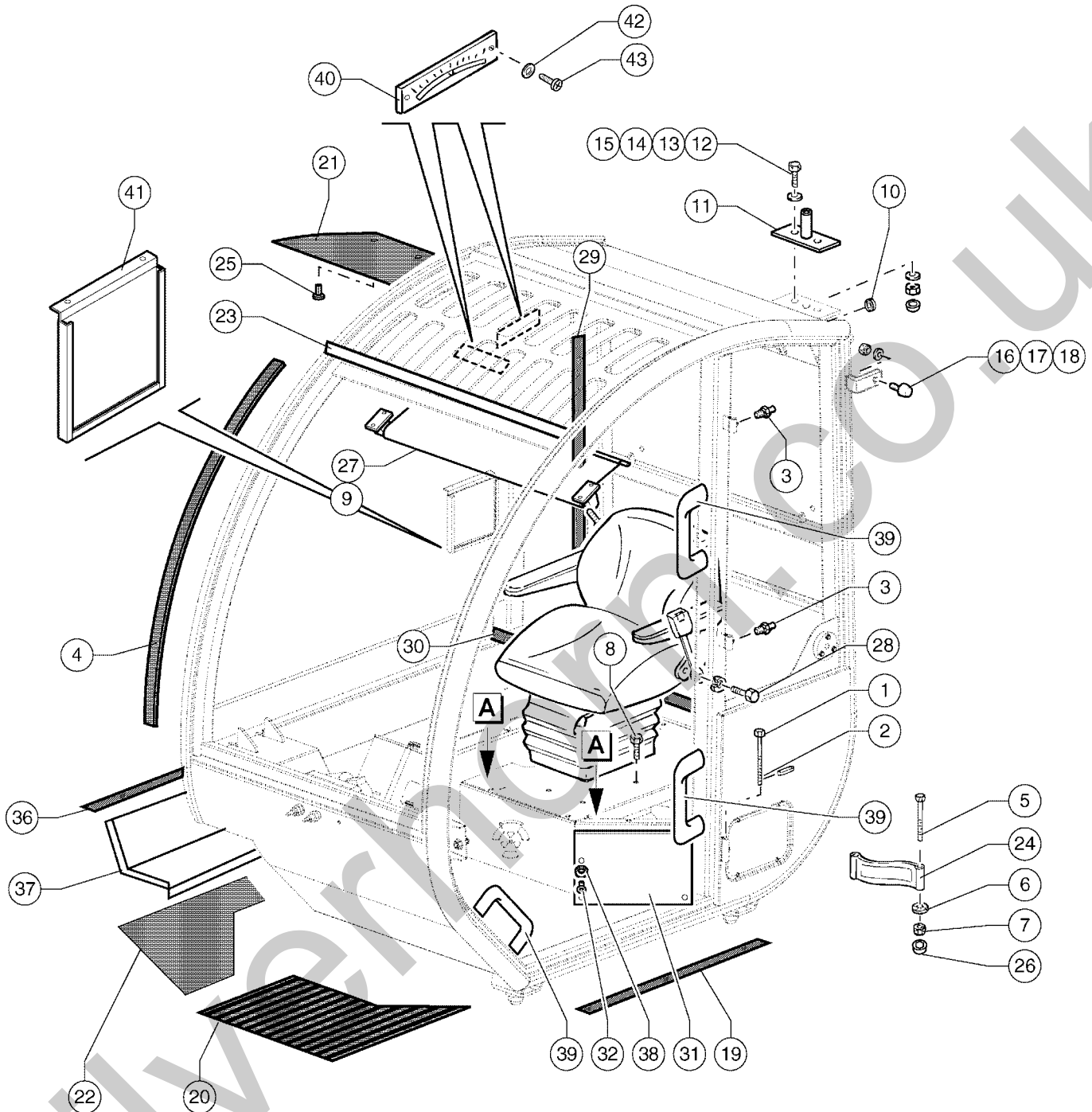
Item	Part No.	Description	Qty.
1	01.0001.0254GT	SCREW M8X20 UNI 5739 8.8 ZN.....5	5
2	01.0001.0355GT	SCREW M10X25 UNI 5739 8.8 ZN.....1	1
3	01.0031.0299GT	FLAT WASHER D8 UNI 6593 ZN.....3	3
4	01.0031.0301GT	FLAT WASHER D10 UNI 6593 ZN.....1	1
5	01.4032.0003GT	SPRING WASHER D8 ZN.....5	5
6	01.4032.0004GT	SPRING WASHER D10 ZN.....1	1
7	09.0803.0348GT	CLAMP.....3	3
8	09.0805.0099GT	Flexible Exhaust Pipe.....1	1
9	09.0805.0112GT	Second Flexible Exhaust Pipe.....1	1
10	51.0810.2000GT	Support.....1	1
11	51.0903.3600GT	Muffler Guard.....1	1
12	53.3100.0041GT	Muffler.....1	1
13	53.3100.0055GT	Main ExHaust Muffler.....1	1
14	01.0031.0053GT	FLAT WASHER D5 UNI 6592 ZN.....2	2
15	01.0023.0052GT	STOP NUT M5 UNI 7473 6S ZN.....2	2
16	09.4655.0000GT	GAS LEVER.....1	1
17	09.4645.0033GT	Hand gas control cable.....1	1
18	09.4645.0015GT	Gas Cable.....1	1
19	09.4656.0006GT	ACCELERATOR PEDAL.....1 To S.N. GTH5021R16M-146	1
19	09.4656.0017GT	ACCELERATOR PEDAL.....1 From S.N. GTH5021R16M-147	1
20	09.0803.0008GT	JOINT D6.....1	1
21	51.0810.2500GT	Bracket.....1	1
22	09.0803.0007GT	Cable Fixing Kit.....1	1
23	01.0031.0053GT	FLAT WASHER D5 UNI 6592 ZN.....2	2
24	01.0023.0052GT	STOP NUT M5 UNI 7473 6S ZN.....2	2
25	01.0023.0053GT	STOP NUT M6 UNI 7473 6S ZN.....1	1
26	01.0001.1438GT	SCREW M5X20 UNI 5739 8.8 ZN.....2	2
27	09.0803.0008GT	JOINT D6.....1	1
28	01.0023.0053GT	STOP NUT M6 UNI 7473 6S ZN.....1	1
29	51.0811.4657GT	BRACKET.....1 To S.N. GTH5021R16M-146	1
29	51.0811.4735GT	Bracket.....1 From S.N. GTH5021R16M-147	1
30	01.0001.0156GT	SCREW M6X20 UNI 5739 8.8 ZN.....3 To S.N. GTH5021R16M-146	3
30	01.4006.0011GT	SCREW M6X20 UNI 5933 10.9 ZN.....2 From S.N. GTH5021R16M-147	2
31	01.0031.0298GT	FLAT WASHER D6 UNI 6593 ZN.....3	3

305.1 608929 Hydraulic Pumps



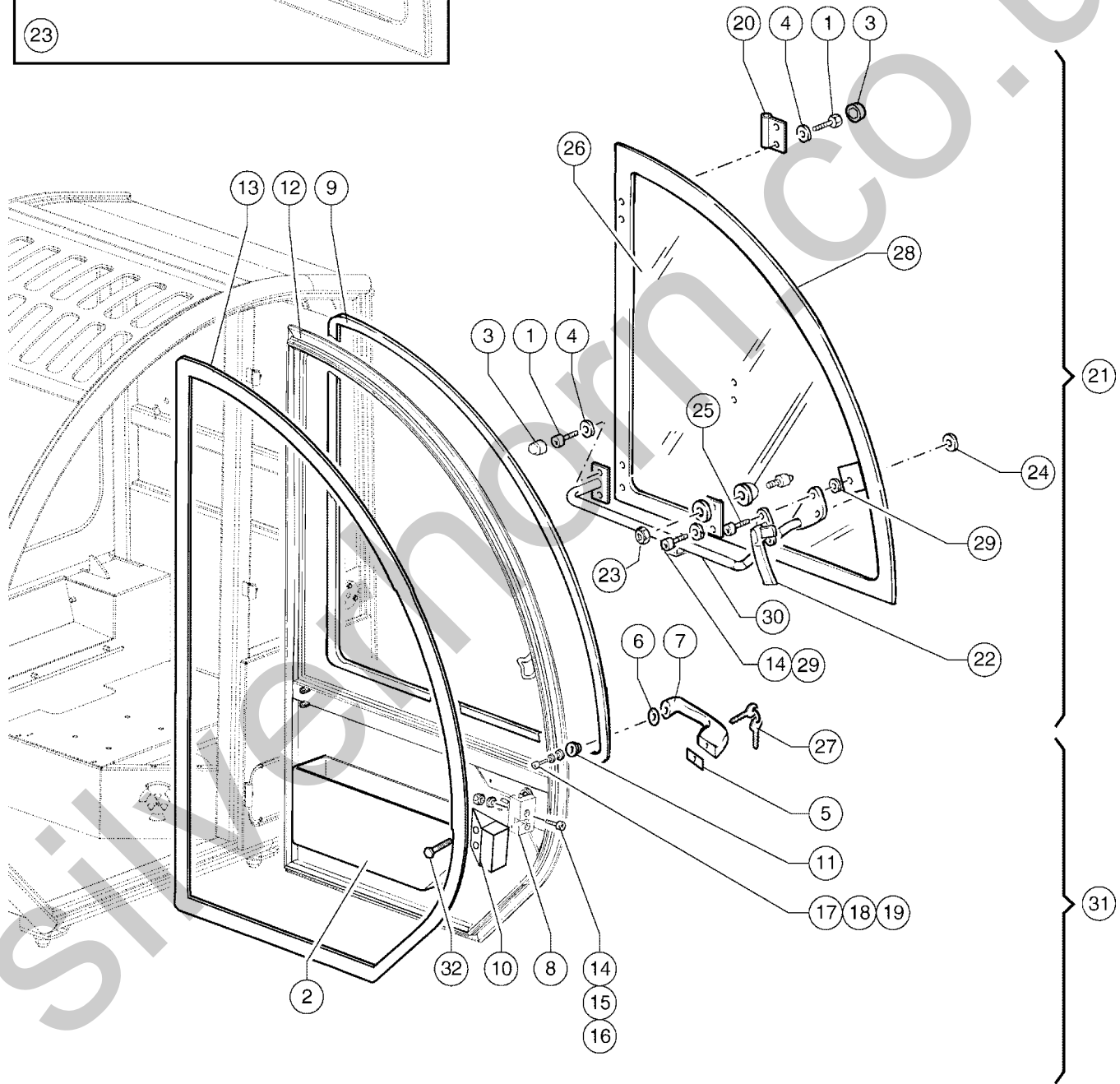
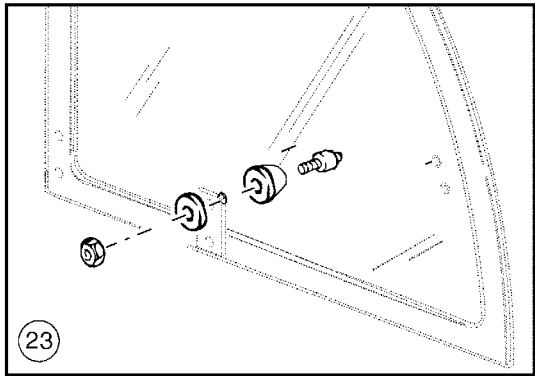
Item	Part No.	Description	Qty.
1	01.0003.0256GT	SCREW M10X30 UNI 5931 8.8 ZN.....1	1
2	04.4238.0086GT	Hydraulic Pump 1.....1	1
3	07.4529.0031GT	SEAL KIT.....1	1
4	01.0031.0098GT	WASHER D14 UNI 5714 ZN.....4	4
5	01.4032.0006GT	SPRING WASHER D14 ZN.....4	4
6	01.0001.0606GT	SCREW M14X40 UNI 5739 8.8 ZN.....4	4
7	01.0031.0099GT	FLAT WASHER D16 UNI 5714 ZN.....2	2
8	01.4032.0007GT	SPRING WASHER D16 ZN.....2	2
9	01.4003.0001GT	Screw TCEI M16X40 UNI5931 8.8ZN....2	2
10	04.4238.0071GT	PUMP.....1	1
11	07.0701.0197GT	HYDRAULIC PUMP 2 SEAL KIT.....1	1
12	06.0401.0123GT	O-RING.....1	1
13	04.4238.0075GT	Hydraulic Pump 3.....1	1
14	07.0722.0060GT	Joint Kit Pump 3.....1	1
15	01.0031.0097GT	FLAT WASHER D12 UNI 5714 ZN.....2	2
16	01.4032.0005GT	SPRING WASHER D12 ZN.....6	6
17	01.0001.0401GT	SCREW M12X40 UNI 5737 8.8 ZN.....2	2
18	07.0701.0243GT	Complete Solenoid Valve.....1	1
19	07.0701.0242GT	SOLENOID.....2	2
20	07.0701.0252GT	SOLENOID VALVE SEAL KIT.....1	1
21	07.0701.0248GT	PRESSURE OVERRIDE VALVE.....1	1
22	07.0701.0247GT	MAX PRESSURE VALVE.....2	2
23	07.0701.0241GT	VALVE.....1	1
24	07.0701.0216GT	PRESSURE RELIEF VALVE.....1	1
25	01.4032.0004GT	SPRING WASHER D10 ZN.....2	2
26	01.0031.0056GT	FLAT WASHER D10 UNI 6592 ZN.....2	2
27	04.4235.0052GT	Hydraulic Motor.....1 To SN GTH5021R17M-176	1
27	04.4235.0064GT	Hydraulic Motor.....1 From SN GTH5021R17M-177	1
28	07.0701.0203GT	HYDRAULIC MOTOR SEAL KIT.....1 To SN GTH5021R17M-176	1
28	07.0701.0343GT	HYDRAULIC MOTOR SEAL KIT.....1 From SN GTH5021R17M-177	1
29	01.0001.0402GT	SCREW M12X45 UNI 5737 8.8 ZN.....4	4
30	01.0031.0057GT	WASHER,D12 UNI 6592 ZN.....4	4

401.1 608930 Cab, View 1



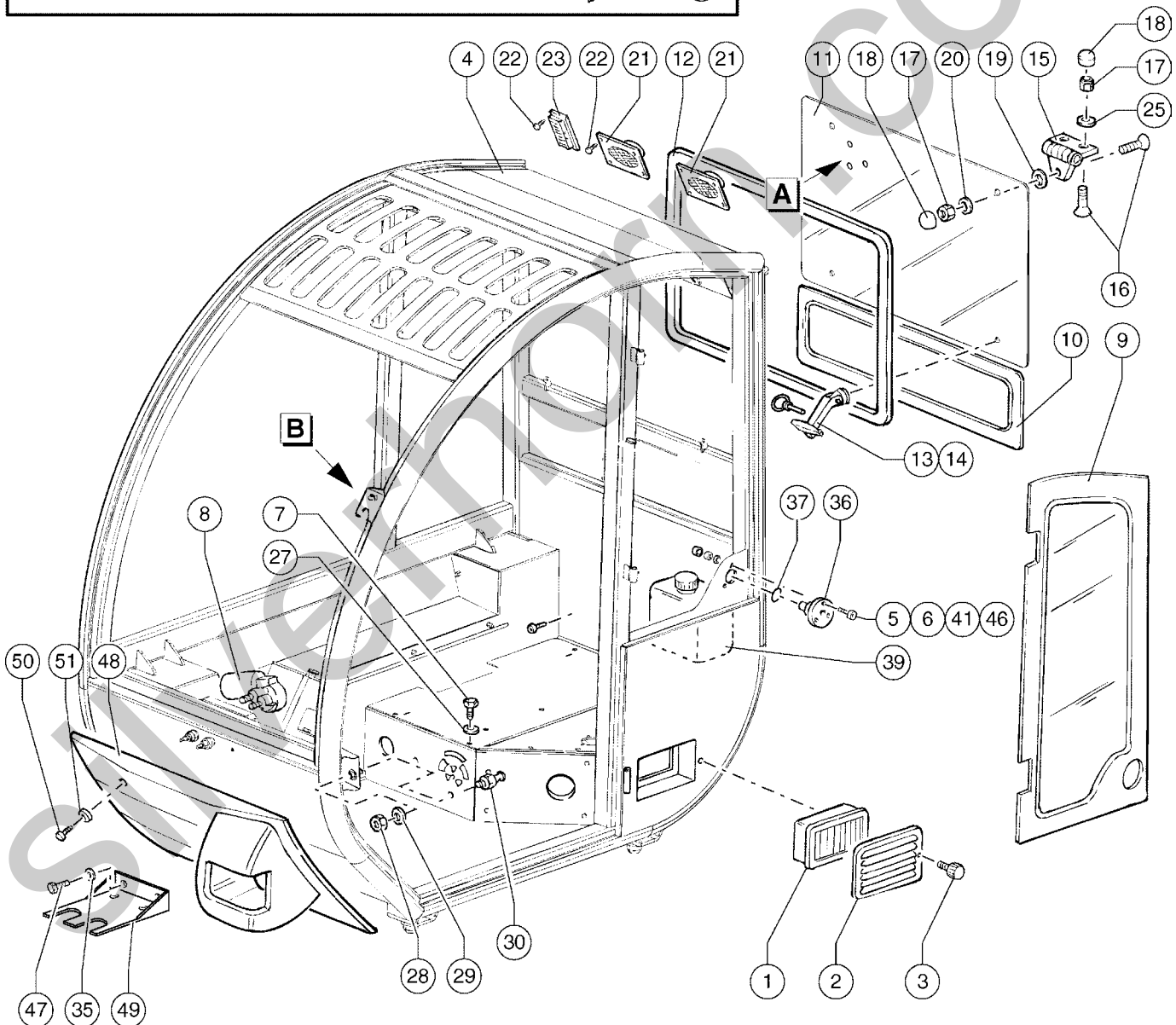
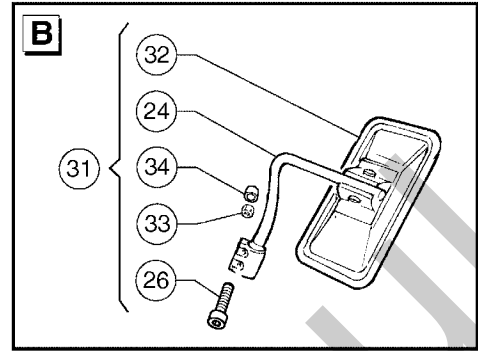
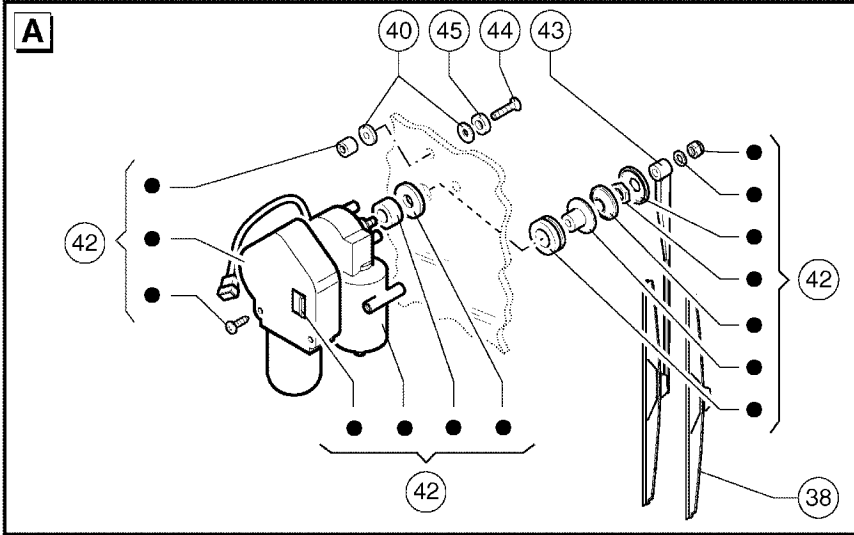
Item	Part No.	Description	Qty.	Item	Part No.	Description	Qty.
1	07.0740.0000GT	PIN.....	3	43	01.4001.0061GT	SCREW M4X20 UNI 7687 ZN.....	4
2	07.0740.0001GT	SPLIT PIN.....	3				
3	07.0740.0002GT	GREASER.....	3				
4	07.0740.0022GT	ADHESIVE PROFILE0.8-m					
5	07.0740.0004GT	SCREW.....	2				
6	07.0740.0005GT	Stop nut.....	2				
7	07.0740.0006GT	WASHER 6.4X12.....	2				
8	07.0740.0116GT	SCREW FE TGS T+ M6X25 UNI 7689 ZN.....	4				
9	07.0740.0128GT	SCREW.....	4				
10	07.0740.0009GT	RUBBER GROMMET.....	3				
11	07.0740.0010GT	Flashing Beacon Bracket.....	1				
12	01.0001.0254GT	SCREW M8X20 UNI 5739 8.8 ZN.....	2				
13	01.0031.0055GT	FLAT WASHER D8 UNI 6592 ZN.....	9				
14	01.0023.0054GT	NUT,M8 UNI 7473 6S ZN.....	2				
15	07.0740.0014GT	NUT,PROTECTION.....	8				
16	07.0740.0015GT	BUMP STOP,RUBBER.....	1				
17	01.0023.0054GT	NUT,M8 UNI 7473 6S ZN.....	2				
18	01.0031.0299GT	FLAT WASHER D8 UNI 6593 ZN.....	1				
19	07.0740.0018GT	Non-Skid Coating.....0.70-m					
20	07.0740.0235GT	RUBBER CARPET.....	1				
21	07.0740.0020GT	ROOF COVERING.....	1				
22	07.0740.0021GT	COVERING.....	1				
23	09.0803.0560GT	GASKET.....	1				
24	07.0740.0054GT	STOP BELT.....	1				
25	07.0740.0027GT	CAP.....	4				
26	07.0740.0028GT	HEX HEAD CAP.....	2				
27	07.0740.0236GT	SUNSHIELD CURTAIN KIT.....	1				
28	07.0740.0128GT	SCREW.....	4				
29	07.0740.0022GT	ADHESIVE PROFILE0.87-m					
30	07.0740.0022GT	ADHESIVE PROFILE0.5-m					
31	51.0811.4675GT	COVER.....	1				
32	07.0740.0116GT	SCREW FE TGS T+ M6X25 UNI 7689 ZN.....	4				
33	51.0811.4686GT	SUPPORT,SEAT.....	1				
34	51.0811.4674GT	COVER.....	1				
35	07.0740.0091GT	GASKET.....2-m					
36	07.0740.0091GT	GASKET.....2-m					
37	07.0740.0518GT	CONNECTORS HOLDER.....	1				
38	09.0803.0012GT	WASHER D6.....	4				
39	07.0740.0076GT	Handle.....	2				
40	09.4610.0057GT	BUBBLE LEVEL.....	2				
41	51.0811.4678GT	SUPPORT,LOAD CHARTS.....	1				
42	01.4031.0007GT	FLAT WASHER D4 UNI 6592.....	4				

402.1 608931 Cab, View 2



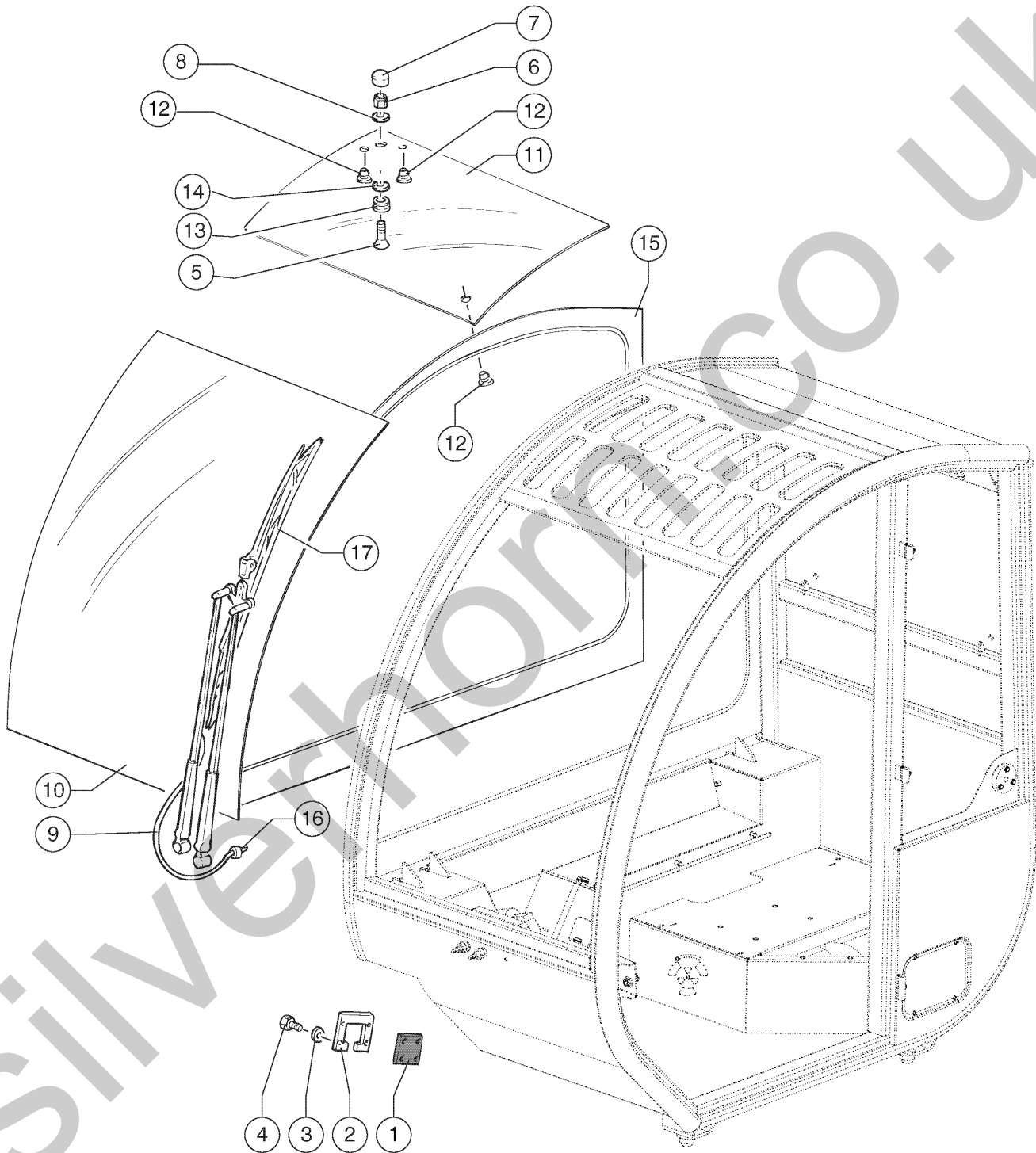
Item	Part No.	Description	Qty.
1	07.0740.0275GT	SCREW M8X12.....	4
2	52.1200.5535GT	COATING.....	1
3	07.0740.0014GT	NUT,PROTECTION.....	8
4	07.0740.0026GT	WASHER.....	6
5	07.0740.0048GT	GASKET.....	1
6	07.0740.0049GT	GASKET.....	1
7	09.0803.0808GT	HANDLE.....	1
8	07.0740.0051GT	DOOR LOCK.....	1
9	07.0740.0052GT	ADHESIVE GASKET.....03:05-m	
10	52.1200.5534GT	DOOR LOCK COVER.....	1
11	07.0740.0035GT	BUSHING.....	1
12	51.1100.0039GT	Door Frame.....	1
13	07.0740.0058GT	DOOR SEAL.....04:05-m	
14	01.4006.0007GT	SCREW M8X40 UNI 5933 10.9 ZN.....	2
15	01.0019.0104GT	NUT M8 UNI 5588 6S ZN.....	2
16	01.4032.0015GT	Washer 8.4x142.....	2
17	07.0740.0060GT	Screw.....	1
18	07.0740.0231GT	Plug.....	1
19	07.0740.0062GT	WASHER.....	1
20	07.0740.0276GT	Hinge.....	2
21	07.0740.0373GT	UPPER DOOR ASSY.....	1
22	07.0740.0029GT	HANDLE.....	1
23		See 400 Cab, Figure 608932 - Position 36	
24	07.0740.0228GT	Rubber.....	6
25	07.0740.0227GT	SCREW.....	2
26	07.0740.0279GT	Glass.....	1
27	09.0803.0685GT	KEY.....	1
28	51.0811.4092GT	Frame.....	1
29	07.0740.0223GT	Washer.....	6
30	07.0740.0514GT	HANDLE.....	1
31	07.0740.0250GT	COMPLETE LOWER DOOR SECTION..	1
32	01.4001.0116GT	SCREW TCB T 3.9X16 UNI 6954.....	2

403.1 608932 Cab, View 3



Item	Part No.	Description	Qty.	Item	Part No.	Description	Qty.
1	07.0740.0066GT	AIR FILTER.....	1	44	07.0740.0163GT	Screw.....	2
2	51.0811.4724GT	AIR GRID.....	1	45	07.0740.0117GT	WASHER.....	2
3	07.0740.0130GT	KNOB.....	2	46	07.0740.0105GT	SCREW M6X30.....	3
4	51.1100.0041GT	Frame Cab.....	1	47	07.0740.0095GT	SCREW.....	4
5	07.0740.0028GT	HEX HEAD CAP.....	6	48	52.1200.5545GT	Cover.....	1
6	07.0740.0006GT	WASHER 6.4X12.....	10	49	07.0740.0115GT	BRACKET.....	1
7	01.0001.0254GT	SCREW M8X20 UNI 5739 8.8 ZN.....	18	50	07.0740.0116GT	SCREW FE TGS T+ M6X25 UNI 7689 ZN.....	4
8	07.0740.0072GT	Wiper motor.....	1	51	07.0740.0117GT	WASHER.....	4
9	07.0740.0073GT	LEFT SIDE GLASS.....	1				
10	07.0740.0074GT	REAR LOWER GLASS.....	1				
11	07.0740.0246GT	REAR GLASS.....	1				
12	07.0740.0052GT	ADHESIVE GASKET.....02:05-m					
13	07.0740.0076GT	Handle.....	2				
14	02.4102.0013GT	Stop.....	2				
15	07.0740.0078GT	Hinge.....	2				
16	07.0740.0079GT	Screw.....	7				
17	07.0740.0046GT	Stop nut.....	7				
18	07.0740.0014GT	NUT,PROTECTION.....	7				
19	07.0740.0080GT	Rubber.....	2				
20	07.0740.0081GT	WASHER.....	3				
21	07.0740.0082GT	COVER,SPEAKER.....	2				
22	01.4001.0116GT	SCREW TCB T 3.9X16 UNI 6954.....	10				
23	07.0740.0084GT	CEILING LIGHT.....	1				
24	07.0740.0203GT	Mirror Bracket.....	1				
25	07.0740.0026GT	WASHER.....	12				
26	01.0003.0203GT	SCREW M8X20 UNI 5931 8.8 ZN.....	2				
27	01.0001.0299GT	WASHER D10 UNI 6593 ZN.....	16				
28	07.0740.0103GT	NUT M12X1.....	1				
29	07.0740.0102GT	WASHER.....	2				
30	07.0740.0100GT	STOP PIN.....	1				
31	07.0740.0097GT	Complete Mirror.....	1				
32	07.0740.0202GT	COMPLETE MIRROR.....	1				
33	01.0023.0054GT	NUT,M8 UNI 7473 6S ZN.....	2				
34	07.0740.0014GT	NUT,PROTECTION.....	2				
35	07.0740.0012GT	WASHER.....	16				
36	07.0740.0104GT	DOOR CATCH.....	1				
37	07.0740.0106GT	GASKET,RUBBER.....	1				
38	07.0740.0248GT	WIPER BLADE.....	1				
39	07.0740.0098GT	TANK.....	1				
40	07.0740.0016GT	WASHER 6.5X18.....	4				
41	07.0740.0005GT	Stop nut.....	3				
42	07.0740.0247GT	REAR WIPER KIT.....	4				
43	07.0740.0156GT	Wiper arm.....	1				

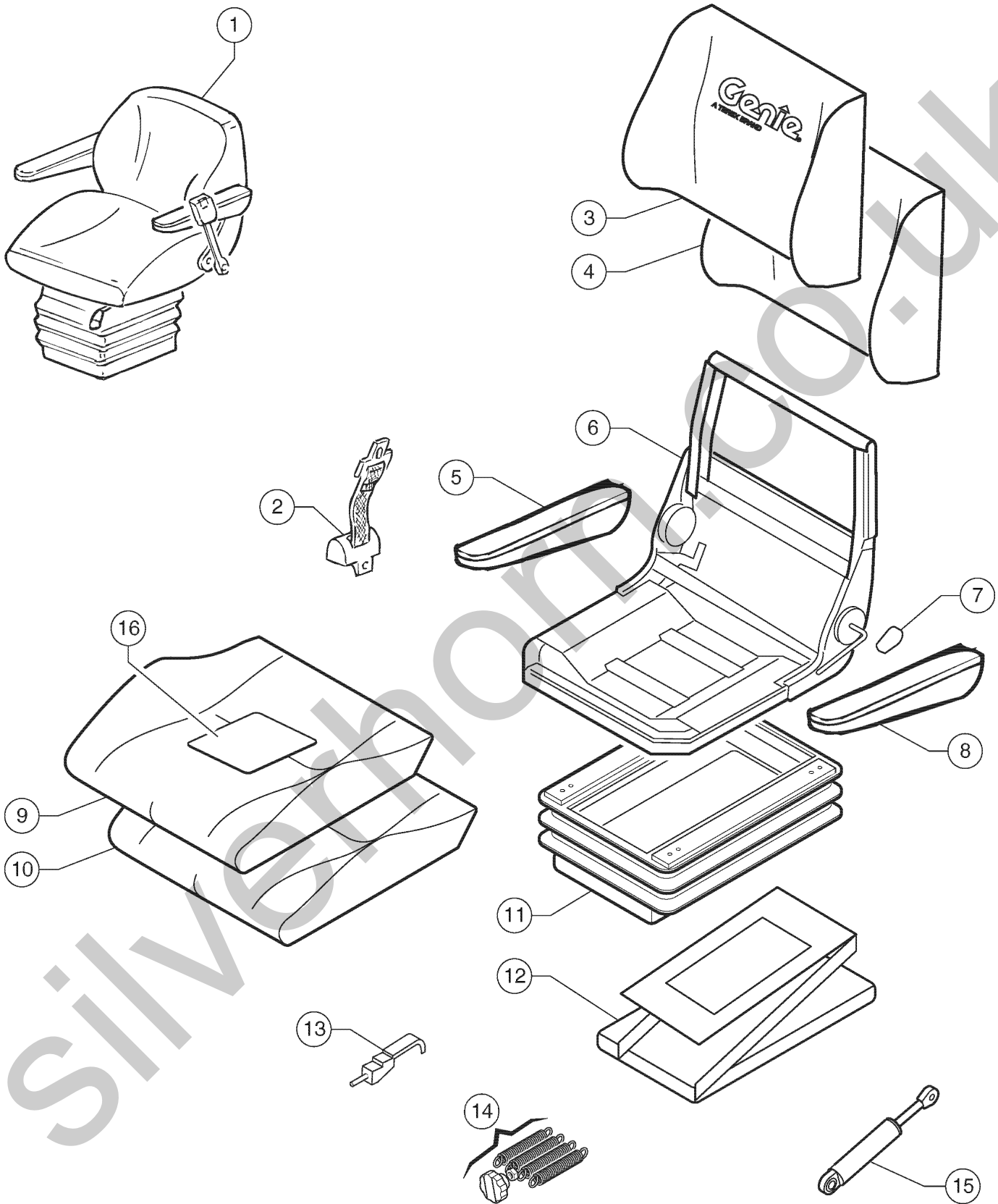
404.1 608933 Cab, View 4



Silverline.co.uk

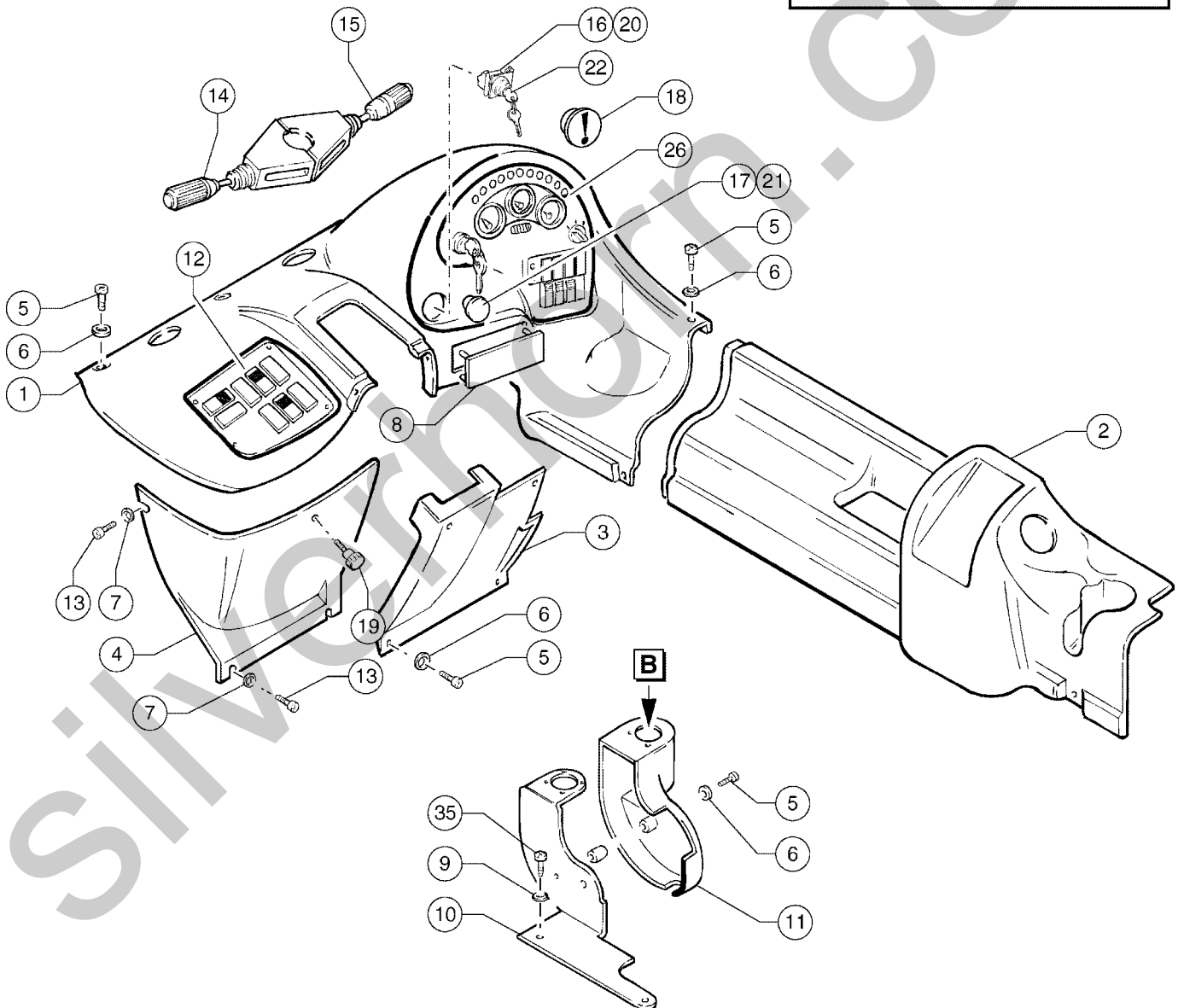
Item	Part No.	Description	Qty.
1	07.0740.0069GT	GASKET	1
2	07.0740.0512GT	HOSE GUIDE.....	1
3	01.0031.0055GT	FLAT WASHER D8 UNI 6592 ZN.....	12
4	01.0001.0254GT	SCREW M8X20 UNI 5739 8.8 ZN.....	16
5	07.0740.0079GT	Screw.....	7
6	07.0740.0046GT	Stop nut.....	7
7	07.0740.0014GT	NUT,PROTECTION.....	7
8	07.0740.0081GT	WASHER.....	3
9	07.0740.0088GT	Wiper arm.....	1
10	07.0740.0087GT	WINDSHIELD.....	1
11	07.0740.0085GT	ROOF GLASS.....	1
12	07.0740.0009GT	RUBBER GROMMET.....	3
13	07.0740.0086GT	Rubber.....	1
14	07.0740.0032GT	WASHER.....	1
15	07.0740.0099GT	RIGHT SIDE GLASS.....	1
16	07.0740.0090GT	THROUGH-COUPLING	1
17	07.0740.0089GT	WIPER BLADE.....	1

405.1 608934 Seat Assembly



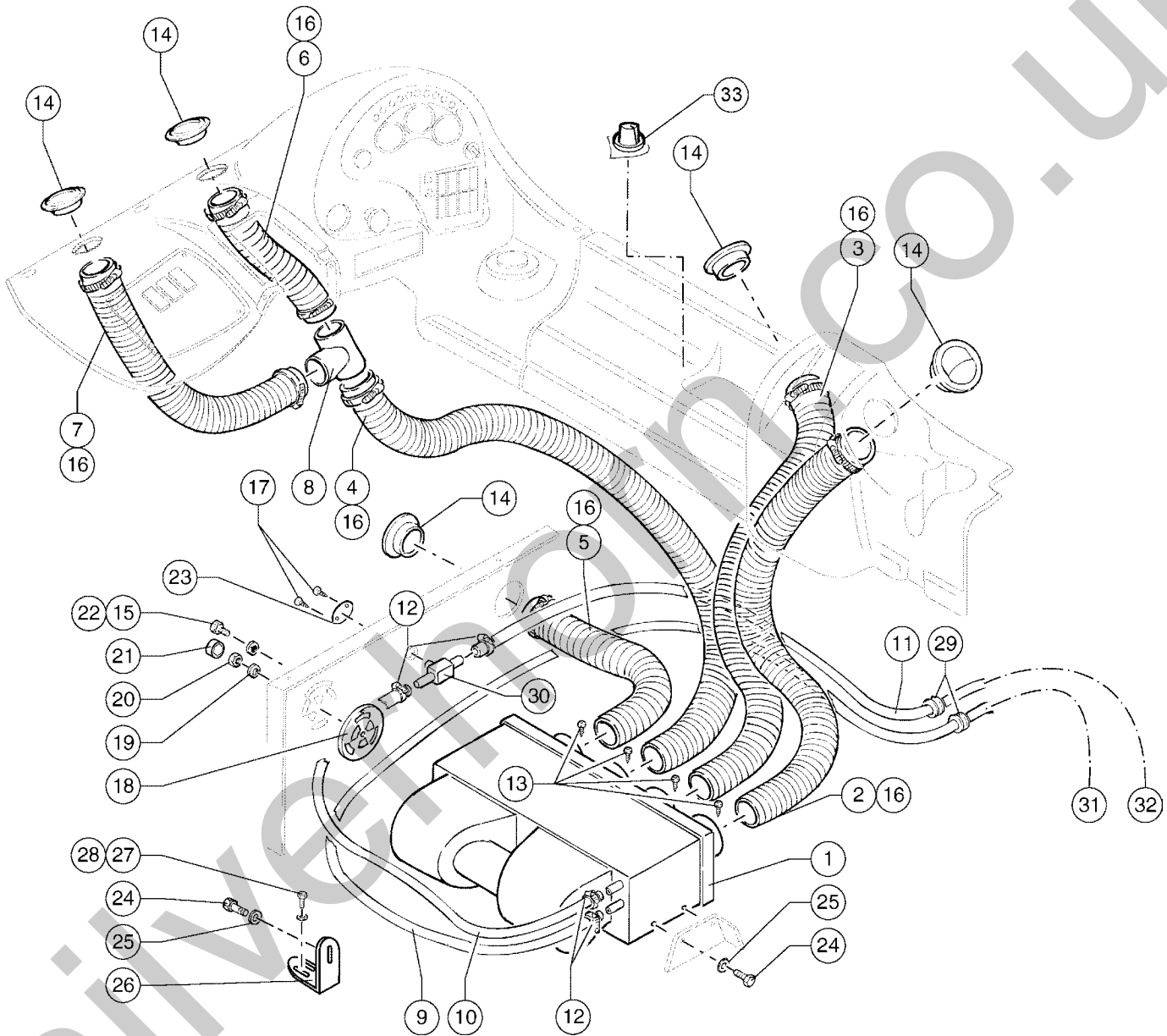
Item	Part No.	Description	Qty.
1	09.4610.0050GT	SEAT..... <i>Excluded Item 2</i>	1
2	09.4610.0066GT	Safety Belt.....	1
3	07.0740.0472GT	Back Cover Assembly.....	1
4	07.0740.0474GT	Back Foam Kit.....	1
5	07.0740.0480GT	Right Armrest Kit.....	1
6	07.0740.0367GT	Seat Frame Assembly.....	1
7	07.0740.0476GT	Knob Kit.....	1
8	07.0740.0479GT	SEAT ARMREST,LEFT.....	1
9	07.0740.0473GT	Seat Cover Assembly.....	1
10	07.0740.0475GT	Seat Foam Kit.....	1
11	07.0740.0477GT	Suspension Cover Kit.....	1
12	07.0740.0478GT	Seat Suspension Kit.....	1
13	07.0740.0485GT	Height Adjuster Kit.....	1
14	07.0740.0370GT	Weight Adjuster Kit.....	1
15	07.0740.0486GT	KIT,SEAT DAMPER.....	1
16	07.0740.0498GT	Seat Microswitch.....	1

406.1 608935 Dashboard



Item	Part No.	Description	Qty.
1	52.1200.5531GT	DASHBOARD,FRONT.....	1
2	52.1200.5541GT	Right Side Cover.....	1
3	52.1200.5533GT	DASHBOARD,CENTRAL.....	1
4	52.1200.5532GT	DASHBOARD,LOWER.....	1
5	07.0740.0116GT	SCREW FE TGS T+ M6X25 UNI 7689 ZN.....	16
6	09.0803.0012GT	WASHER D6.....	16
7	54.0101.0020GT	WASHER D6/9.....	3
8	07.0740.0143GT	COVER,RADIO HOUSING.....	1
9	01.0031.0055GT	FLAT WASHER D8 UNI 6592 ZN.....	2
10	07.0740.0208GT	Bracket.....	1
11	52.1200.5542GT	COVER,JOYSTICK.....	1
12		See 700 Electric Installation, Figure 608982 - Position 25	
13	01.4003.0038GT	SCREW B6X25.....	3
14	56.0016.0109GT	CONTROL LEVER, LEFT, TRANSMISSION.....	1
15	56.0016.0108GT	CONTROL LEVER, RIGHT, TURN SIGNAL, LIGHTS, WIPER.....	1
16	07.0703.0420GT	KEY.....	1
17	07.0703.0441GT	Emergency button.....	1
18	07.0703.0423GT	PLUG.....	1
19	07.0740.0152GT	KNOB.....	1
20	07.0703.0532GT	CONTACT.....	1
21	07.0703.0531GT	Contact.....	1
22	07.0703.0368GT	Key.....	1
23	01.0031.0055GT	FLAT WASHER D8 UNI 6592 ZN.....	4
24	56.0016.0179GT	Complete Joystick.....	1
25	07.0741.0023GT	PROPORTIONAL ROLLER.....	2
26		See 700 Electric Installation, Figure 608982 - Position 2	
27	07.0741.0012GT	ENABLING FUNCTION SWITCH.....	1
28	07.0741.0129GT	Complete Handle.....	1
29	56.0016.0085GT	COMPLETE HANDLE.....	1
30	07.0741.0011GT	PUSH BUTTON.....	1
31	07.0741.0130GT	WHITE BUTTON CAP.....	1
32	07.0740.0206GT	Screw TC M4X20 ZG UNI 7687.....	4
33	51.0811.4036GT	Adapter Bracket.....	1
34	01.0003.0205GT	SCREW M8X25 UNI 5931 8.8 ZN.....	4
35	01.0001.0257GT	SCREW M8X30 UNI 5739 8.8 ZN.....	2

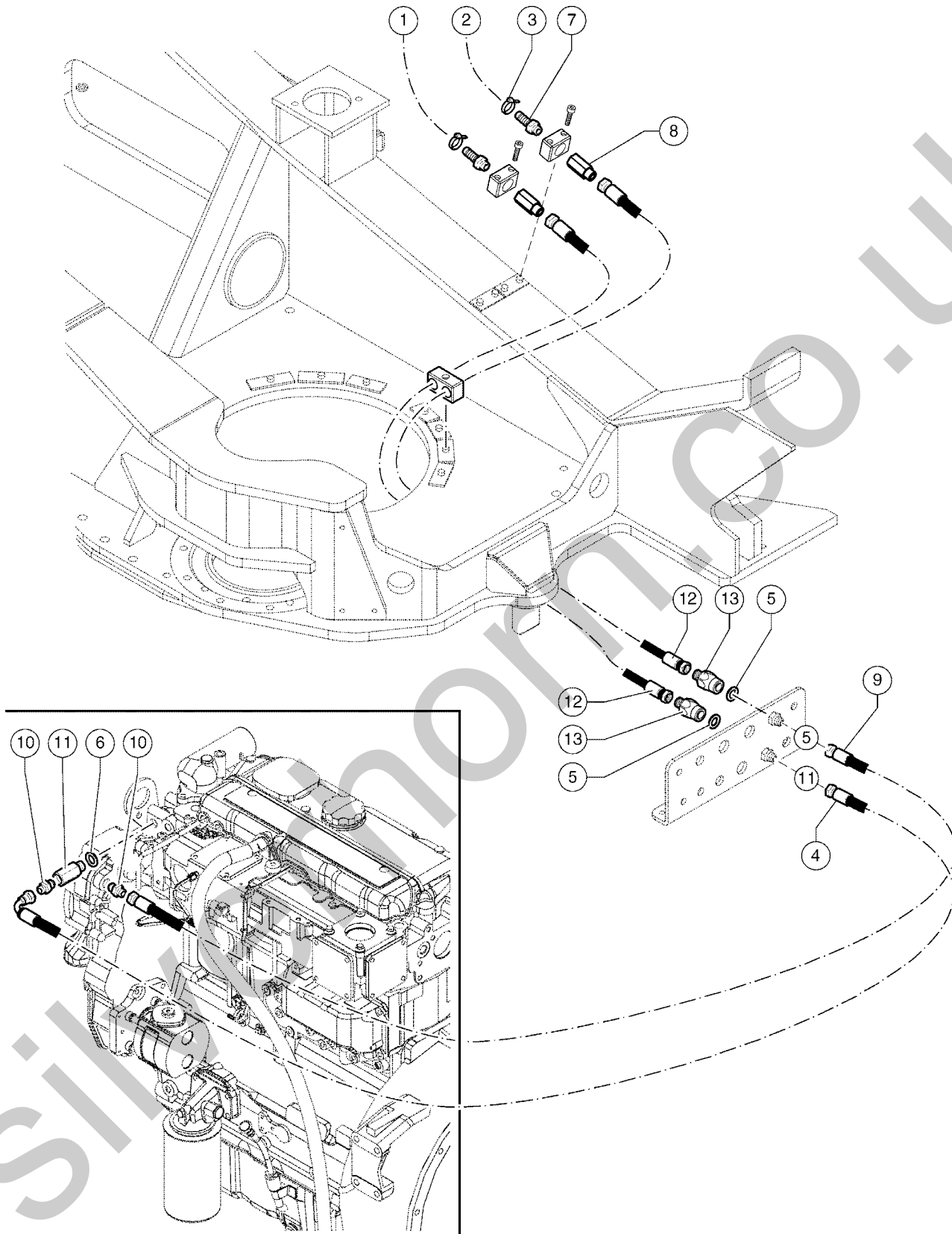
407.1 608936 Heater, Cab Part



407.1 608936 Heater, Cab Part

Item	Part No.	Description	Qty.
1	07.0740.0119GT	HEATER.....	1
2	07.0740.0120GT	Air Hose.....	0.75-m
3	07.0740.0120GT	Air Hose.....	0.75-m
4	07.0740.0120GT	Air Hose.....	1.65-m
5	07.0740.0120GT	Air Hose.....	0.30-m
6	07.0740.0120GT	Air Hose.....	0.20-m
7	07.0740.0120GT	Air Hose.....	0.5-m
8	07.0740.0121GT	3-WAY FITTING.....	1
9	07.0740.0122GT	Heater pipe 15x23.....	6.0-m
10	07.0740.0122GT	Heater pipe 15x23.....	0.8-m
11	07.0740.0122GT	Heater pipe 15x23.....	5.0-m
12	04.0227.0068GT	CLAMP DN 22/32 LG 9.....	4
13	01.4001.0116GT	SCREW TCB T 3.9X16 UNI 6954.....	4
14	07.0740.0125GT	AIR INLET D76.....	5
15	07.0740.0126GT	REDUCER,D48.5.....	5
16	04.0227.0058GT	CLAMP DN 40/60 LG12.....	8
17	07.0740.0128GT	SCREW.....	2
18	07.0740.0129GT	AIR INLET.....	1
19	01.0031.0054GT	FLAT WASHER D6 UNI 6592 ZN.....	1
20	01.0023.0053GT	STOP NUT M6 UNI 7473 6S ZN.....	1
21	07.0740.0028GT	HEX HEAD CAP.....	1
22	07.0740.0130GT	KNOB.....	1
23	07.0740.0219GT	LABEL.....	1
24	01.4001.0026GT	SCREW M6X10 UNI 5739 8.8 ZN.....	2
25	01.0031.0298GT	FLAT WASHER D6 UNI 6593 ZN.....	2
26	07.0740.0132GT	Heater Support.....	1
27	01.0031.0299GT	FLAT WASHER D8 UNI 6593 ZN.....	2
28	01.0001.0254GT	SCREW M8X20 UNI 5739 8.8 ZN.....	2
29	09.0803.0549GT	Rubber D.41X9.....	2
30	07.0740.0218GT	WATER TAP,D16.....	1
31		See 400 Cab, Figure 608937 - Position 1	
32		See 400 Cab, Figure 608937 - Position 2	
33	56.0012.0068GT	Control Unit Potentiometer.....	1

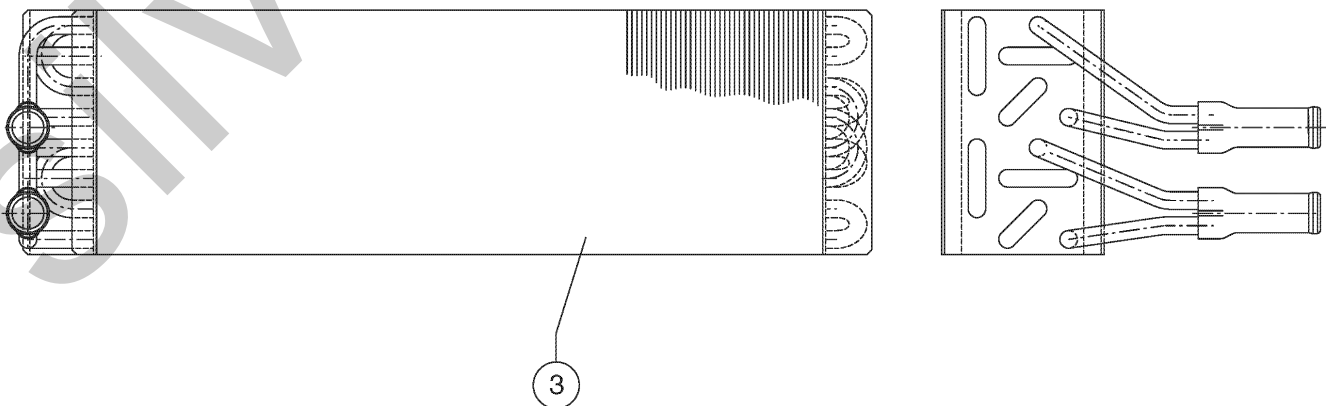
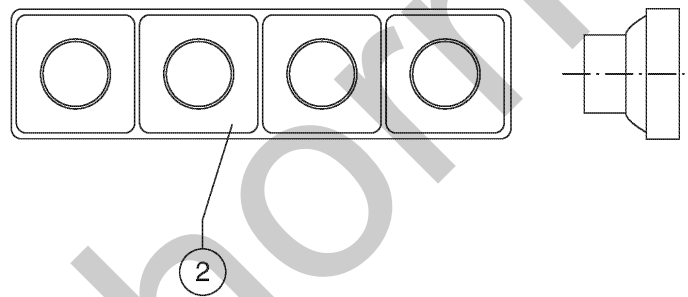
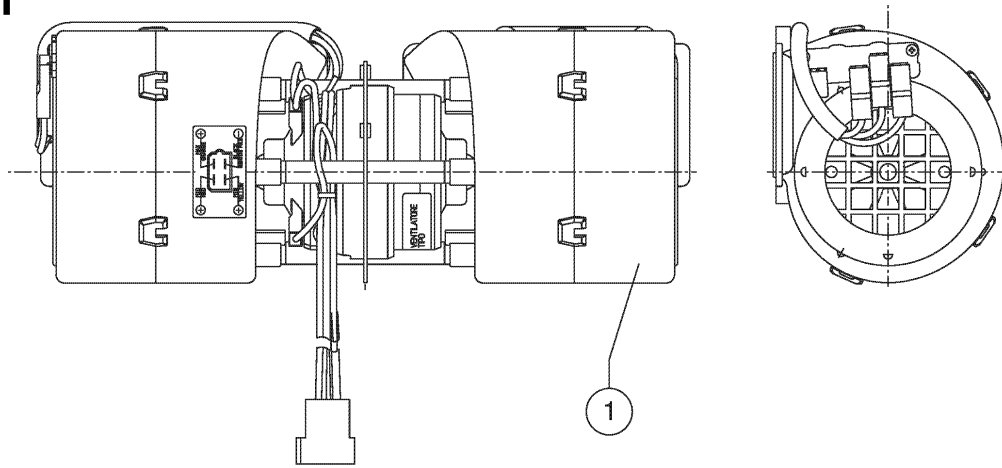
408.1 608937 Heater, Engine Part



408.1 608937 Heater, Engine Part

Item	Part No.	Description	Qty.
1		See 400 Cab Components, Figure 608780 - Position 31	
2		See 400 Cab Components, Figure 608780 - Position 32	
3	04.0227.0054GT	CLAMP DN 15/25 LG 9.....	2
4	04.0605.1018GT	Flexible Hose R1 X 1/2" Lg. 3000 FD - F90 1/2 BSP ORFS.....	1
5	06.0442.0122GT	BONDED RING 1/2".....	2
6	06.0442.0122GT	BONDED RING 1/2".....	1
7	04.0600.0197GT	HOSE ADAPTER 1/2 GAS D18.....	2
8	04.0600.0016GT	PIPE FITTING CMF G1/2 ES LG 45.....	2
9	04.0605.1017GT	Flexible Hose R1 X 1/2" Lg. 3000 FD - FD 1/2 BSP ORFS.....	1
10	04.0607.0111GT	PIPE FITTING 1/2 BSPX13/16-16 ORFS.....	2
11	06.0600.0016GT	Fitting CMF G1/2 ES LG.45.....	1
12	04.0605.1469GT	HOSE.....	2
13	04.0600.0234GT	ROTATING JOINT F1/2" BSPXM 1/2" BSP.....	2

409.1 608938 Heater, Fan And Element

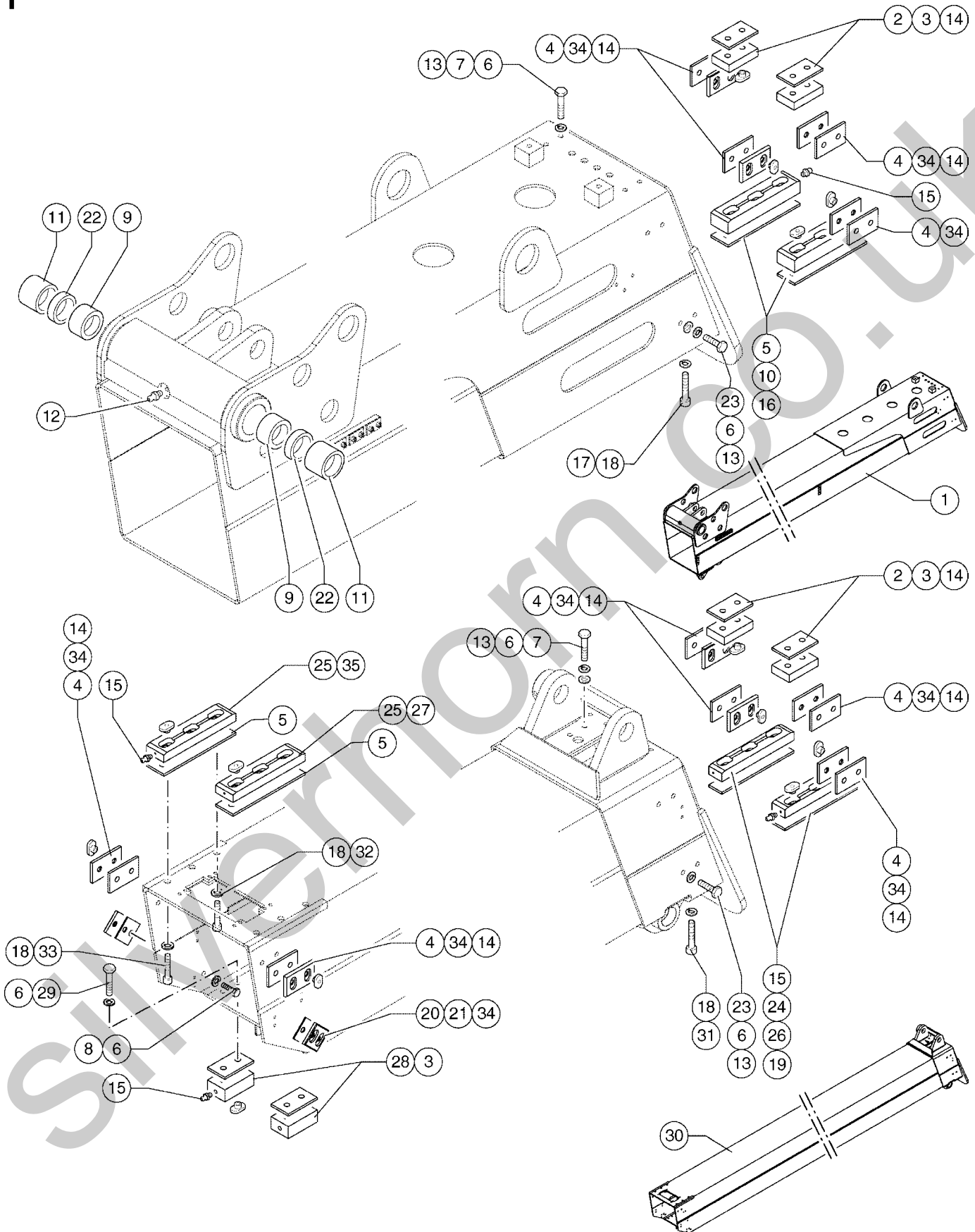


409.1 608938 Heater, Fan And Element

Item	Part No.	Description	Qty.
1	07.0740.0360GT	Electrical Fan.....	1
2	07.0740.0361GT	AIR OUTLET.....	1
3	07.0740.0359GT	HEATER CORE.....	1

Silverhorn.CO.UK

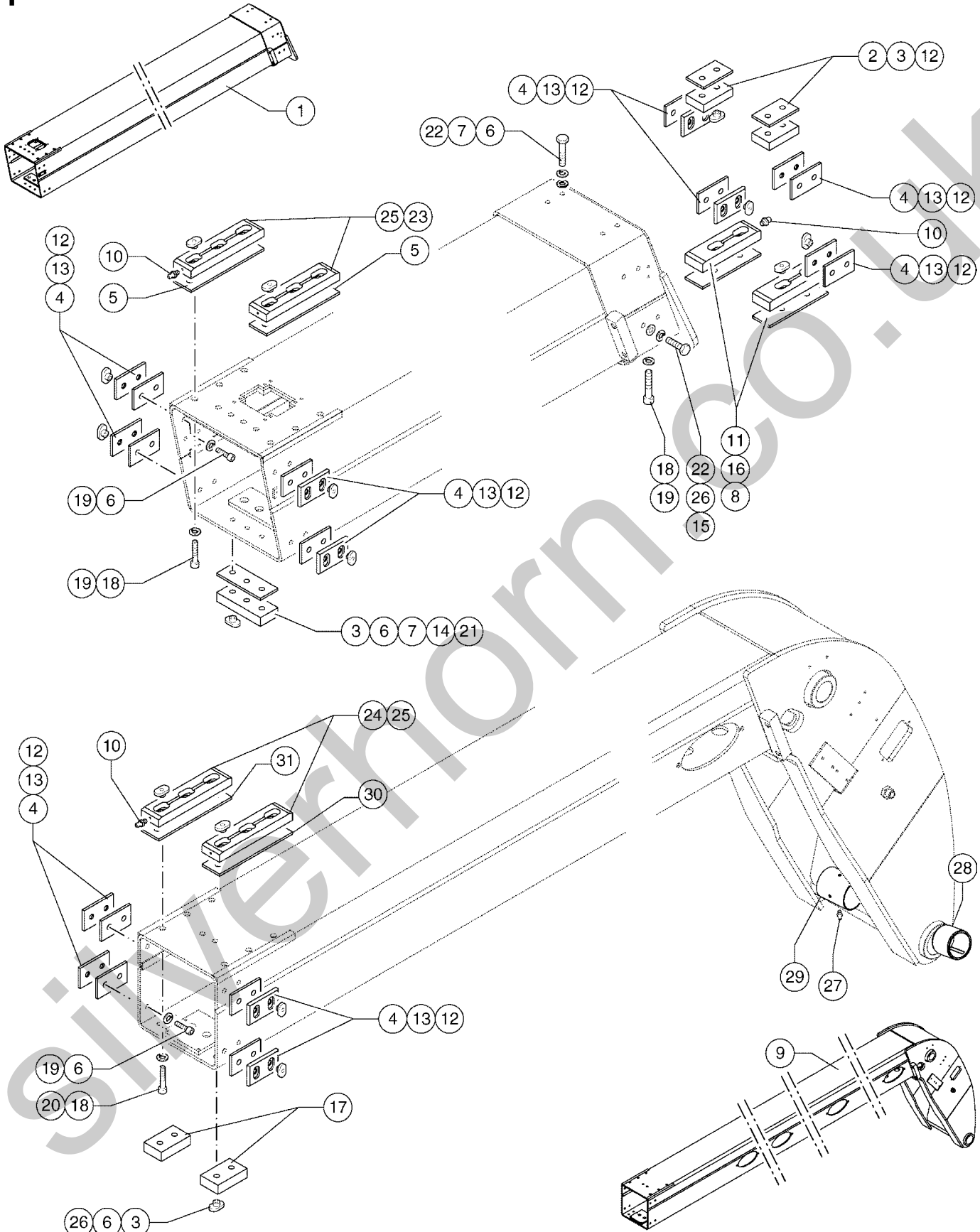
501.1 608940 Arm 1st - 2nd Telescopic Element



501.1 608940 Arm 1st - 2nd Telescopic Element

Item	Part No.	Description	Qty.
1	51.0201.3963GT	1st Telescope Boom.....	1
2	54.0702.0086GT	WEAR PAD.....	4
3	54.0200.0001GT	BUSHING M10X13.5.....	12
4	54.0703.0011GT	WEAR PAD.....	10
5	51.0811.4604GT	PAD SHIM 250X85.....	4
6	01.0031.0056GT	FLAT WASHER D10 UNI 6592 ZN.....	32
7	01.0001.0357GT	SCREW,TE,M10X35 UNI 8.8 ZN.....	8
8	01.0001.0253GT	Screw TE M 10X20 UNI 5739 8.8 ZN....	8
9	54.0201.0003GT	Bushing 70/80x70.....	2
10	54.0200.0004GT	BUSHING M14.....	6
11	54.0201.0004GT	BUSHING 70/80X70.....	2
12	02.0117.0101GT	GREASE NIPPLE G 1/8.....	1
13	01.4032.0004GT	SPRING WASHER D10 ZN.....	24
14	51.0811.4131GT	SHIM, WEAR PAD,100X60X1.....	12
15	02.0117.0051GT	GREASE NIPPLE M6.....	8
16	54.0702.0088GT	WEAR PAD.....	2
17	01.0003.0354GT	SCREW M14X45 UNI 5931 8.8 ZN.....	6
18	01.0031.0058GT	FLAT WASHER D14 UNI 6592 ZN.....	18
19	54.0200.0007GT	BUSHING M14.....	6
20	54.0703.0022GT	WEAR PAD.....	2
21	51.0811.4133GT	SHIM, WEAR PAD,60X60X1.....	2
22	52.0900.0200GT	BUSHING.....	2
23	01.0001.0256GT	SCREW M8X25 UNI 5739 8.8 ZN.....	16
24	54.0703.0023GT	Front Pad 250x55x33.....	2
25	54.0200.0006GT	PAD FIXING BUSHING M14.....	6
26	51.0811.4607GT	Pad Shim.....	2
27	54.0702.0098GT	Rear Pad.....	1
28	54.0705.0074GT	WEAR PAD.....	2
29	01.0001.0355GT	SCREW M10X25 UNI 5739 8.8 ZN.....	4
30	51.0201.3962GT	BOOM 2ND SECTION.....	1
31	01.0003.0353GT	SCREW M14X40 UNI 5931 8.8 ZN.....	6
32	01.4003.0049GT	SCREW M14X25 UNI 5931 8.8 ZN.....	6
33	01.4003.0053GT	SCREW M14X25 UNI 5931 8.8 ZN.....	6
34	54.0200.0000GT	BUSHING M10X8.5.....	12
35	54.0702.0099GT	Rear Pad.....	1

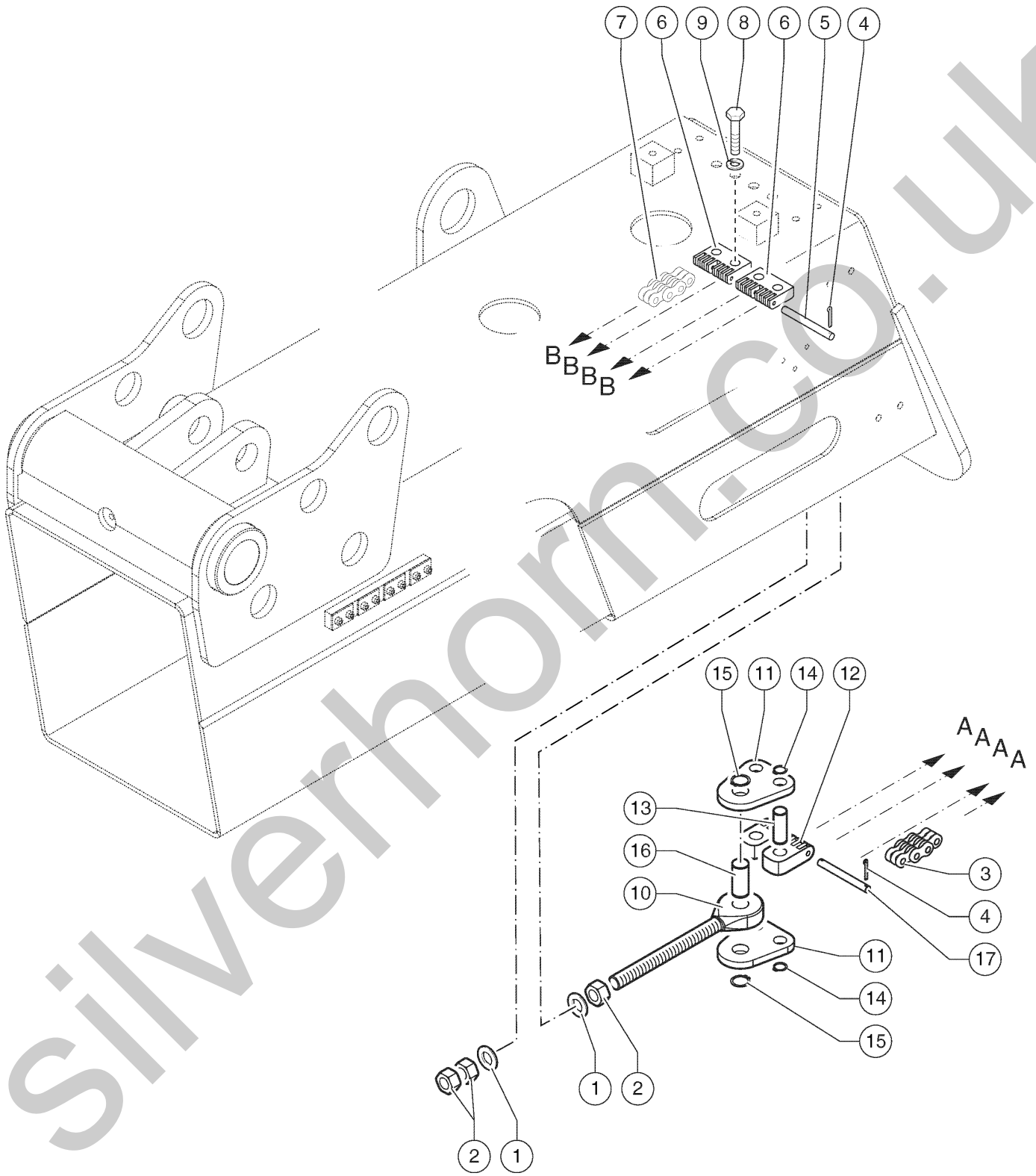
502.1 608941 Arm 3rd - 4th Telescopic Element



502.1 608941 Arm 3rd - 4th Telescopic Element

Item	Part No.	Description	Qty.
1	51.0201.3958GT	3rd Telescope Boom.....	1
2	54.0702.0087GT	WEAR PAD.....	2
3	54.0200.0001GT	BUSHING M10X13.5.....	12
4	54.0703.0011GT	WEAR PAD.....	8
5	51.0811.4604GT	PAD SHIM 250X85.....	2
6	01.0031.0056GT	FLAT WASHER D10 UNI 6592 ZN.....	24
7	01.0001.0357GT	SCREW,TE,M10X35 UNI 8.8 ZN.....	4
8	54.0200.0007GT	BUSHING M14.....	6
9	51.0201.3957GT	4th Telescope Boom.....	1
10	02.0117.0051GT	GREASE NIPPLE M6.....	6
11	51.0811.4136GT	Pad Shim 200X60X1.....	2
12	51.0811.4131GT	SHIM, WEAR PAD,100X60X1.....	9
13	54.0200.0000GT	BUSHING M10X8.5.....	16
14	51.0811.4137GT	Pad Shim 100X50X1.....	2
15	01.0001.0299GT	WASHER D10 UNI 6593 ZN.....	8
16	54.0703.0021GT	Front Pad 200x60x33.....	2
17	54.0703.0018GT	Rear Bottom Pad 100x60x33.....	2
18	01.0031.0058GT	FLAT WASHER D14 UNI 6592 ZN.....	26
19	01.0003.0353GT	SCREW M14X40 UNI 5931 8.8 ZN.....	10
20	01.4003.0049GT	SCREW M14X25 UNI 5931 8.8 ZN.....	6
21	54.0703.0020GT	Rear bottom pad 150x60x33.....	1
22	01.4032.0004GT	SPRING WASHER D10 ZN.....	8
23	54.0702.0100GT	WEAR PAD.....	2
24	54.0702.0101GT	WEAR PAD.....	2
25	54.0200.0006GT	PAD FIXING BUSHING M14.....	12
26	01.0001.0356GT	SCREW M10X30 UNI 5739 8.8 ZN.....	11
27	02.0117.0119GT	GREASE NIPPLE G 1/8.....	1
28	54.0201.0088GT	Bushing.....	4
29	52.0900.9337GT	Spacer.....	1
30	51.0811.4606GT	RIGHT PAD SHIM.....	1
31	51.0811.4605GT	SHIM,WEAR PAD 250X75.....	1

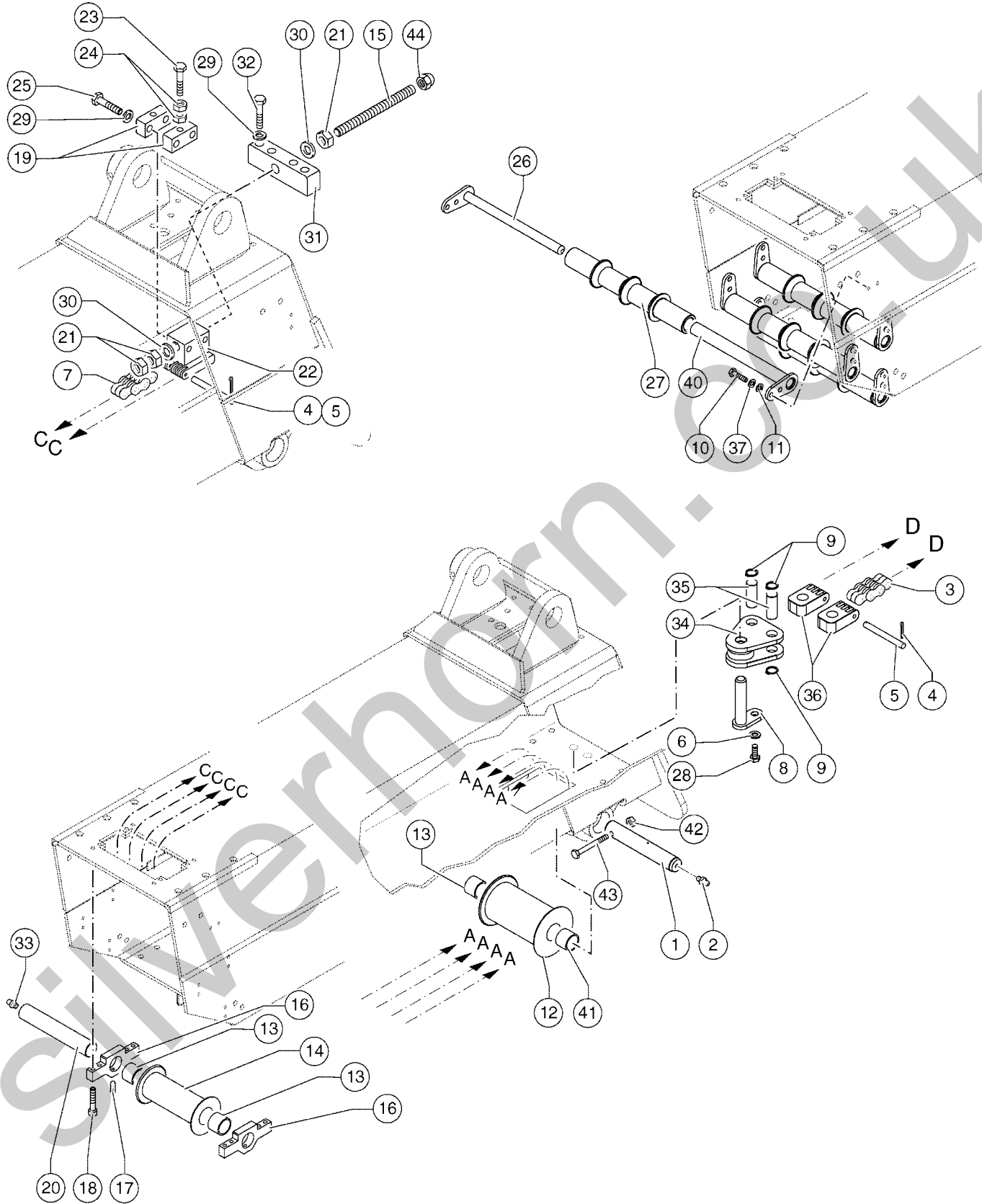
503.1 608942 Chain Unit 1st Boom Section



503.1 608942 Chain Unit 1st Boom Section

Item	Part No.	Description	Qty.
1	01.0031.0100GT	FLAT WASHER D18 UNI 5714 ZN.....	4
2	01.0019.0186GT	Nut M22 UNI 5588 8G ZN.....	3
3	09.0803.0664GT	FLEYER CHAIN 1"-6 X 6-225 STEPS....	2
4	09.0803.0257GT	COTTER PIN D2X25 UNI 1336 ZN.....	16
5	07.0726.0054GT	PIN.....	4
6	54.0300.0019GT	CHAIN PIVOT PLATE.....	2
7	09.0803.0665GT	Fleyer Chain 3/4"- 6X6 -293.....	2
8	01.4001.0069GT	SCREW M16X40 UNI 5737 10.9 ZN.....	4
9	01.0031.0099GT	FLAT WASHER D16 UNI 5714 ZN.....	4
10	54.0300.0041GT	Stretch Chain Terminal.....	1
11	54.0300.0036GT	Chain, Pivot Plate.....	2
12	54.0300.0034GT	CHAIN TERMINAL.....	2
13	54.0000.0253GT	PIN.....	2
14	02.4126.0004GT	SEEGER.....	4
15	02.4126.0003GT	Snap Ring.....	2
16	54.0000.0254GT	Pin.....	1
17	54.0002.0018GT	PIN.....	2

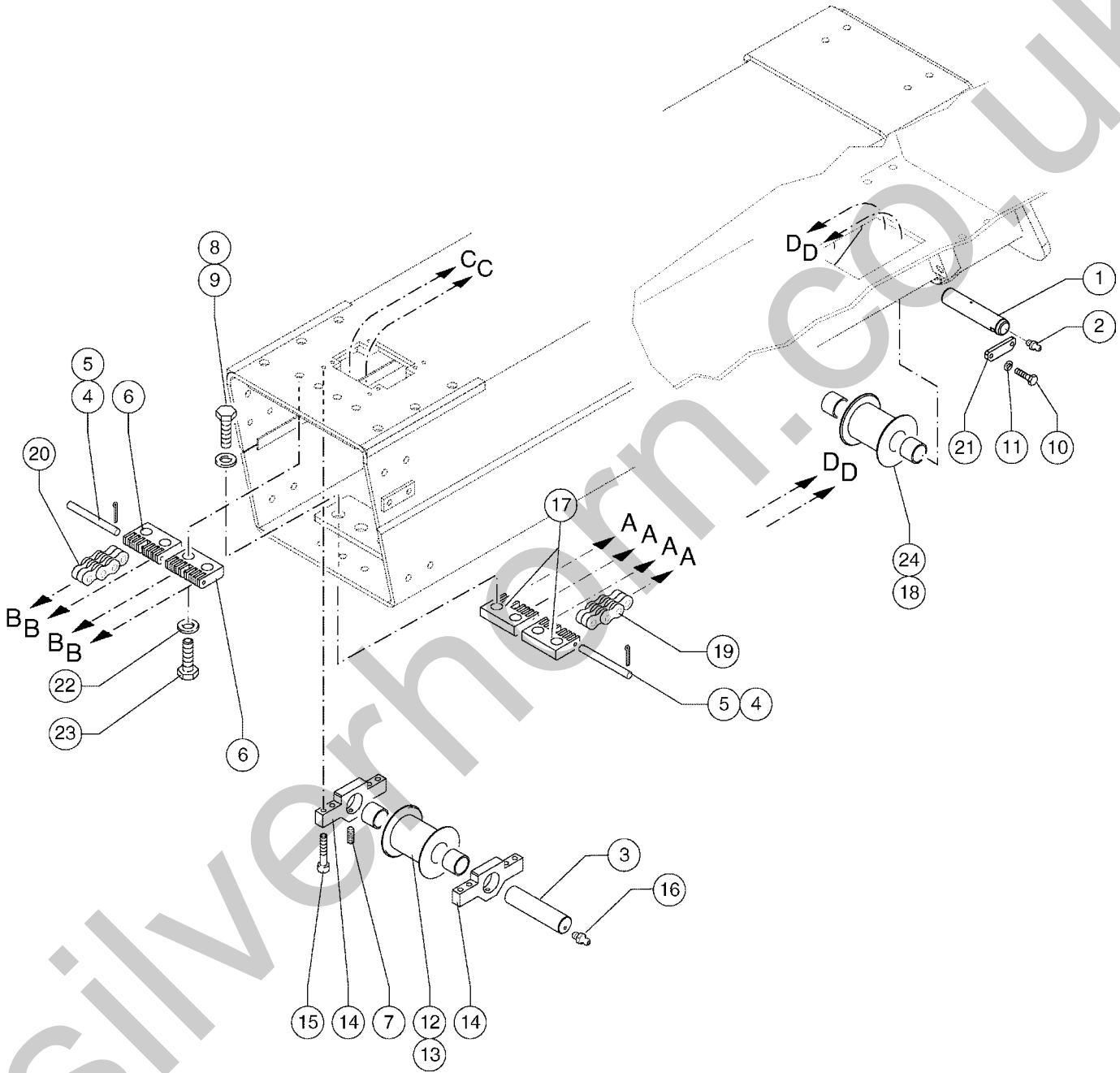
504.1 608943 Chain Unit 2nd Boom Section



504.1 608943 Chain Unit 2nd Boom Section

Item	Part No.	Description	Qty.
1	54.0001.0083GT	Pulley Front Pin.....	1
2	02.0117.0051GT	GREASE NIPPLE M6.....	1
3	09.0803.0664GT	FLEYER CHAIN 1"-6 X 6-225 STEPS....	2
4	09.0803.0257GT	COTTER PIN D2X25 UNI 1336 ZN.....	16
5	54.0002.0018GT	PIN.....	2
6	01.0031.0055GT	FLAT WASHER D8 UNI 6592 ZN.....	1
7	09.0803.0665GT	Fleyer Chain 3/4"- 6X6 -293.....	4
8	54.0004.0113GT	Chain Tie Bar Pin.....	4
9	02.4126.0004GT	SEEGER.....	4
10	01.0001.0254GT	SCREW M8X20 UNI 5739 8.8 ZN.....	3
11	01.0031.0055GT	FLAT WASHER D8 UNI 6592 ZN.....	19
12	54.0400.0043GT	Front Pulley.....	1
13	54.0201.0090GT	BUSHING D.35/45.....	2
14	54.0400.0048GT	Rear Pulley.....	1
15	54.0300.0043GT	THREADED ROAD.....	1
16	51.0811.4201GT	Pulley Support.....	2
17	01.4041.0000GT	DOWEL M8X16 UNI 5927 12.9 ZN.....	4
18	01.4003.0034GT	SCREW M10X40 UNI 5931 12.9 ZN.....	8
19	54.0300.0021GT	Stretch Chain Block.....	2
20	54.0001.0077GT	Rear Pulley Pin.....	1
21	01.0019.0179GT	NUT M18 UNI 5589 8G ZN.....	3
22	54.0300.0040GT	Stretch Chain Terminal.....	1
23	01.4001.0108GT	SCREW M12X60 UNI 5737 10.9 ZN.....	2
24	01.0019.0106GT	Nut M12 UNI 5588 6SZN.....	2
25	01.4001.0011GT	Screw TE M12X40 UNI 5737 10.9ZN....	4
26	51.0811.4366GT	PULLEY HOLDER.....	4
27	54.0702.0095GT	Nylon Pulley.....	4
28	01.0001.0254GT	SCREW M8X20 UNI 5739 8.8 ZN.....	17
29	01.0031.0097GT	FLAT WASHER D12 UNI 5714 ZN.....	8
30	01.0031.0100GT	FLAT WASHER D18 UNI 5714 ZN.....	2
31	54.0300.0028GT	Stretch Chain support.....	1
32	01.0001.1547GT	SCREW M12X50UNI 5739 10.9 ZN.....	4
33	02.0117.0119GT	GREASE NIPPLE G 1/8.....	1
34	54.0300.0033GT	Chain Tensioner.....	1
35	54.0000.0253GT	PIN.....	2
36	54.0300.0034GT	CHAIN TERMINAL.....	2
37	01.4032.0003GT	SPRING WASHER D8 ZN.....	16
40	51.0811.4367GT	PULLEY HOLDER.....	4
41	54.0201.0080GT	Bushing D.30/40.....	2
42	01.0023.0056GT	STOP NUT M12 UNI 7473 6S ZN.....	1
43	01.4001.0003GT	SCREW M12X100 UNI 5737 8.8 ZN.....	1
44	01.4019.0026GT	NUT M18 UNI 5721 ZN.....	1

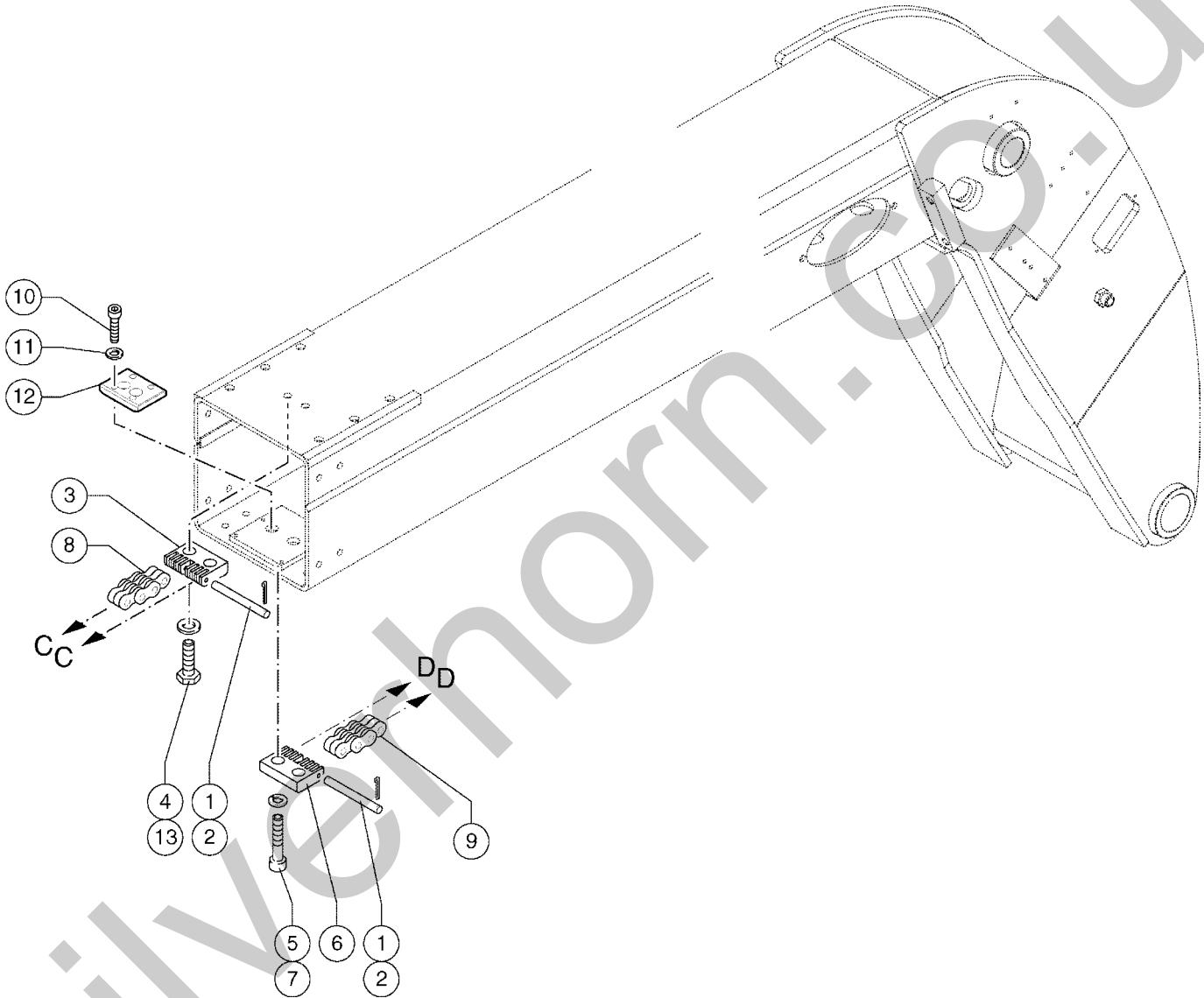
505.1 608944 Chain Unit 3rd Boom Section



505.1 608944 Chain Unit 3rd Boom Section

Item	Part No.	Description	Qty.
1	54.0001.0082GT	PIN.....	1
2	02.0117.0051GT	GREASE NIPPLE M6.....	1
3	54.0001.0076GT	Rear Pulley Pin.....	1
4	09.0803.0257GT	COTTER PIN D2X25 UNI 1336 ZN.....	8
5	54.0002.0018GT	PIN.....	4
6	54.0300.0020GT	Chain Terminal.....	2
7	01.4041.0000GT	DOWEL M8X16 UNI 5927 12.9 ZN.....	2
8	01.4001.0041GT	SCREW M20X45 UNI 5739 10.9 ZN.....	8
9	01.0031.0061GT	FLAT WASHER D20 UNI 6592 ZN.....	8
10	01.0001.0256GT	SCREW M8X25 UNI 5739 8.8 ZN.....	2
11	01.0031.0055GT	FLAT WASHER D8 UNI 6592 ZN.....	2
12	54.0400.0047GT	Pulley.....	1
13	54.0201.0089GT	Bushing.....	2
14	51.0811.0000GT	Pulley Support.....	2
15	01.4003.0051GT	SCREW M8X30 UNI 5931 12.9 ZN.....	8
16	02.0117.0119GT	GREASE NIPPLE G 1/8.....	1
17	54.0300.0032GT	Anchor Boom Chain 1" - 6X6.....	2
18	54.0400.0042GT	Boom Chain Pulley.....	1
19	09.0803.0664GT	FLEYER CHAIN 1"-6 X 6-225 STEPS.....	4
20	09.0803.0665GT	Fleyer Chain 3/4"- 6X6 -293.....	4
21	51.0811.4424GT	Pulley Pin Lock Plate.....	1
22	01.0031.0099GT	FLAT WASHER D16 UNI 5714 ZN.....	4
23	01.4001.0125GT	SCREW M16X45 UNI 5737 10.9 ZN.....	4
24	54.0201.0079GT	Bushing D=40/50 - 40.....	2

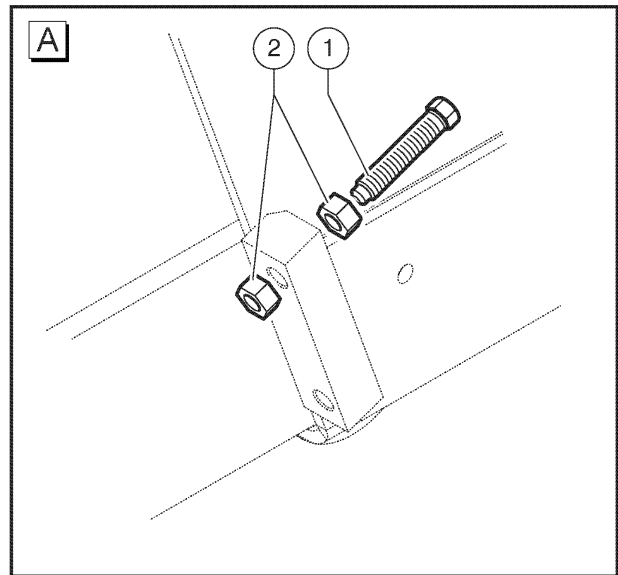
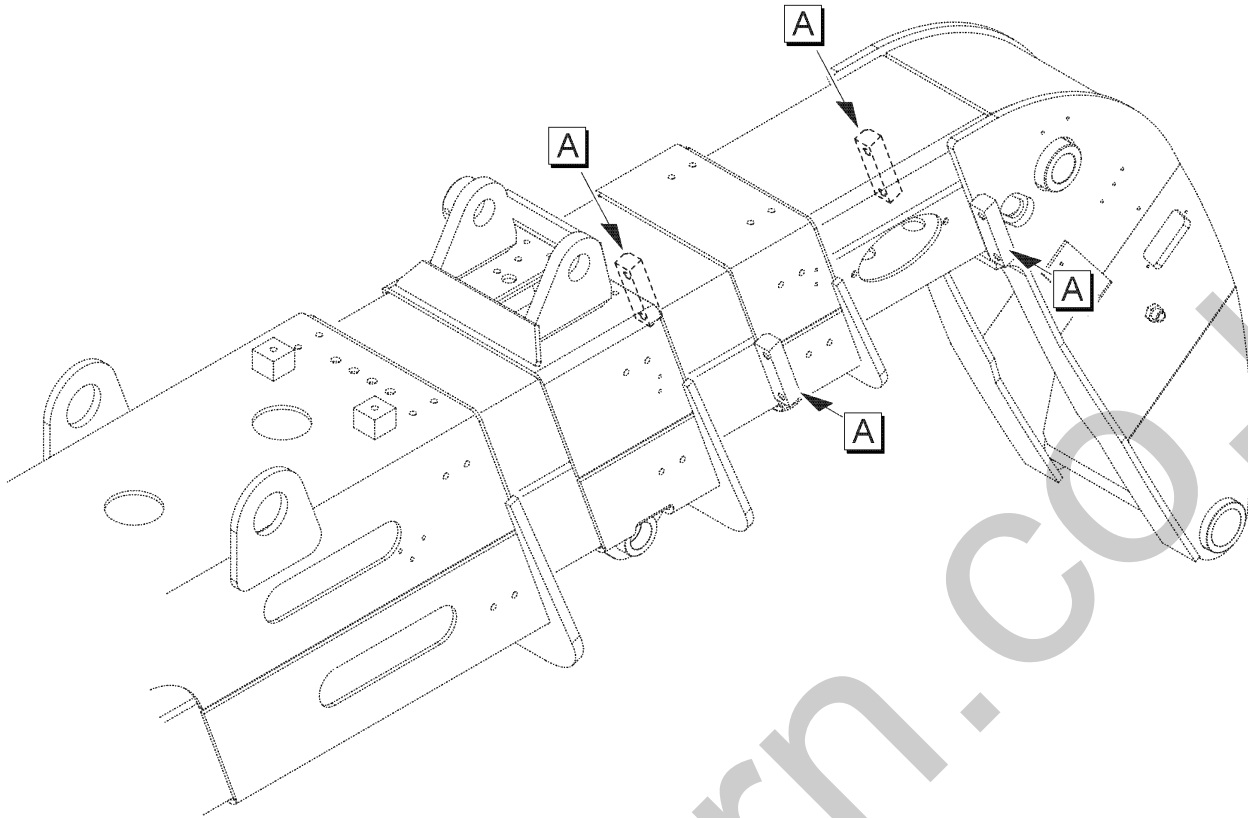
506.1 608945 Chain Unit 4th Boom Section



506.1 608945 Chain Unit 4th Boom Section

Item	Part No.	Description	Qty.
1	09.0803.0257GT	COTTER PIN D2X25 UNI 1336 ZN.....8	
2	54.0002.0018GT	PIN.....4	
3	54.0300.0020GT	Chain Terminal.....1	
4	01.0001.1537GT	SCREW M16X50 UNI 5737 10.9 ZN.....2	
5	01.0031.0061GT	FLAT WASHER D20 UNI 6592 ZN.....4	
6	54.0300.0032GT	Anchor Boom Chain 1" - 6X6.....1	
7	01.4001.0041GT	SCREW M20X45 UNI 5739 10.9 ZN.....2	
8	09.0803.0665GT	Fleyer Chain 3/4" - 6X6 -293.....2	
9	09.0803.0664GT	FLEYER CHAIN 1"-6 X 6-225 STEPS....2	
10	01.4003.0041GT	SCREW M8X16 DIN 7984 8.8 ZN.....4	
11	01.4032.0007GT	SPRING WASHER D16 ZN.....4	
12	54.0703.0019GT	Pad 135x100x22.....1	
13	01.0031.0099GT	FLAT WASHER D16 UNI 5714 ZN.....2	

507.1 608946 Stop Spacer Boom Section

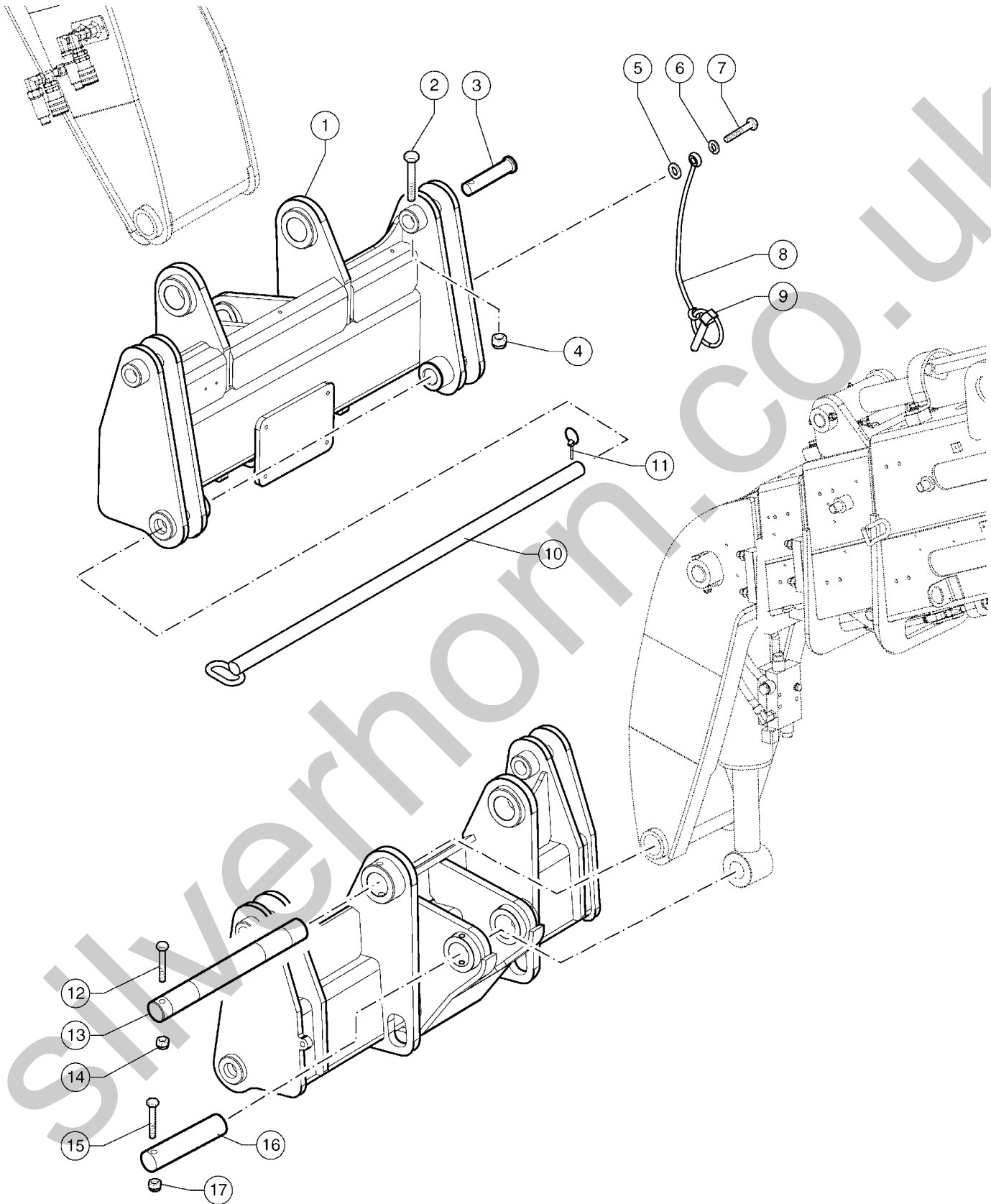


507.1 608946 Stop Spacer Boom Section

Item	Part No.	Description	Qty.
1	01.4001.0175GT	Screw TEM16X80 DIN 564 8.8ZN.....8	
2	01.0019.0108GT	Nut M16 UNI 5588 6S ZN.....16	

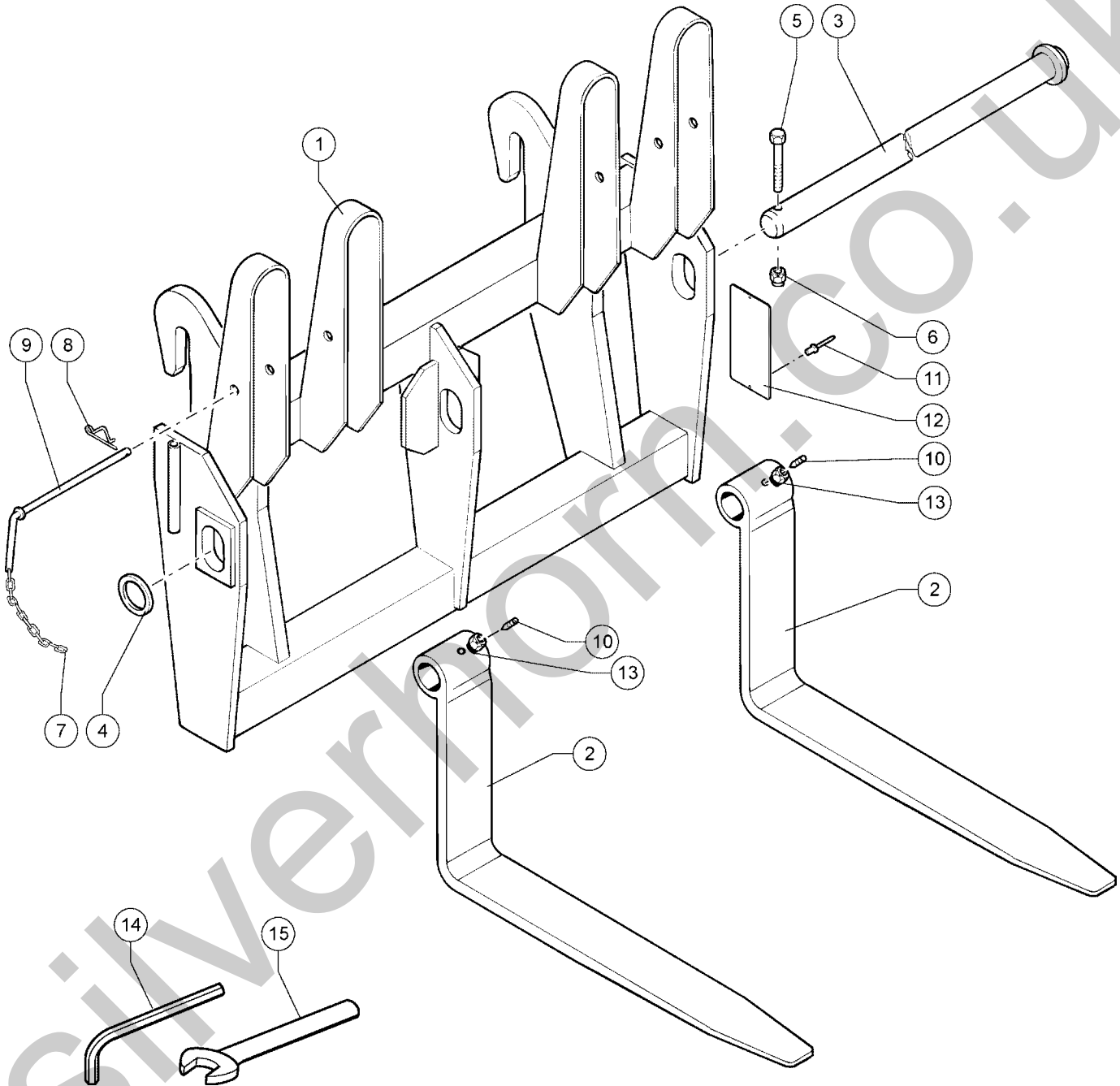
Silverhorn.CO.UK

508.1 608947 Coupling Unit



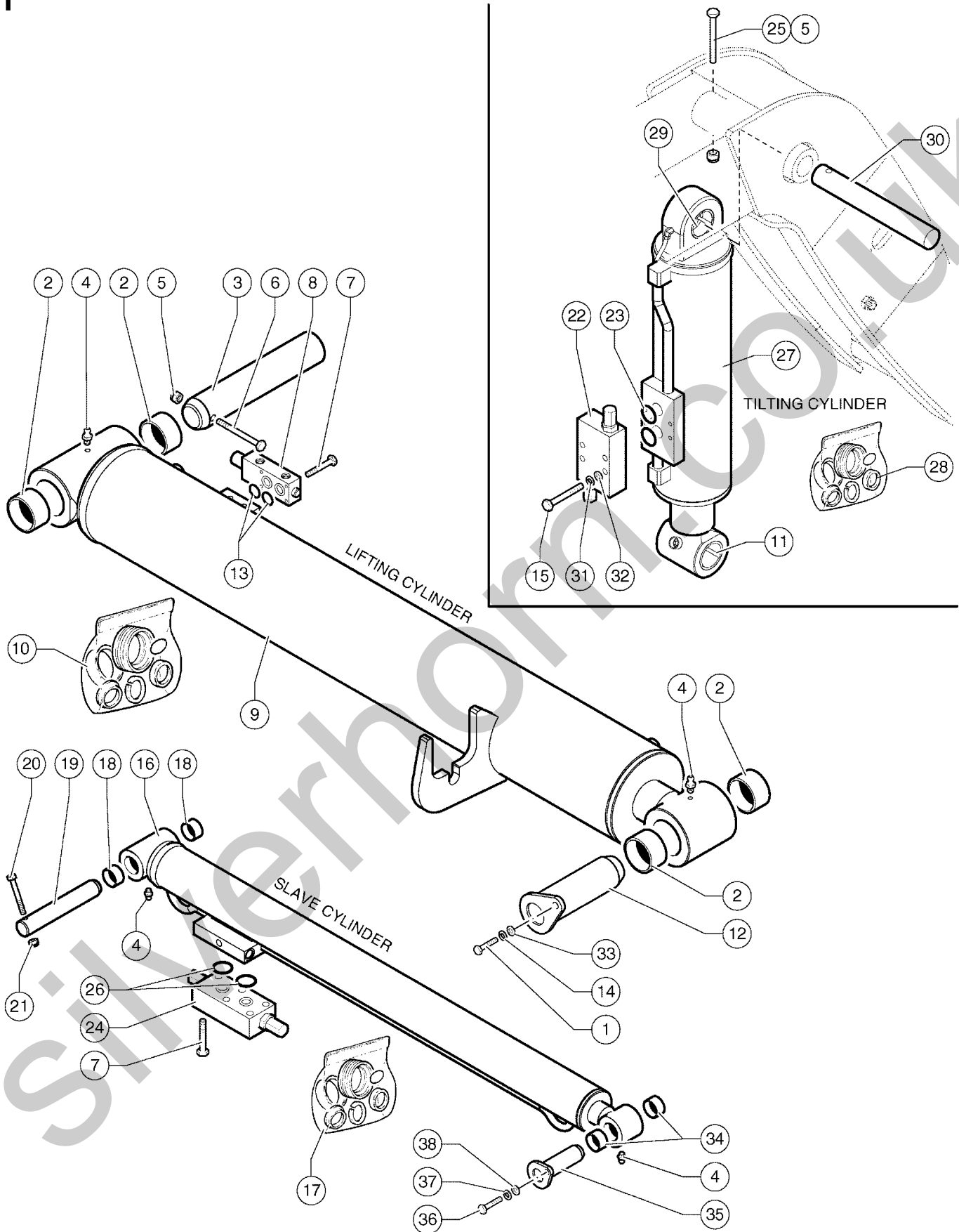
Item	Part No.	Description	Qty.
1	51.04005023GT	Boom Articulation.....	1
2	01.0001.0160GT	Screw TCEI M 6x40 UNI 5931 8.8 ZN....	2
3	54.0001.0081GT	PIN.....	2
4	01.0023.0053GT	STOP NUT M6 UNI 7473 6S ZN.....	2
5	01.0031.0054GT	FLAT WASHER D6 UNI 6592 ZN.....	1
6	01.4032.0002GT	SPRING WASHER D6 ZN.....	1
7	01.0001.0156GT	SCREW M6X20 UNI 5739 8.8 ZN.....	1
8	09.0803.0406GT	LANYARD,PIN.....	1
9	02.4102.0012GT	RING PIN.....	1
10	54.0000.0235GT	PIN.....	1
11	02.4102.0012GT	RING PIN.....	2
12	01.4001.0032GT	Screw TE M16 X 140 ZN UNI 5737.....	1
13	54.0002.0075GT	Pin.....	1
14	01.0023.0058GT	NUT,STOP,M16 UNI 7473 6S ZN.....	1
15	01.4001.0037GT	SCREW,TE,M14X110 UNI 8.8 ZN.....	1
16	54.0002.0079GT	Pin.....	1
17	01.0023.0057GT	STOP NUT M14 UNI 7473 6S ZN.....	1

509.1 608948 Forks



Item	Part No.	Description	Qty.
1	51.1301.9115GT	Floating Fork Plate.....	1
2	51.1300.4800GT	FLOATING FORK.....	2
2	51.1301.9144GT	Floating Fork (See Note)..... <i>For UK Market</i>	2
3	54.0000.0083GT	PIN.....	1
4	54.0100.0056GT	WASHER.....	1
5	01.0001.0409GT	SCREW M12X80 UNI 5737 8.8 ZN.....	1
6	01.0023.0056GT	STOP NUT M12 UNI 7473 6S ZN.....	1
7	09.0803.0055GT	CHAIN.....	0.2-m
8	09.0803.0026GT	SPRING SPLIT PIN.....	2
9	07.0726.0051GT	PIN.....	2
10	01.4041.0005GT	DOWEL M12X25 UNI 5927 12.9 ZN.....	2
11	02.4115.0000GT	Rivet D4x12.....	2
12	09.4616.0122GT	PLATE.....	1
13	01.4019.0004GT	NUT M12 UNI 5589.....	2
14	09.4675.0007GT	Key.....	1
15	09.4675.0008GT	Key.....	1

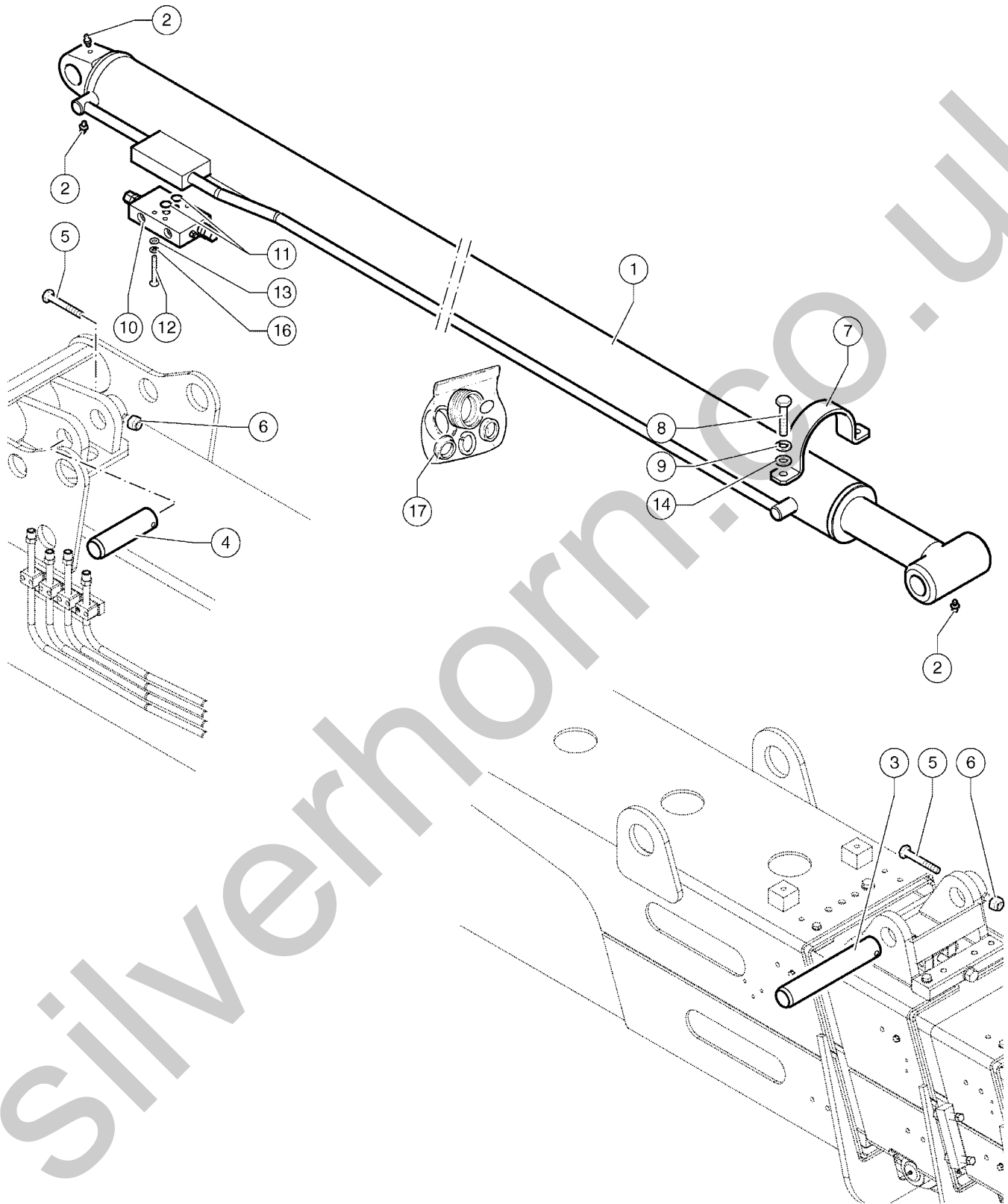
510.1 608949 Lifting Cylinder - Slave Cylinder - Tilting Cylinder



510.1 608949 Lifting Cylinder - Slave Cylinder - Tilting Cylinder

Item	Part No.	Description	Qty.
1	01.0001.0401GT	SCREW M12X40 UNI 5737 8.8 ZN.....	2
2	54.0201.0083GT	Bushing.....	4
3	54.0002.0069GT	Lifting Cylinder Foot Pin.....	1
4	02.0117.0101GT	GREASE NIPPLE G 1/8.....	4
5	01.0023.0056GT	STOP NUT M12 UNI 7473 6S ZN.....	2
6	49383GT	SCREW,HHC,M12 X 120.....	1
7	01.0003.0210GT	SCREW M8X50 UNI 5931 8.8 ZN.....	10
8	04.4239.0001GT	SAFETY VALVE.....	1
9	53.0000.3819GT	Lifting Cylinder.....	1
10	07.4529.0175GT	Seals Kit Lifting Cylinder.....	1
11	54.0201.0084GT	Bushing.....	2
12	54.0003.0181GT	Lifting Cylinder Head Pin.....	1
13	07.0705.0101GT	O-ring.....	2
14	01.4032.0005GT	SPRING WASHER D12 ZN.....	2
15	01.0001.0306GT	SCREW M10X60 UNI 5737 8.8 ZN.....	4
16	53.0300.2216GT	Fork Levelling Cylinder.....	1
17	07.4529.0181GT	Seals Kit Levelling Cylinder.....	1
18	09.0801.0027GT	Bushing.....	2
19	54.0002.0068GT	Slave Cylinder Foot Pin.....	1
20	01.0001.0310GT	SCREW M10X80 UNI 5737 8.8 ZN.....	1
21	01.4001.0008GT	SCREW M10X90 UNI 5737 8.8 ZN.....	1
22	04.4239.0000GT	SAFETY VALVE.....	1
23	07.4529.0071GT	O-RING.....	2
24	04.4239.0003GT	SAFETY VALVE.....	1
25	01.4001.0003GT	SCREW M12X100 UNI 5737 8.8 ZN.....	1
26	07.4529.0072GT	O-RING.....	2
27	53.0400.1814GT	Tilt Cylinder.....	1
28	07.4529.0183GT	Seals Kit Tilt Cylinder.....	1
29	54.0201.0085GT	Bushing.....	1
30	54.0002.0066GT	Pin.....	1
31	01.4032.0004GT	SPRING WASHER D10 ZN.....	4
32	01.0031.0056GT	FLAT WASHER D10 UNI 6592 ZN.....	4
33	01.0031.0057GT	WASHER,D12 UNI 6592 ZN.....	1
34	09.0801.0037GT	Bushing.....	2
35	54.0003.0173GT	Slave Cylinder Head Pin.....	1
36	01.0001.0257GT	SCREW M8X30 UNI 5739 8.8 ZN.....	1
37	01.4032.0003GT	SPRING WASHER D8 ZN.....	1
38	01.0031.0055GT	FLAT WASHER D8 UNI 6592 ZN.....	1

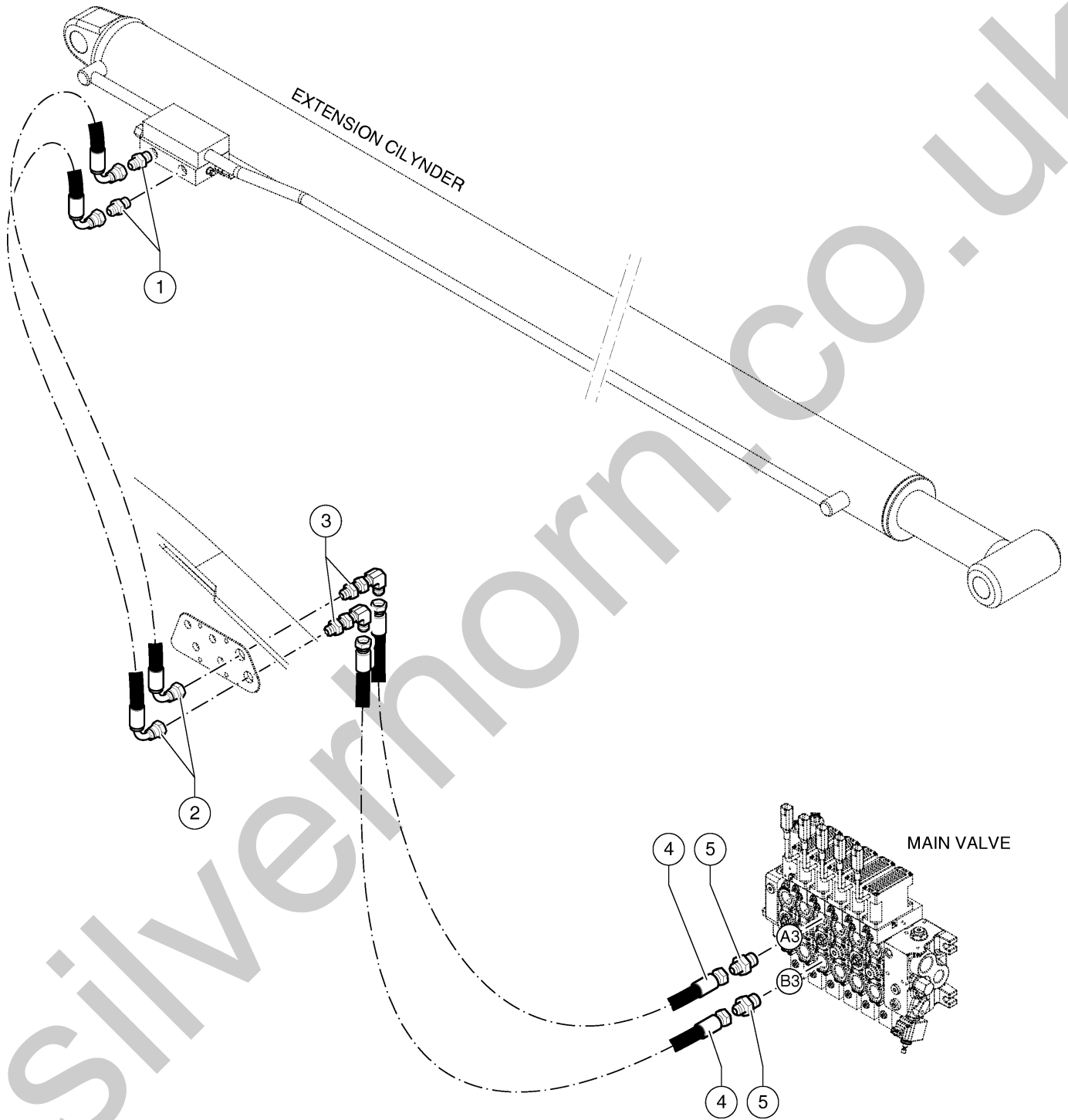
511.1 608950 Boom Extension Cylinder



511.1 608950 Boom Extension Cylinder

Item	Part No.	Description	Qty.
1	53.0100.3221GT	2nd Telescope Extension Cilinder.....	1
2	02.0117.0101GT	GREASE NIPPLE G 1/8.....	3
3	54.0001.0092GT	2nd Telescope Extension Cylinder Foot Pin.....	1
4	54.0001.0085GT	2nd Telescope Extension Cylinder Head Pin.....	1
5	01.0001.0314GT	SCREW M10X100 UNI 5737 8.8 ZN.....	2
6	01.0023.0055GT	NUT,STOP,M10 UNI 7473 6S ZN.....	2
7	51.0811.4612GT	Collar.....	1
8	01.0001.0606GT	SCREW M14X40 UNI 5739 8.8 ZN.....	2
9	01.4032.0006GT	SPRING WASHER D14 ZN.....	2
10	04.4239.0041GT	SAFETY VALVE.....	1
11	07.4529.0071GT	O-RING.....	2
12	01.0001.0306GT	SCREW M10X60 UNI 5737 8.8 ZN.....	4
13	01.0031.0056GT	FLAT WASHER D10 UNI 6592 ZN.....	4
14	01.0031.0058GT	FLAT WASHER D14 UNI 6592 ZN.....	2
16	01.4032.0004GT	SPRING WASHER D10 ZN.....	4
17	07.4529.0178GT	Seals Kit Telescope Extension Cilinder....	1

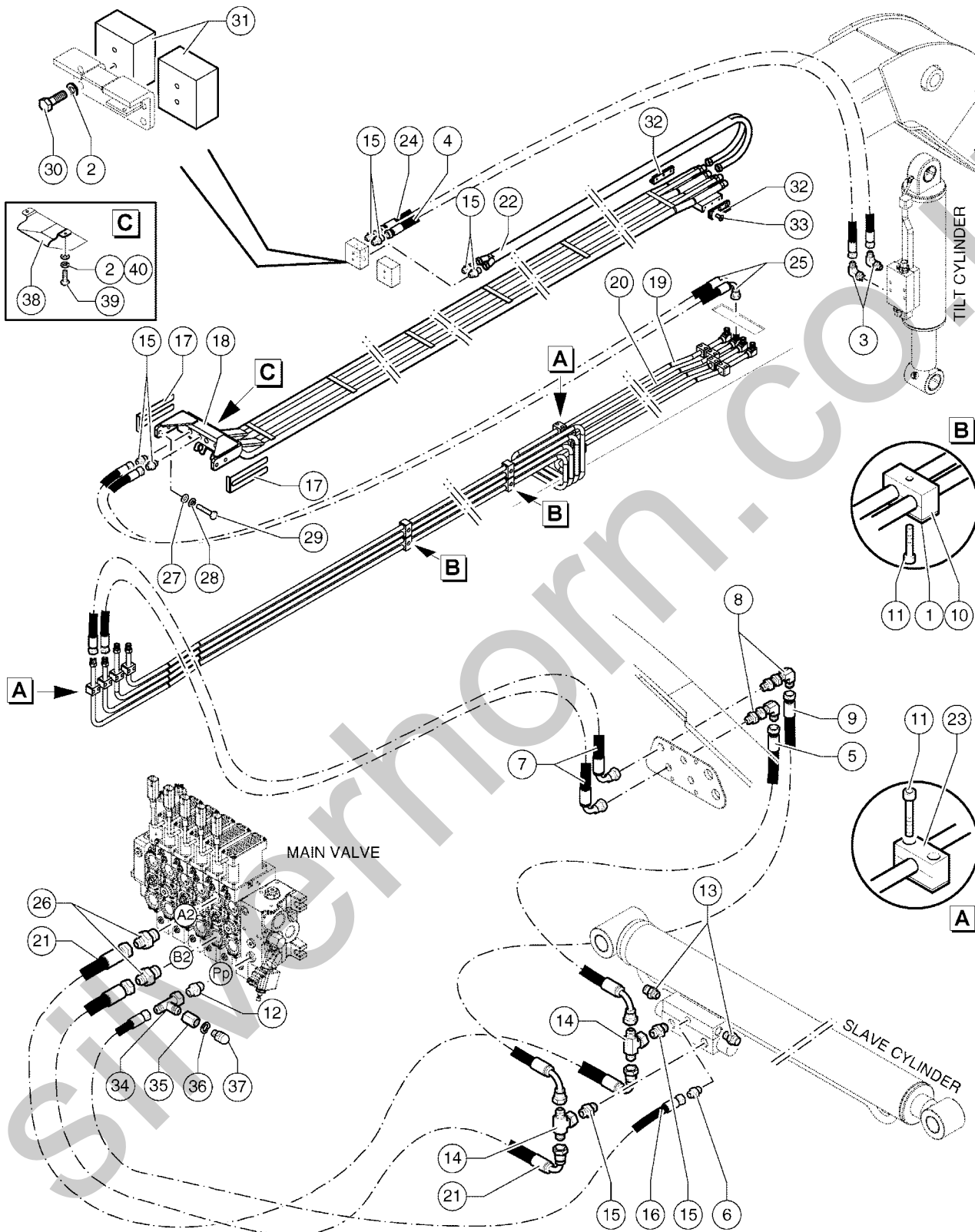
601.1 608951 Boom Extension Cylinder



601.1 608951 Boom Extension Cylinder

Item	Part No.	Description	Qty.
1	04.0607.0107GT	PIPE FITTING 3/4BSP X1"3/16-12 ORFS.....	2
2	04.0605.1054GT	HOSE 2X3/4 1400 F90-F90 13/16-12 180°.....	2
3	04.0607.0205GT	PIPE FITTING 90 M-M 1"3/16-12 ORFS.....	2
4	04.0605.1362GT	Flexible Hose ETERNITY/2 X 3/4 3300 FD FD 1 3/16"-12.....	2
5	04.0607.0121GT	PIPE FITTING 3/4 BSPX13/16-16 ORFS.....	2

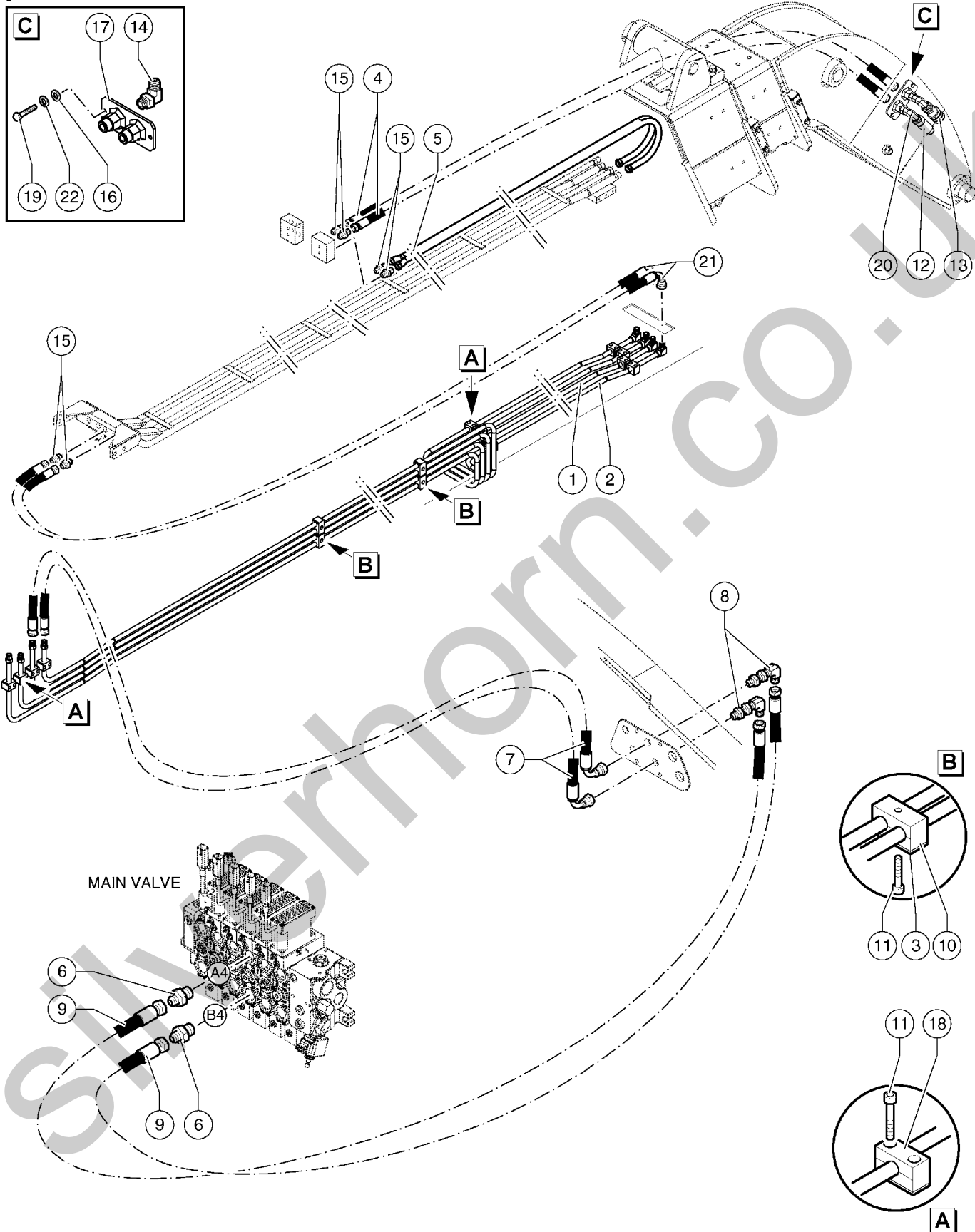
602.1 608952 Fork Balancing Cylinders



602.1 608952 Fork Balancing Cylinders

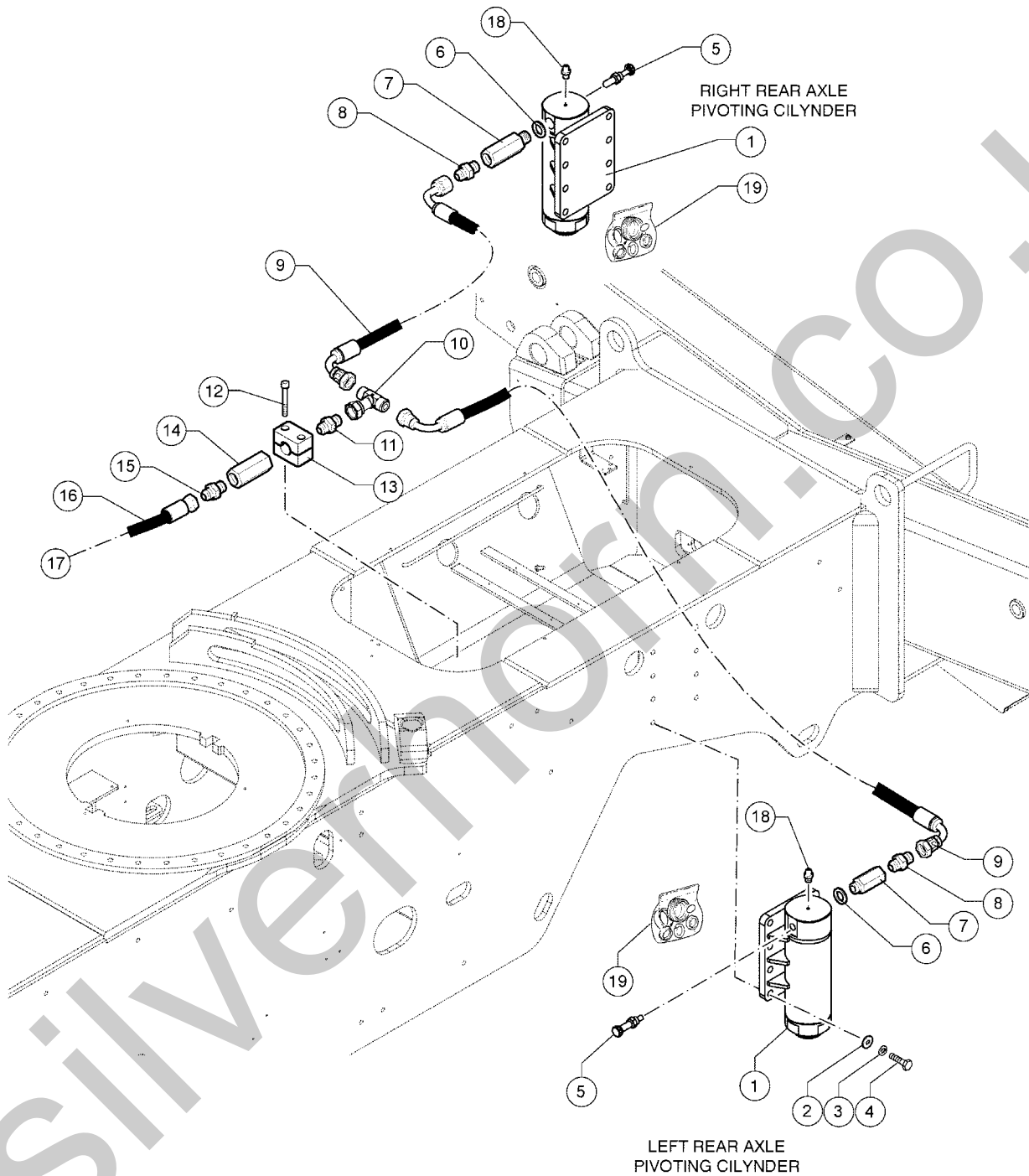
Item	Part No.	Description	Qty.	Item	Part No.	Description	Qty.
1	09.0803.0523GT	DOUBLE HOSE LOCKING PLATE D18.....	2	33	01.4006.0004GT	SCREW M8X20 UNI 5933 10.9 ZN.....	6
2	01.4032.0003GT	SPRING WASHER D8 ZN.....	6	34	04.0607.0115GT	PIPE FITTING TMF+L 9/16-18 ORFS.....	1
3	04.0607.0141GT	PIPE FITTING 90 1/2GASXM 13/16-16 ORFS.....	2	35	04.0607.0214GT	Pipe Fitting F-F 1/4X9/16-18 ORFS.....	1
4	04.0605.1259GT	Flexible Hose ETERNITY/2 X 1/2 3800FD - FD 13/16"-16.....	1	36	06.0442.0117GT	BONDED RING 1/4".....	1
5	04.0605.0558GT	HOSE ASSEMBLY, R2 X 1/2 L=1400, FD-F90 13/16-16 O.....	1	37	04.4210.0004GT	TEST PORT M1/4 BSP.....	1
6	04.0607.0114GT	PIPE FITTING 3/8 BSPX9/16-18 ORFS.....	1	38	51.0903.5219GT	Cover.....	1
7	04.0605.0704GT	Flexible Hose R2 X 1/2 LG.1000 FD F90 13/16 ORFS.....	2	39	01.0001.0252GT	SCREW M8X16 UNI 5739 8.8 ZN.....	2
8	04.0607.0124GT	PIPE FITTING 90 M-M 13/16-16 ORFS..	2	40	01.0031.0055GT	FLAT WASHER D8 UNI 6592 ZN.....	2
9	04.0605.0982GT	Flexible Hose R2 X 1/2 LG. 1550 FD - F90 13/16"-16 ORFS.....	1				
10	09.0803.0060GT	CLAMP,DOUBLE,D16.....	4				
11	01.0003.0157GT	SCREW M6X25 UNI 5931 8.8 ZN.....	28				
12	04.0607.0113GT	PIPE FITTING 1/4 BSPX9/16-18 ORFS.....	1				
13	04.4239.0004GT	SAFETY VALVE.....	2				
14	04.0607.0126GT	PIPE FITTING TMF+C 13/16-16 ORFS...2	2				
15	04.0607.0111GT	PIPE FITTING 1/2 BSPX13/16-16 ORFS.....	8				
16	04.0605.1299GT	Flexible Hose R2 X 1/4 3300 F90 FD 9/16"-18 ORFS.....	1				
17	51.0811.4057GT	Shim.....	6				
18	53.3402.4027GT	Iron Hoses.....	1				
19	52.0900.9325GT	Iron Hose With Pipe Fitting.....	1				
20	52.0900.9326GT	Iron Hose With Pipe Fitting.....	1				
21	04.0605.0896GT	HOSE R2X1/2 3300 F90 13/16-16 FD 13/16-16.....	2				
22	04.0605.1261GT	DOUBLE HOSE 1/2 LG 3025 FD 13/16-16 FD.....	1				
23	09.0803.0043GT	SINGLE HOSE BRACKET D16.....	12				
24	04.0605.1260GT	Flexible Hose ROCKMASTER/2SN 1/2 3850 FD 13/16"-16 FD 13/16"-16.....	1				
25	04.0605.1264GT	Flexible Hose SHIELDMASTER/5000 X 1/2" LG 5400 FD - F90 13/16"-16 ORFS.....	2				
26	04.0607.0121GT	PIPE FITTING 3/4 BSPX13/16-16 ORFS.....	2				
27	01.0031.0057GT	WASHER,D12 UNI 6592 ZN.....	4				
28	01.4032.0005GT	SPRING WASHER D12 ZN.....	4				
29	01.0001.0506GT	SCREW M12X30 UNI 5739 8.8 ZN.....	4				
30	01.0001.0256GT	SCREW M8X25 UNI 5739 8.8 ZN.....	4				
31	54.0600.0006GT	HOSES BLOCK.....	2				
32	54.0702.0080GT	WEAR PAD,BRONZE.....	2				

603.1 608953 Attachment



Item	Part No.	Description	Qty.
1	52.0900.9327GT	Iron Hose With Pipe Fitting.....	1
2	52.0900.9328GT	Iron Hose With Pipe Fitting.....	1
3	09.0803.0523GT	DOUBLE HOSE LOCKING PLATE D18.....	2
4	04.0605.1258GT	HOSE R2X1/2" 280 Bar LG 3850 FD FD 13/16-16 ORFS".....	2
5	04.0605.1261GT	DOUBLE HOSE 1/2 LG 3025 FD 13/16-16 FD.....	1
6	04.0607.0121GT	PIPE FITTING 3/4 BSPX13/16-16 ORFS.....	2
7	04.0605.0704GT	Flexible Hose R2 X 1/2 LG.1000 FD F90 13/16 ORFS.....	2
8	04.0607.0124GT	PIPE FITTING 90 M-M 13/16-16 ORFS..	2
9	04.0605.1363GT	Flexiblr Hose R2 X 1/2 3400 FD FD 13/16"-16.....	2
10	09.0803.0060GT	CLAMP,DOUBLE,D16.....	4
11	01.0003.0157GT	SCREW M6X25 UNI 5931 8.8 ZN.....	28
12	04.4210.0018GT	QUICK COUPLING, MALE 1/2.....	1
13	04.4210.0019GT	QUICK COUPLING, FEMALE 1/2.....	1
14	04.0607.0141GT	PIPE FITTING 90 1/2GASXM 13/16-16 ORFS.....	2
15	04.0607.0111GT	PIPE FITTING 1/2 BSPX13/16-16 ORFS.....	6
16	01.0031.0054GT	FLAT WASHER D6 UNI 6592 ZN.....	2
17	53.3001.0500GT	MANIFOLD, BOOM HOSES.....	1
18	09.0803.0043GT	SINGLE HOSE BRACKET D16.....	12
19	01.0001.0156GT	SCREW M6X20 UNI 5739 8.8 ZN.....	2
20	04.0600.0087GT	PIPE FITTING 90.....	2
21	04.0605.1264GT	Flexible Hose SHIELDMASTER/5000 X 1/2" LG 5400 FD - F90 13/16"-16 ORFS.....	2
22	01.4032.0002GT	SPRING WASHER D6 ZN.....	2

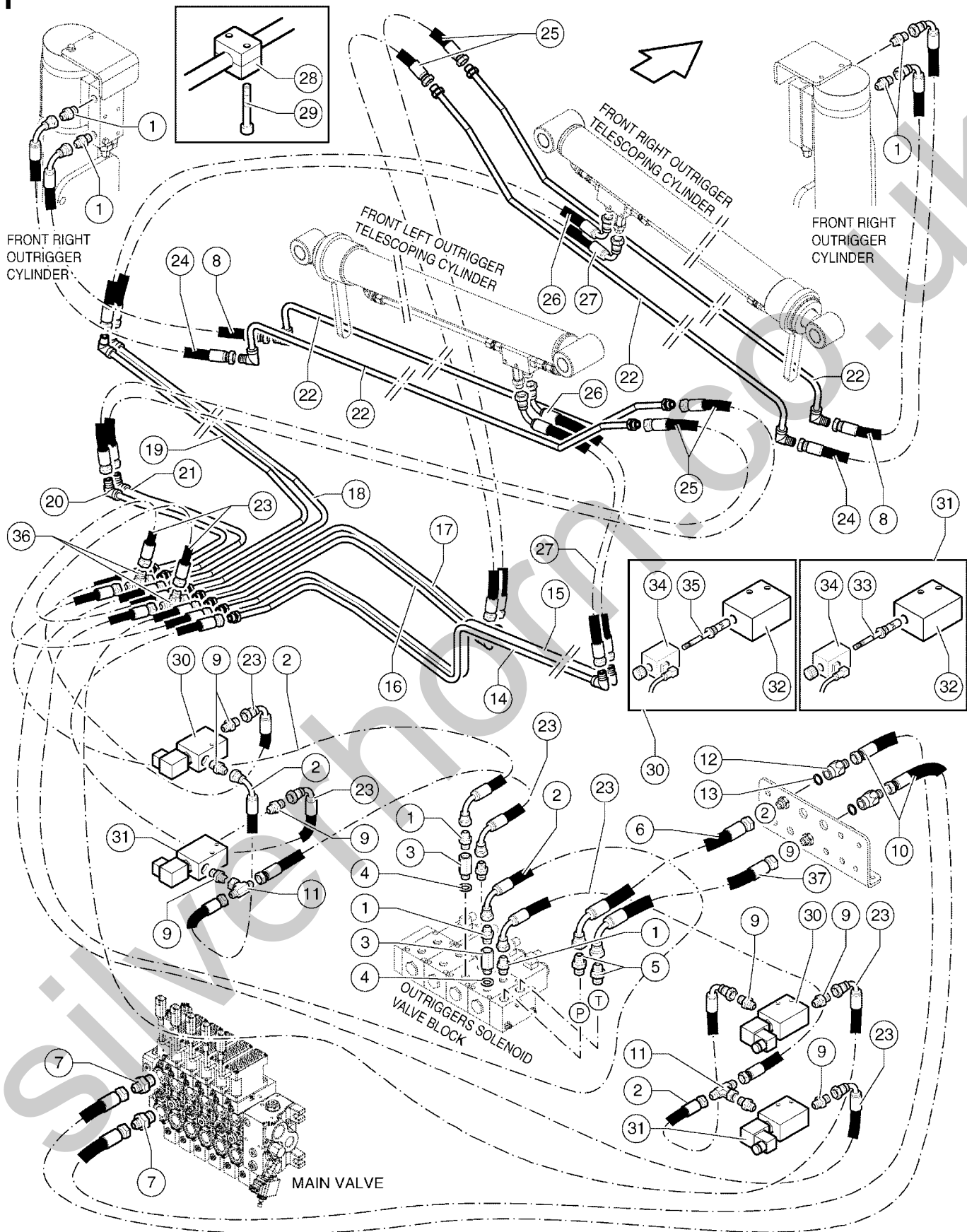
604.1 608954 Rear Axle Pivoting Cylinders



604.1 608954 Rear Axle Pivoting Cylinders

Item	Part No.	Description	Qty.
1	53.0700.0305GT	Rear Axle lock Cylinder.....	2
2	01.4032.0007GT	SPRING WASHER D16 ZN.....	16
3	01.0031.0059GT	FLAT WASHER D16 UNI 6592 ZN.....	16
4	01.0001.1537GT	SCREW M16X50 UNI 5737 10.9 ZN.....	16
5	04.4240.0024GT	CARTRIDGE.....	2
6	06.0442.0122GT	BONDED RING 1/2".....	2
7	04.0600.0091GT	PIPE FITTING CMF1/2 ES LG 25.....	2
8	04.0607.0111GT	PIPE FITTING 1/2 BSPX13/16-16 ORFS.....	2
9	04.0605.1285GT	Flexible Hose R1 X 1/2 900 F90 F90 13/16"-16 ORFS A 270°.....	2
10	04.0607.0126GT	PIPE FITTING TMF+C 13/16-16 ORFS...	1
11	04.0607.0145GT	PIPE FITTING 3/8BSPX13/16-18 ORFS.....	1
12	01.0003.0159GT	SCREW M6X35 UNI 5931 8.8 ZN.....	2
13	09.0803.0046GT	SINGLE HOSE BRACKET D25.....	1
14	04.4239.0015GT	SAFETY VALVE.....	1
15	04.0607.0114GT	PIPE FITTING 3/8 BSPX9/16-18 ORFS.....	1
16	04.0605.0459GT	HOSE R1X1/4 LG 1100 FD-FD 9/16-18 ORFS.....	1
17		See 600 Hydraulic System, Figure 608961 - Position 39	
18	04.0600.0092GT	SCREW,BLEEDER M8X1.25.....	2
19	07.4529.0131GT	SEAL KIT.....	2

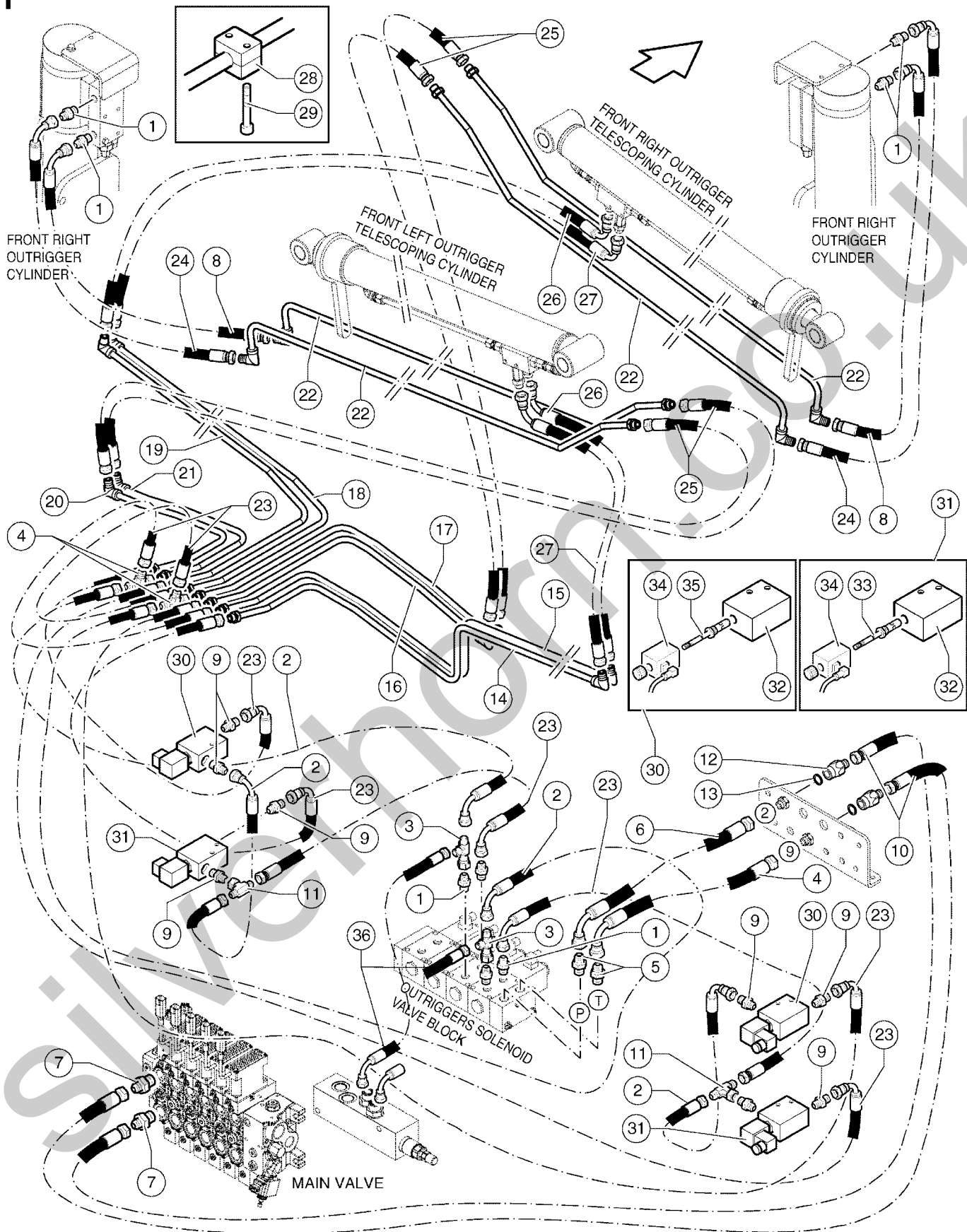
605.1 608955 Front Outriggers - To SN GTH5021R17M-164



605.1 608955 Front Outriggers - To SN GTH5021R17M-164

Item	Part No.	Description	Qty.	Item	Part No.	Description	Qty.
1	04.0607.0117GT	PIPE FITTING 3/8BSPX11/16-16 ORFS.....	8	34	04.4240.0041GT	SOLENOID.....	4
2	04.0605.0786GT	HOSE R2X3/8 LG 700 FD-F90 11/16-16 ORFS.....	4	35	04.4240.0024GT	CARTRIDGE.....	2
3	04.0600.0052GT	PIPE FITTING CMF 3/8 ES LG 40.....	2	36	04.0607.0164GT	PIPE FITTING TMF+L 11/16-16 ORFS...2	
4	06.0442.0120GT	BONDED RING 3/8".....	2	37	04.0605.1012GT	Flexible Hose R2 X 1/2 LG.850 F90 F90 13/16"-16 ORFS.....	1
5	04.0607.0111GT	PIPE FITTING 1/2 BSPX13/16-16 ORFS.....	2				
6	04.0605.1215GT	Flexible Hose R2 X 1/2 800 FD 1/2 BSP F90 13/16 ORFS.....	1				
7	04.0607.0121GT	PIPE FITTING 3/4 BSPX13/16-16 ORFS.....	2				
8	04.0605.0786GT	HOSE R2X3/8 LG 700 FD-F90 11/16-16 ORFS.....	2				
9	04.0607.0163GT	PIPE FITTING 1/4BSPX11/16-16 ORFS.....	8				
10	04.0605.1470GT	Flexible Hose R2 X 1/2 LG.2600 FD BSP FD 13/16 ORFS.....	2				
11	04.0607.0162GT	Pipe Fitting TMF+C 11/16-16 ORFS.....	2				
12	04.0600.0234GT	ROTATING JOINT F1/2" BSPXM 1/2" BSP.....	2				
13	06.0442.0122GT	BONDED RING 1/2".....	2				
14	53.3402.4051GT	Outrigger Tube.....	1				
15	53.3402.4050GT	Outrigger Tube.....	1				
16	53.3402.4049GT	Outrigger Tube.....	1				
17	53.3402.4048GT	Outrigger Tube.....	1				
18	53.3402.4047GT	Outrigger Tube.....	1				
19	53.3402.4046GT	Outrigger Tube.....	1				
20	53.3402.4044GT	Outrigger Tube.....	1				
21	53.3402.4045GT	Outrigger Tube.....	1				
22	53.3401.9500GT	Pipe.....	4				
23	04.0605.1062GT	Flexible Hose R2 X 3/8 LG. 900 FD F90 11/16-16 ORFS.....	8				
24	04.0605.0308GT	FLEXIBLE HOSE.....	2				
25	04.0605.0440GT	HOSE R2X3/8 LG 1900 F90-FD 11/16-16 ORFS.....	4				
26	04.0605.0522GT	Flexible Hose R2 X 3/8 LG 500 FD F90 11/16-16 ORFS.....	2				
27	04.0605.0430GT	HOSE R2 X 3/8 LG 550 F90-FD 11/16-16 ORFS.....	2				
28	09.0803.0064GT	SINGLE HOSE BRACKET D12.....	28				
29	01.0003.0155GT	SCREW M6X20 UNI 5931 8.8 ZN.....	56				
30	55.0106.0060GT	Valve NC.....	2				
31	55.0106.0061GT	Valve NO.....	2				
32	04.4239.0131GT	Body Valve OC.10.09.066 (3/8).....	4				
33	04.4240.0074GT	Cartridge VEI-8A-2T-06-NA-S/OD.1532181700.....	2				

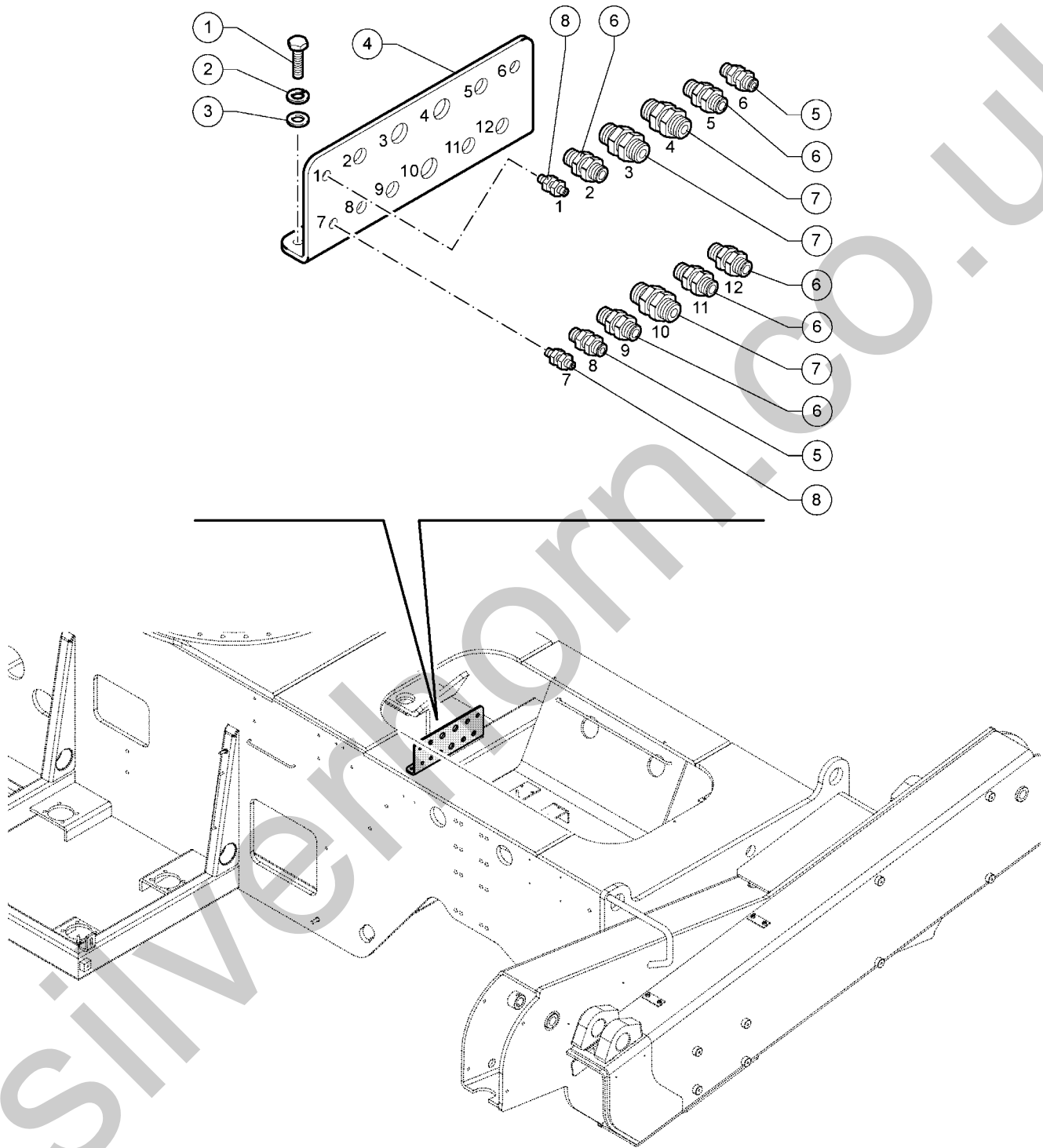
605.2 609017 Front Outriggers - From SN GTH5021R17M-165



605.2 609017 Front Outriggers - From SN GTH5021R17M-165

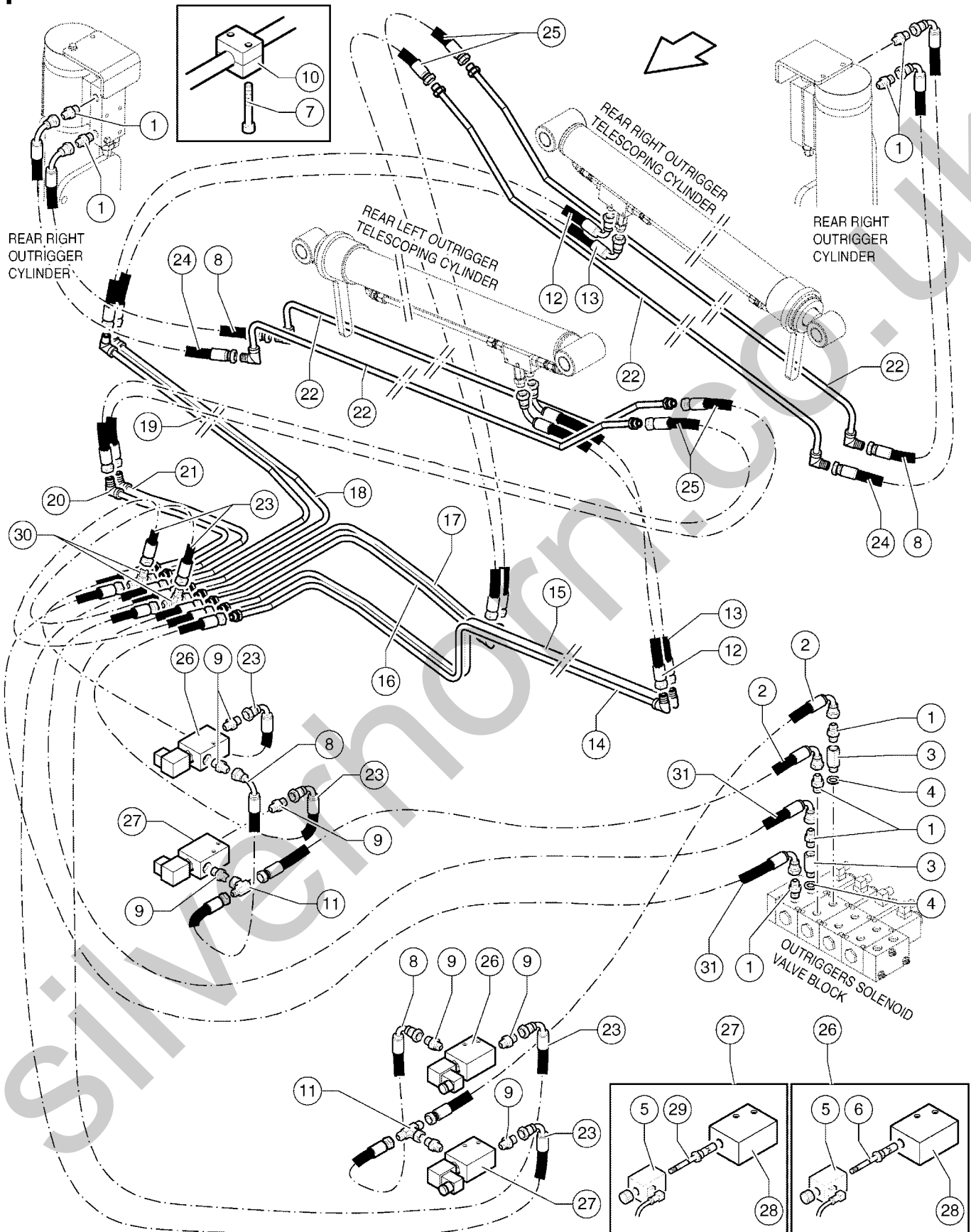
Item	Part No.	Description	Qty.	Item	Part No.	Description	Qty.
1	04.0607.0117GT	PIPE FITTING 3/8BSPX11/16-16 ORFS.....	8	34	04.4240.0041GT	SOLENOID.....	4
2	04.0605.0786GT	HOSE R2X3/8 LG 700 FD-F90 11/16-16 ORFS.....	6	35	04.4240.0024GT	CARTRIDGE.....	2
3	04.0607.0164GT	PIPE FITTING TMF+L 11/16-16 ORFS...4		36	04.0605.1183GT	HOSE R2 X 3/8 2700 F90 SF 11/16"-16.....	2
4	04.0605.1012GT	Flexible Hose R2 X 1/2 LG.850 F90 F90 13/16"-16 ORFS.....	1				
5	04.0607.0111GT	PIPE FITTING 1/2 BSPX13/16-16 ORFS.....	2				
6	04.0605.1215GT	Flexible Hose R2 X 1/2 800 FD 1/2 BSP F90 13/16 ORFS.....	1				
7	04.0607.0121GT	PIPE FITTING 3/4 BSPX13/16-16 ORFS.....	2				
8	04.0605.0786GT	HOSE R2X3/8 LG 700 FD-F90 11/16-16 ORFS.....	2				
9	04.0607.0163GT	PIPE FITTING 1/4BSPX11/16-16 ORFS.....	8				
10	04.0605.1470GT	Flexible Hose R2 X 1/2 LG.2600 FD BSP FD 13/16 ORFS.....	2				
11	04.0607.0162GT	Pipe Fitting TMF+C 11/16-16 ORFS.....	2				
12	04.0600.0234GT	ROTATING JOINT F1/2" BSPXM 1/2" BSP.....	2				
13	06.0442.0122GT	BONDED RING 1/2".....	2				
14	53.3402.4051GT	Outrigger Tube.....	1				
15	53.3402.4050GT	Outrigger Tube.....	1				
16	53.3402.4049GT	Outrigger Tube.....	1				
17	53.3402.4048GT	Outrigger Tube.....	1				
18	53.3402.4047GT	Outrigger Tube.....	1				
19	53.3402.4046GT	Outrigger Tube.....	1				
20	53.3402.4044GT	Outrigger Tube.....	1				
21	53.3402.4045GT	Outrigger Tube.....	1				
22	53.3401.9500GT	Pipe.....	4				
23	04.0605.1062GT	Flexible Hose R2 X 3/8 LG. 900 FD F90 11/16-16 ORFS.....	6				
24	04.0605.0308GT	FLEXIBLE HOSE.....	2				
25	04.0605.0440GT	HOSE R2X3/8 LG 1900 F90-FD 11/16-16 ORFS.....	4				
26	04.0605.0522GT	Flexible Hose R2 X 3/8 LG 500 FD F90 11/16-16 ORFS.....	2				
27	04.0605.0430GT	HOSE R2 X 3/8 LG 550 F90-FD 11/16-16 ORFS.....	2				
28	09.0803.0064GT	SINGLE HOSE BRACKET D12.....	28				
29	01.0003.0155GT	SCREW M6X20 UNI 5931 8.8 ZN.....	56				
30	55.0106.0060GT	Valve NC.....	2				
31	55.0106.0061GT	Valve NO.....	2				
32	04.4239.0131GT	Body Valve OC.10.09.066 (3/8).....	4				
33	04.4240.0074GT	Cartridge VEI-8A-2T-06-NA-S/OD.1532181700.....	2				

606.1 608956 Hoses Fittings Holder Plate



Item	Part No.	Description	Qty.
1	01.0001.0353GT	SCREW M10X20 UNI 5739 8.8 ZN.....	2
2	01.4032.0004GT	SPRING WASHER D10 ZN.....	2
3	01.0031.0056GT	FLAT WASHER D10 UNI 6592 ZN.....	2
4	51.0811.4160GT	Hose Lock Bracket.....	1
5	04.0600.0239GT	Pipe Fitting M 3/8" BSP X M3/8" BSP ZB.....	2
6	04.0600.0237GT	Pipe Fitting M 1/2" BSP X M 1/2" BSP ZN.....	5
7	04.0600.0236GT	Pipe Fitting M 3/4" BSP X M 3/4" BSP ZN.....	3
8	04.0600.0238GT	Pipe Fitting M 1/4" BSP X M 1/4" BSP ZN.....	2

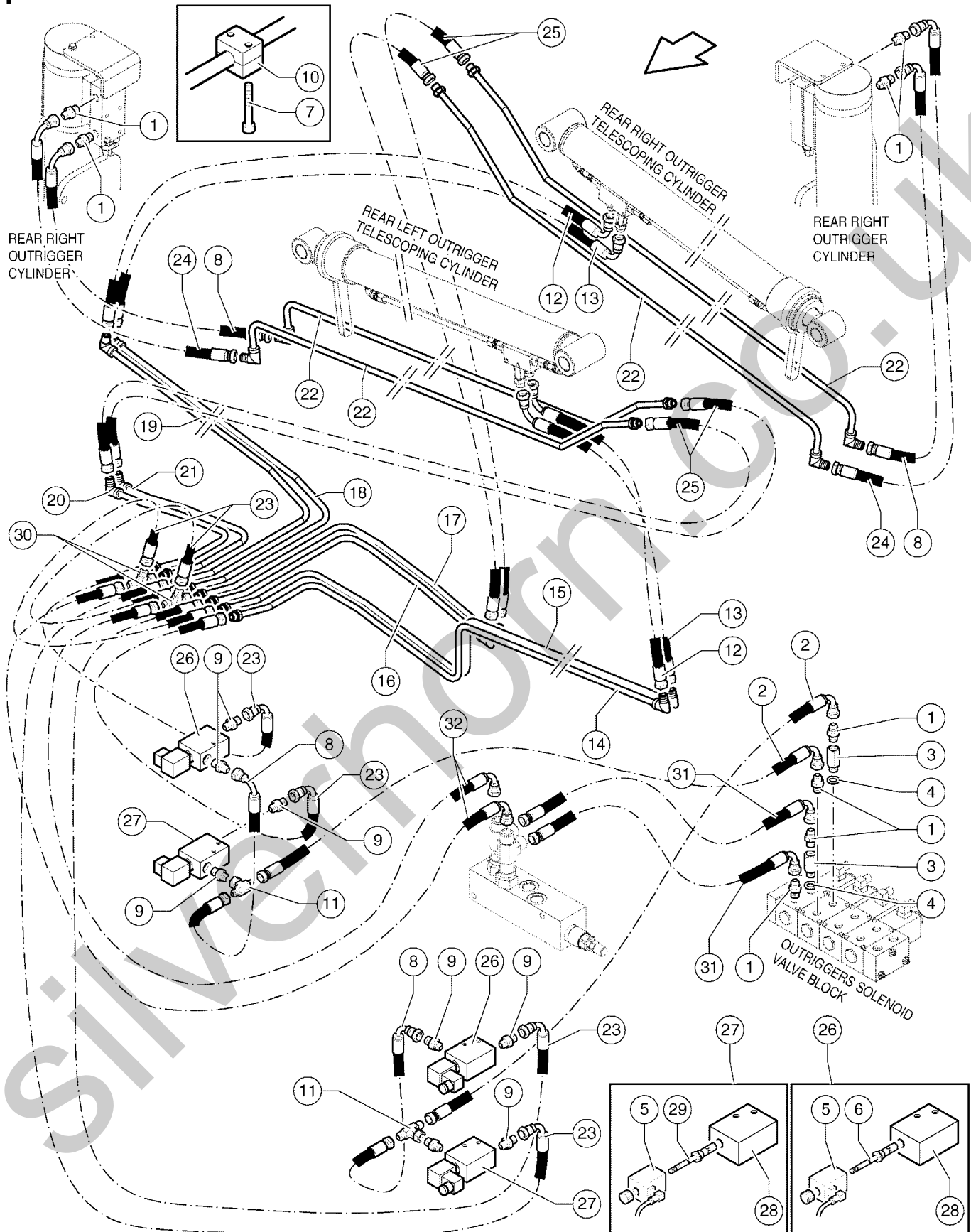
607.1 608957 Rear Outriggers - To SN GTH5021R17M-164



607.1 608957 Rear Outriggers - To SN GTH5021R17M-164

Item	Part No.	Description	Qty.
1	04.0607.0117GT	PIPE FITTING 3/8BSPX11/16-16 ORFS.....	8
2	04.0605.1373GT	Flexible Hose R2 X 3/8 4000 FD F90 11/16"-16.....	2
3	04.0600.0052GT	PIPE FITTING CMF 3/8 ES LG 40.....	2
4	06.0442.0120GT	BONDED RING 3/8".....	2
5	04.4240.0041GT	SOLENOID.....	4
6	04.4240.0024GT	CARTRIDGE.....	2
7	01.0003.0155GT	SCREW M6X20 UNI 5931 8.8 ZN.....	56
8	04.0605.0786GT	HOSE R2X3/8 LG 700 FD-F90 11/16-16 ORFS.....	4
9	04.0607.0163GT	PIPE FITTING 1/4BSPX11/16-16 ORFS.....	8
10	09.0803.0064GT	SINGLE HOSE BRACKET D12.....	28
11	04.0607.0162GT	Pipe Fitting TMF+C 11/16-16 ORFS.....	2
12	04.0605.0522GT	Flexible Hose R2 X 3/8 LG 500 FD F90 11/16-16 ORFS.....	2
13	04.0605.0430GT	HOSE R2 X 3/8 LG 550 F90-FD 11/16-16 ORFS.....	2
14	53.3402.4051GT	Outrigger Tube.....	1
15	53.3402.4050GT	Outrigger Tube.....	1
16	53.3402.4049GT	Outrigger Tube.....	1
17	53.3402.4048GT	Outrigger Tube.....	1
18	53.3402.4047GT	Outrigger Tube.....	1
19	53.3402.4046GT	Outrigger Tube.....	1
20	53.3402.4044GT	Outrigger Tube.....	1
21	53.3402.4045GT	Outrigger Tube.....	1
22	53.3401.9500GT	Pipe.....	4
23	04.0605.1062GT	Flexible Hose R2 X 3/8 LG. 900 FD F90 11/16-16 ORFS.....	6
24	04.0605.0308GT	FLEXIBLE HOSE.....	2
25	04.0605.0440GT	HOSE R2X3/8 LG 1900 F90-FD 11/16-16 ORFS.....	4
26	55.0106.0060GT	Valve NC.....	2
27	55.0106.0061GT	Valve NO.....	2
28	04.4239.0131GT	Body Valve OC.10.09.066 (3/8).....	4
29	04.4240.0074GT	Cartridge VEI-8A-2T-06-NA-S/OD.1532181700.....	2
30	04.0607.0164GT	PIPE FITTING TMF+L 11/16-16 ORFS..	2
31	04.0605.1214GT	HOSE R2X3/8 LG 4400 FD-F90 11/16-16 ORFS.....	2

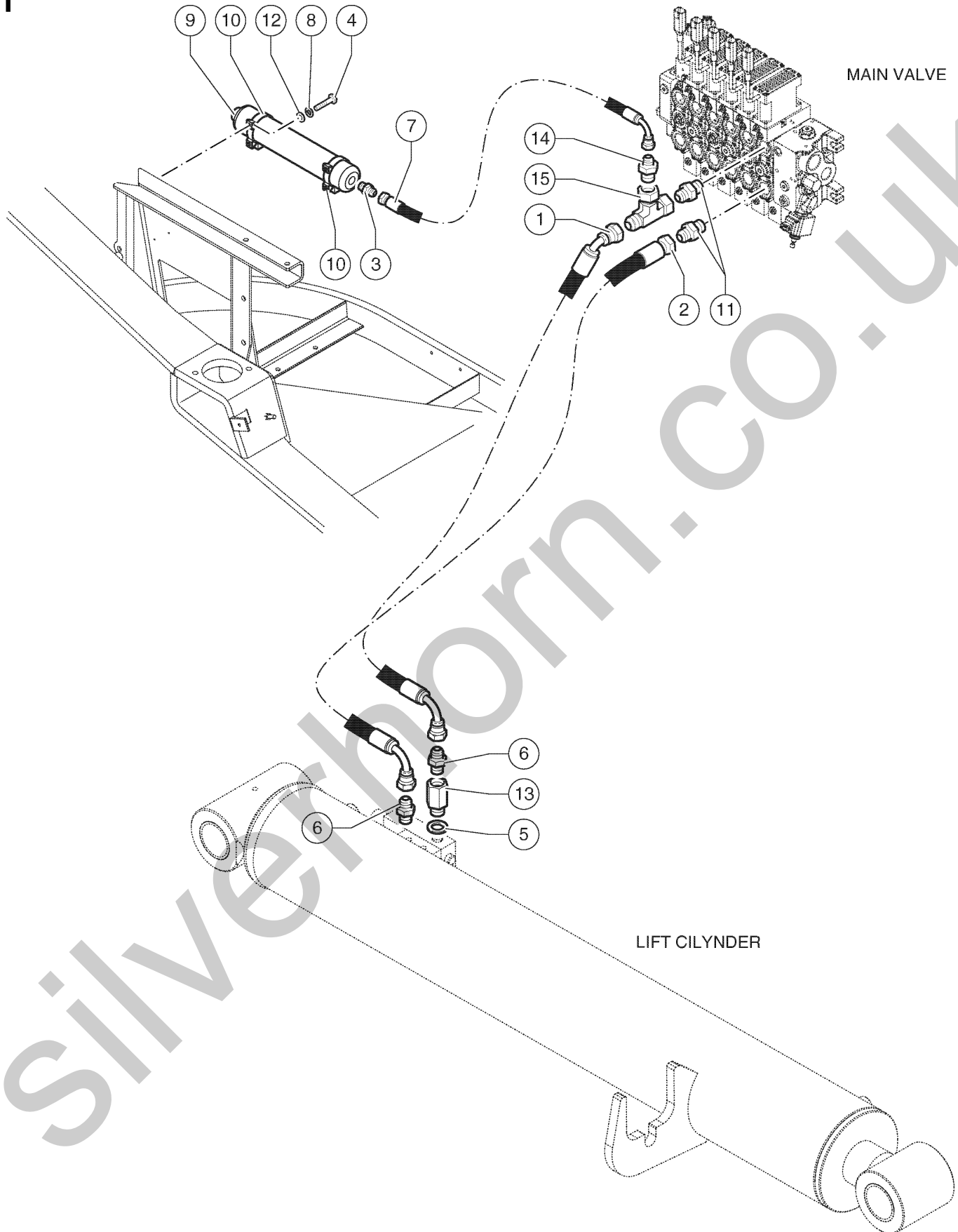
607.2 609018 Rear Outriggers - From SN GTH5021R17M-165



607.2 609018 Rear Outriggers - From SN GTH5021R17M-165

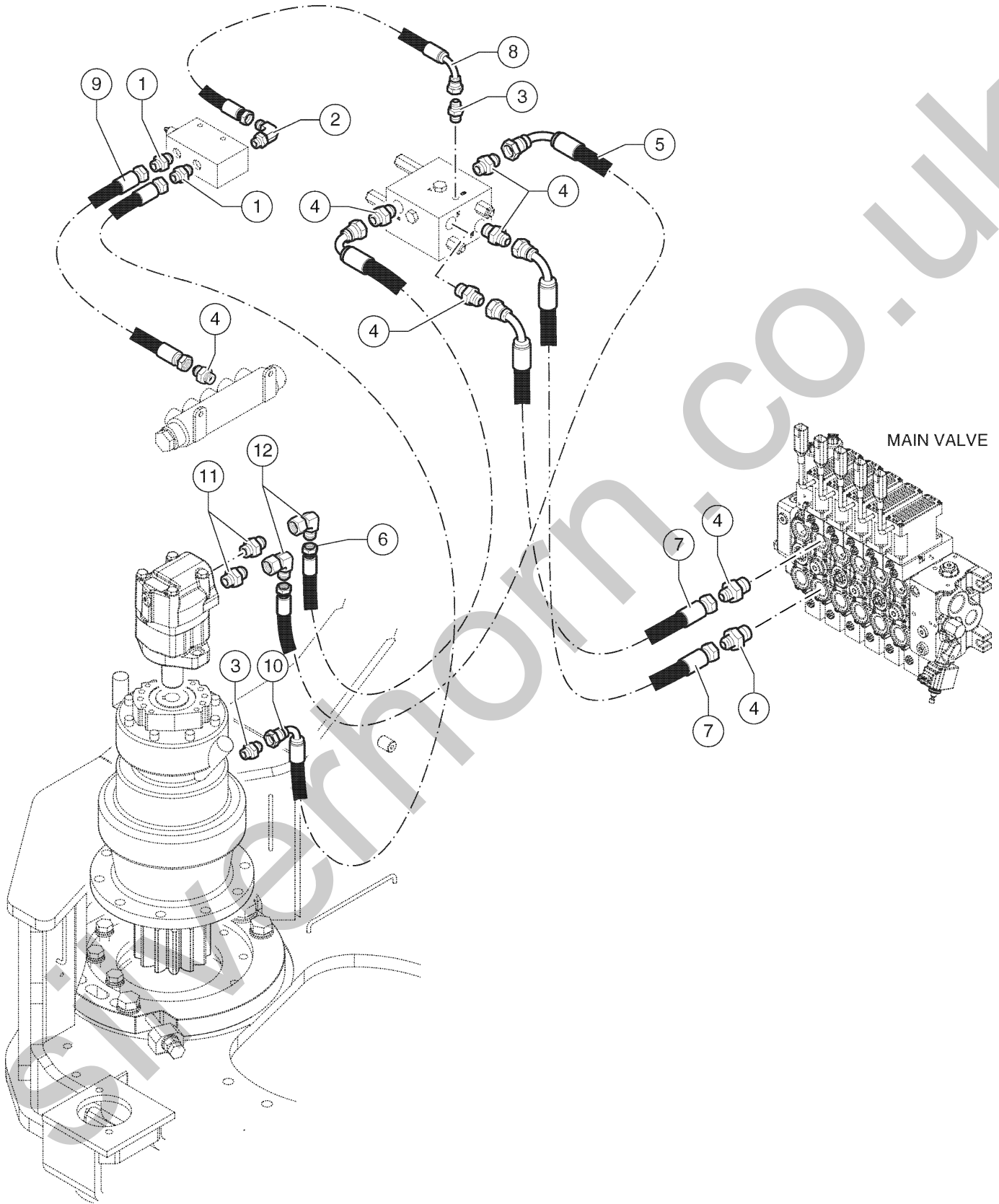
Item	Part No.	Description	Qty.
1	04.0607.0117GT	PIPE FITTING 3/8BSPX11/16-16 ORFS.....	8
2	04.0605.1373GT	Flexible Hose R2 X 3/8 4000 FD F90 11/16"-16.....	2
3	04.0600.0052GT	PIPE FITTING CMF 3/8 ES LG 40.....	2
4	06.0442.0120GT	BONDED RING 3/8".....	2
5	04.4240.0041GT	SOLENOID.....	4
6	04.4240.0024GT	CARTRIDGE.....	2
7	01.0003.0155GT	SCREW M6X20 UNI 5931 8.8 ZN.....	56
8	04.0605.0786GT	HOSE R2X3/8 LG 700 FD-F90 11/16-16 ORFS.....	4
9	04.0607.0163GT	PIPE FITTING 1/4BSPX11/16-16 ORFS.....	8
10	09.0803.0064GT	SINGLE HOSE BRACKET D12.....	28
11	04.0607.0162GT	Pipe Fitting TMF+C 11/16-16 ORFS.....	2
12	04.0605.0522GT	Flexible Hose R2 X 3/8 LG 500 FD F90 11/16-16 ORFS.....	2
13	04.0605.0430GT	HOSE R2 X 3/8 LG 550 F90-FD 11/16-16 ORFS.....	2
14	53.3402.4051GT	Outrigger Tube.....	1
15	53.3402.4050GT	Outrigger Tube.....	1
16	53.3402.4049GT	Outrigger Tube.....	1
17	53.3402.4048GT	Outrigger Tube.....	1
18	53.3402.4047GT	Outrigger Tube.....	1
19	53.3402.4046GT	Outrigger Tube.....	1
20	53.3402.4044GT	Outrigger Tube.....	1
21	53.3402.4045GT	Outrigger Tube.....	1
22	53.3401.9500GT	Pipe.....	4
23	04.0605.1062GT	Flexible Hose R2 X 3/8 LG. 900 FD F90 11/16-16 ORFS.....	6
24	04.0605.0308GT	FLEXIBLE HOSE.....	2
25	04.0605.0440GT	HOSE R2X3/8 LG 1900 F90-FD 11/16-16 ORFS.....	4
26	55.0106.0060GT	Valve NC.....	2
27	55.0106.0061GT	Valve NO.....	2
28	04.4239.0131GT	Body Valve OC.10.09.066 (3/8).....	4
29	04.4240.0074GT	Cartridge VEI-8A-2T-06-NA-S/OD.1532181700.....	2
30	04.0607.0164GT	PIPE FITTING TMF+L 11/16-16 ORFS...2	
31	04.0605.1183GT	HOSE R2 X 3/8 2700 F90 SF 11/16"-16.....	2
32	04.0605.0254GT	Flexible Hose.....	2

608.1 608958 Lift Cylinder



Item	Part No.	Description	Qty.
1	04.0605.1361GT	Flexible Hose ETERNITY/2 X 3/4 2150F90 F45 1 3/16"-12 A 180°.....	1
2	04.0605.1360GT	Flexible Hose ETERNITY/2 X 3/4 2000 FD F90 1 3/16"-12.....	1
3	04.0607.0111GT	PIPE FITTING 1/2 BSPX13/16-16 ORFS.....	2
4	01.0001.0254GT	SCREW M8X20 UNI 5739 8.8 ZN.....	1
5	06.0442.0122GT	BONDED RING 1/2".....	1
6	04.0607.0102GT	PIPE FITTING 1/2BSPX1-3/16-12ORFS.....	2
7	04.0605.1062GT	Flexible Hose R2 X 3/8 LG. 900 FD F90 11/16-16 ORFS.....	1
8	01.4032.0003GT	SPRING WASHER D8 ZN.....	1
9	05.4329.0027GT	ACCUMULATOR 0.5 L.....	1
10	04.4227.0016GT	CLAMP D60 HOLE 10.5.....	2
11	04.0607.0107GT	PIPE FITTING 3/4BSP X1"3/16-12 ORFS.....	2
12	01.0031.0055GT	FLAT WASHER D8 UNI 6592 ZN.....	1
13	04.0600.0016GT	PIPE FITTING CMF G1/2 ES LG 45.....	1
14	04.0607.0170GT	PIPE FITTING TMF+L 1"3/16-12 ORFS 3/8".....	1
15	04.0607.0117GT	PIPE FITTING 3/8BSPX11/16-16 ORFS.....	1

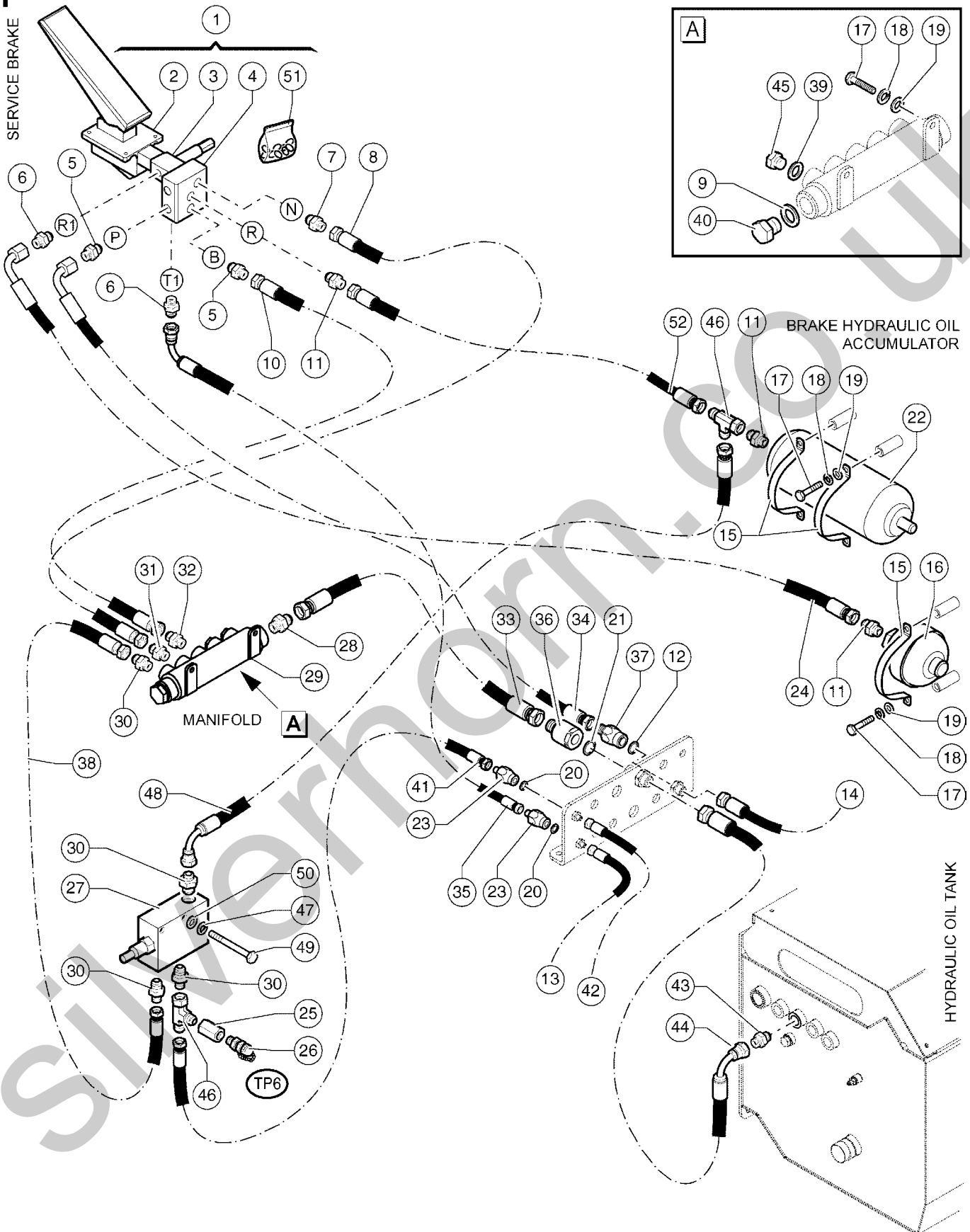
609.1 608959 Slewing Upper Structure Rotation



609.1 608959 Slewing Upper Structure Rotation

Item	Part No.	Description	Qty.
1	04.0607.0114GT	PIPE FITTING 3/8 BSPX9/16-18 ORFS.....	3
2	04.0607.0140GT	PIPE FITTING 3/8 BSPX9/16 ORFS.....	1
3	04.0607.0113GT	PIPE FITTING 1/4 BSPX9/16-18 ORFS.....	2
4	04.0607.0121GT	PIPE FITTING 3/4 BSPX13/16-16 ORFS.....	6
5	04.0605.0737GT	Flexible Hose R2 X 1/2" Lg. 2600 F90 - FD 13/16"-16 ORFS.....	1
6	04.0605.1253GT	HOSE R2X1/2 LG 2800 F90-FD 13/16-12 ORFS.....	1
7	04.0605.0443GT	HOSE R2X1/2 LG 1300 F90-FD 13/16-16 ORFS.....	2
8	04.0605.0113GT	HOSE R2X1/4 LG 405 FD-F90 9/16-18 ORFS.....	1
9	04.0605.0810GT	HOSE R2X1/4 2000 FD 9/16-18 FD 9/16-18.....	1
10	04.0605.0998GT	Flexible Hose R2 X 1/4 LG1900 FD-F90 9/16"-18 ORFS.....	1
11	04.0607.0111GT	PIPE FITTING 1/2 BSPX13/16-16 ORFS.....	2
12	04.0607.0109GT	PIPE FITTING,90 M-F 13/16-16.....	2

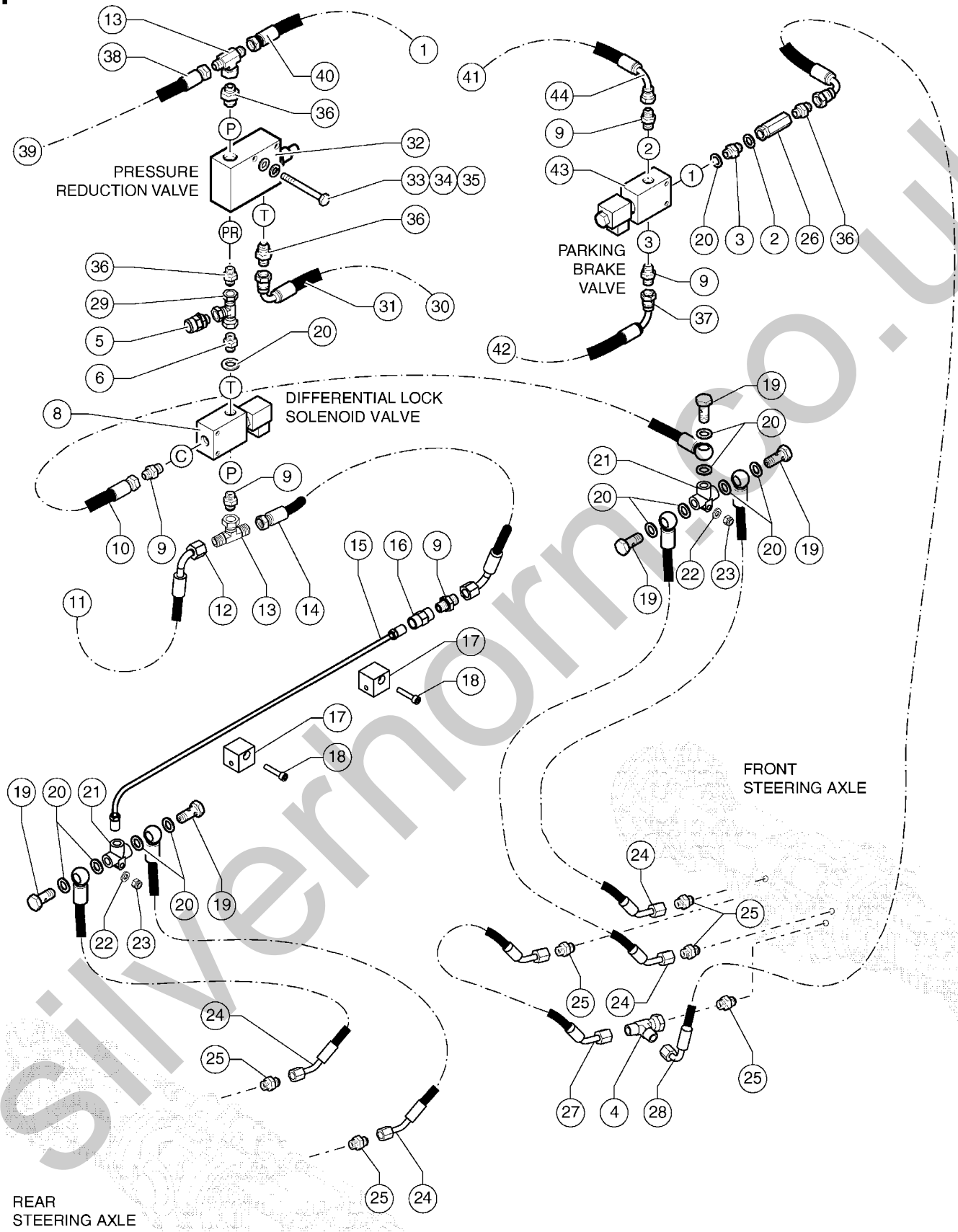
610.1 608960 Service Brake, Parking Brake, Differential Lock Solenoid Valve - Part 1



610.1 608960 Service Brake, Parking Brake, Differential Lock Solenoid Valve - Part 1

Item	Part No.	Description	Qty.	Item	Part No.	Description	Qty.
1	05.4309.0006GT	Complete Service Brake.....	1	34	04.0605.1466GT	Flexible Hose R2 X 1/2 3000 FD BSP FD 13/169 ORFS.....	1
2	07.0730.0074GT	Pedal Support.....	1	35	04.0605.1465GT	Flexible Hose R2 X 1/4 2200 FD BSP F90 9/16 ORFS.....	1
3	07.0730.0073GT	Hydraulic Pump.....	1	36	04.0600.0235GT	Rotating Joint F3/4" BSP X M 3/4" BSP MBGGD34.....	1
4	07.0730.0072GT	Hydraulic Valve.....	1	37	04.0600.0234GT	ROTATING JOINT F1/2" BSPXM 1/2" BSP.....	1
5	04.0607.0111GT	PIPE FITTING 1/2 BSPX13/16-16 ORFS.....	2	38	04.0605.1300GT	Flexible Hose R2 X 1/4 1400 F90 FD 9/16"-18 ORFS.....	1
6	04.0607.0153GT	PIPE FITTING 14X1.5X9/16-18 ORFS.....	2	39	06.0442.0120GT	BONDED RING 3/8".....	1
7	04.0607.0137GT	PIPE FITTING 18X1.5X11/16 ORFS.....	1	40	04.0220.0059GT	PLUG 3/4 BSP.....	1
8	04.0605.0901GT	Flexible Hose R1 X 3/8 LG.550 FD FD11/16-16 ORFS.....	1	41	04.0605.1471GT	Flexible Hose R2 X 1/4 LG 2500 FD BSP FD 9/16 ORFS.....	1
9	06.0442.0124GT	BONDED RING 3/4.....	1	42		See 600 Hydraulic System, Figure 608961 - Position 42	
10	04.0605.0902GT	Flexible Hose R1 X 1/2 LG.500 FD FD13/16-16 ORFS.....	1	43	04.0607.0130GT	PIPE FITTING 1 BSPX1-3/16-12 ORFS.....	1
11	04.0607.0855GT	PIPE FITTING M18X1,5 M 9/16-18 ORFS.....	3	44	04.0605.1015GT	Flexible Hose R2 X 3/4 LG. 2000 FD - F90 1 3/16"-12 ORFS.....	1
12	06.0442.0122GT	BONDED RING 1/2".....	1	45	04.0220.0053GT	PLUG 3/8" BSP.....	1
13		See 600 Hydraulic System, Figure 608961 - Position 11		46	04.0607.0115GT	PIPE FITTING TMF+L 9/16-18 ORFS.....	1
14		See 600 Hydraulic System, Figure 608962 - Position 16		47	01.4032.0002GT	SPRING WASHER D6 ZN.....	2
15	04.4227.0016GT	CLAMP D60 HOLE 10.5.....	3	48	04.0605.0720GT	HOSE R2X1/4 LG 350 FD-F90 9/16 ORFS.....	1
16	05.4329.0029GT	ACCUMULATOR 0.5 L.....	1	49	01.0001.0106GT	SCREW M6X50 UNI 5737 8.8 ZN.....	2
17	01.0001.0254GT	SCREW M8X20 UNI 5739 8.8 ZN.....	8	50	01.0031.0298GT	FLAT WASHER D6 UNI 6593 ZN.....	2
18	01.4032.0003GT	SPRING WASHER D8 ZN.....	8	51	07.0730.0079GT	Seal kit.....	1
19	01.0031.0055GT	FLAT WASHER D8 UNI 6592 ZN.....	8	52	04.0605.0768GT	Flexible Hose.....	1
20	04.0442.0117GT	Bonded Ring 1/4".....	2				
21	04.0442.0124GT	Bonded Ring 3/4".....	1				
22	05.4329.0011GT	ACCUMULATOR 1.5 L.....	1				
23	04.0600.0232GT	Rotating Joint F1/4" BSP X M 1/4" BSP MBGGD14.....	2				
24	04.0605.0464GT	HOSE R2X1/4 2100 FD 9/16-18 F90 9/16-18.....	1				
25	04.0607.0166GT	Pipe Fitting F-F M12x1,5X9/16-16 ORFS.....	1				
26	04.4210.0003GT	Pressure Port MCS (M12X1.5)OLEOTEC.....	1				
27	04.4225.0002GT	VALVE.....	1				
28	04.0607.0107GT	PIPE FITTING 3/4BSP X1"3/16-12 ORFS.....	1				
29	53.3000.1100GT	Manifold.....	1				
30	04.0607.0114GT	PIPE FITTING 3/8 BSPX9/16-18 ORFS.....	4				
31	04.0607.0117GT	PIPE FITTING 3/8BSPX11/16-16 ORFS.....	1				
32	04.0607.0145GT	PIPE FITTING 3/8BSPX13/16-18 ORFS.....	1				
33	04.0605.1468GT	Flexible Hose R4 X 3/4 1750 FD BSP FD 1"3/16 ORFS.....	1				

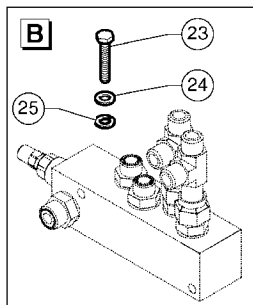
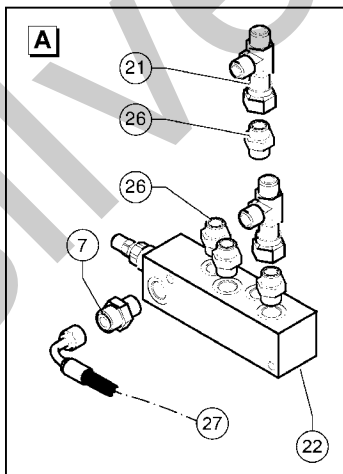
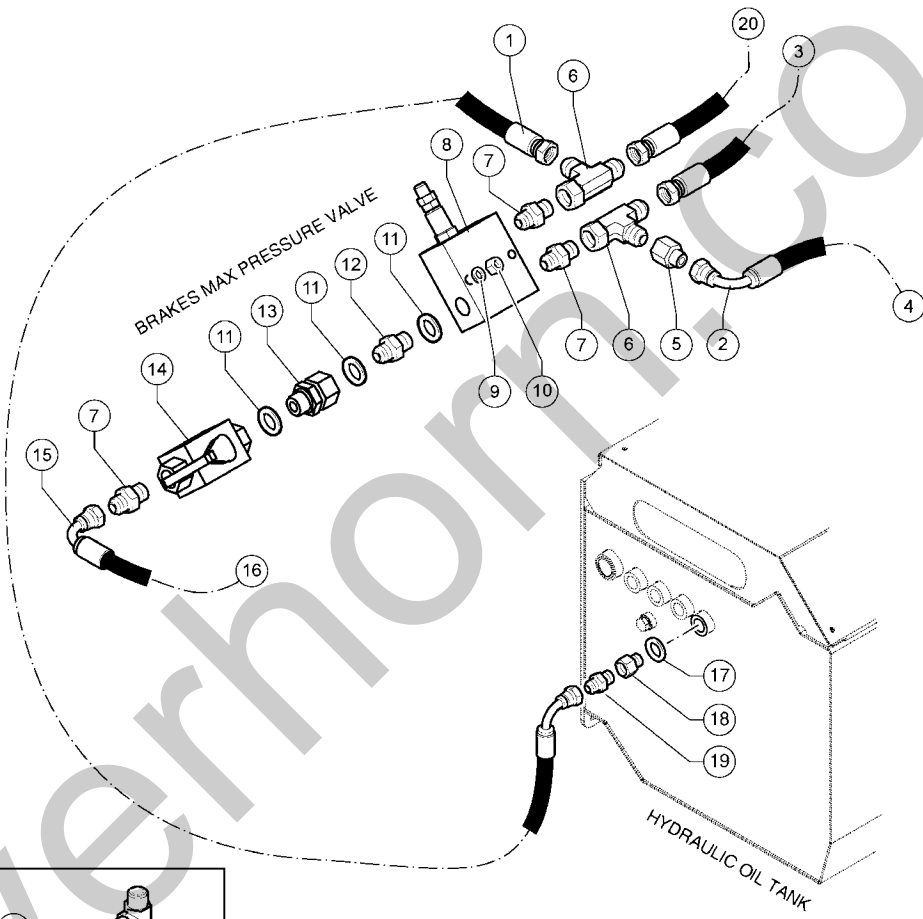
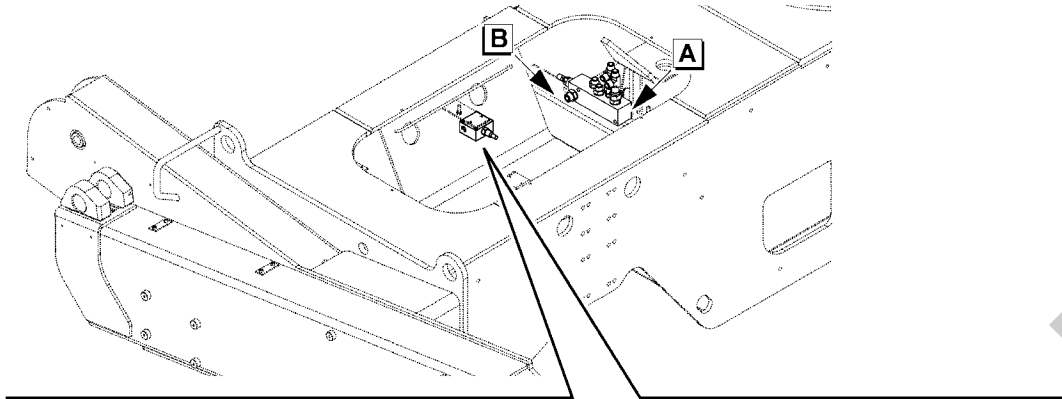
611.1 608961 Service Brake, Parking Brake, Differential Lock Solenoid Valve - Part 2



611.1 608961 Service Brake, Parking Brake, Differential Lock Solenoid Valve - Part 2

Item	Part No.	Description	Qty.	Item	Part No.	Description	Qty.
1		See 600 Hydraulic System, Figure 608971 - Position 2		36	04.0607.0114GT	PIPE FITTING 3/8 BSPX9/16-18 ORFS.....	3
2	06.0442.0120GT	BONDED RING 3/8".....	1	37	04.0605.0269GT	Flexible Hose R1 X 1/4" Lg. 900 F90 - F90 9/16"-18 ORFS a 90°.....	1
3	04.0600.0021GT	PIPE FITTING 1/4X3/8 BSP.....	1	38	04.0605.0459GT	HOSE R1X1/4 LG 1100 FD-FD 9/16-18 ORFS.....	1
4	04.0607.0115GT	PIPE FITTING TMF+L 9/16-18 ORFS.....	1	39		See 600 Hydraulic System, Figure 608954 - Position 17	
5	04.4210.0004GT	TEST PORT M1/4 BSP.....	1	40	04.0605.1141GT	Flexible Hose R2 X 1/4 1100 FD FD 9/16-18.....	1
6	04.0607.0854GT	Pipe Fitting GMF M 1/4" BSP X F 9/16"-18 ORFS.....	1	41		See 600 Hydraulic System, Figure 608960 Pos. 42	
7	06.0442.0118GT	BONDED RING M13.....	1	42		See 600 Hydraulic System, Figure 608971 Pos. 19	
8	04.4239.0074GT	SAFETY VALVE.....	1	43	04.4240.0015GT	VALVE.....	1
9	04.0607.0113GT	PIPE FITTING 1/4 BSPX9/16-18 ORFS.....	5	44	04.0605.1693GT	HOSE R1 X 1/4 2400 F90 9/16"-18 ORFS FD 1/4 BSP.....	1
10	04.0605.1610GT	Flexible Hose ETERNITY/2 X 1/4 2200 Hole D.12 FD 9/16"-18.....	1				
11		See 600 Hydraulic System, Figure 608960 - Position 13					
12	04.0605.1609GT	Flexible Hose R2 X 1/4 1700 F90 9/16"-18 F90 1/4 BSP 270°.....	1				
13	04.0607.0131GT	PIPE FITTING TMF+C 9/16-18 ORFS.....	2				
14	04.0605.1612GT	HOSE, ETERNITY, /2 X 1/4 1300 F90 FD 9/16"-18.....	1				
15	53.3400.5100GT	PIPE, STEEL.....	1				
16	05.0401.0010GT	Pipe Fitting FF M12x1 X1/4".....	1				
17	09.0803.0015GT	Clamp.....	2				
18	01.0003.0158GT	SCREW, TCEI, M6X30 UNI 8.8 ZN.....	2				
19	05.0401.0004GT	Drilled Screw M12X1.....	5				
20	06.0442.0117GT	BONDED RING 1/4".....	11				
21	05.0401.0000GT	Pipe Fitting 3Way M12X1.....	2				
22	01.0031.0054GT	FLAT WASHER D6 UNI 6592 ZN.....	2				
23	01.0023.0053GT	STOP NUT M6 UNI 7473 6S ZN.....	2				
24	04.0605.0947GT	HOSE R2X1/4 LG 1000 F45 9/16-18 HOLE D12.....	4				
25	04.0607.0180GT	PIPE FITTING M10X1- 9/16-18 ORFS.....	6				
26	04.4239.0015GT	SAFETY VALVE.....	1				
27	04.0605.1582GT	Flexible Hose R2(2SC) 1/4 800 F45 F45 9/16"-18 ORFS A 90°.....	1				
28	04.0605.0931GT	Flexible Hose R2 X 1/4 LG.2400 F90 F90 9/16"-18 180°.....	1				
29	04.0607.0115GT	PIPE FITTING TMF+L 9/16-18 ORFS.....	1				
30		See 600 Hydraulic System, Figure 608971 - Position 6					
31	04.0605.0231GT	Flexible Hose R1 X 1/4" Lg. 1400 F90 - F90 9/16"-18 ORFS.....	1				
32	04.4225.0002GT	VALVE.....	1				
33	01.0031.0298GT	FLAT WASHER D6 UNI 6593 ZN.....	2				
34	01.4032.0002GT	SPRING WASHER D6 ZN.....	2				
35	01.0001.0108GT	SCREW M6X60 UNI 5737 8.8 ZN.....	2				

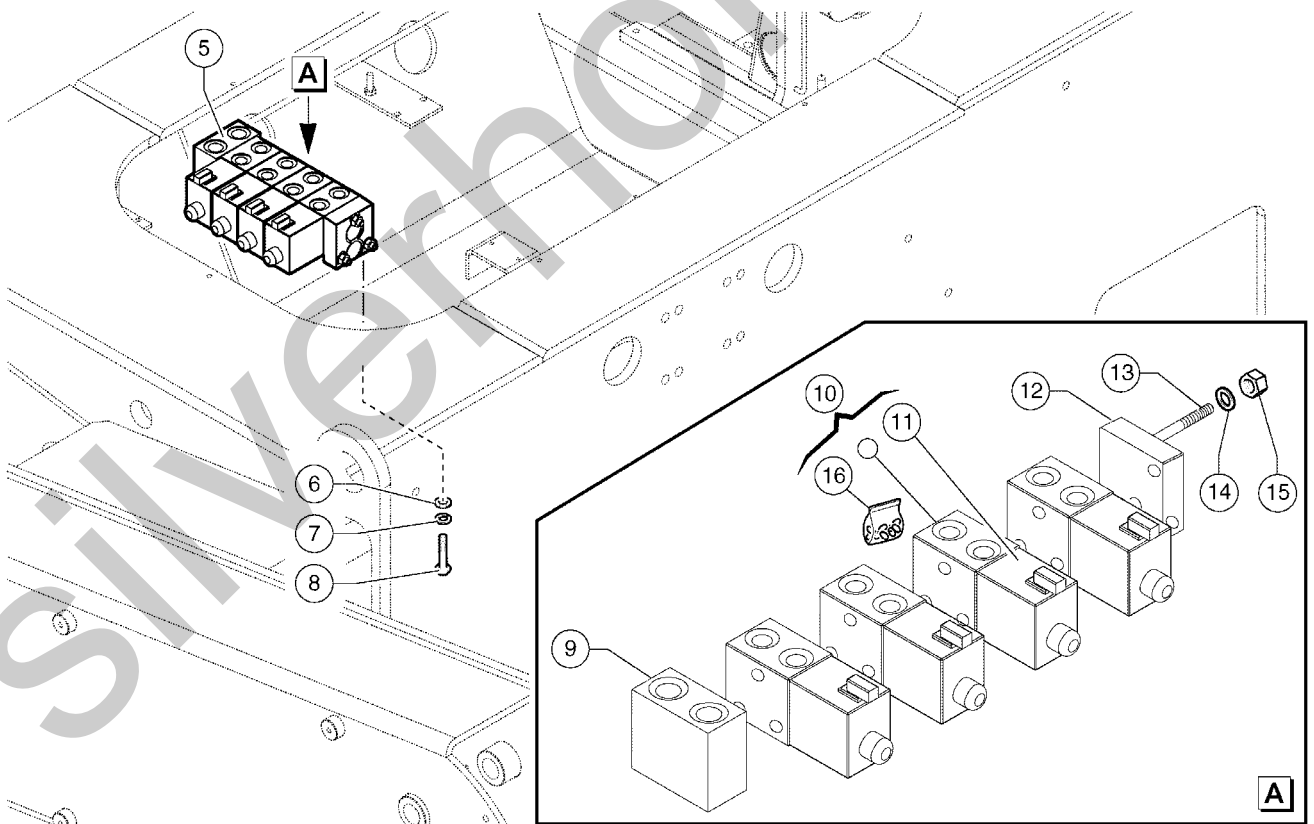
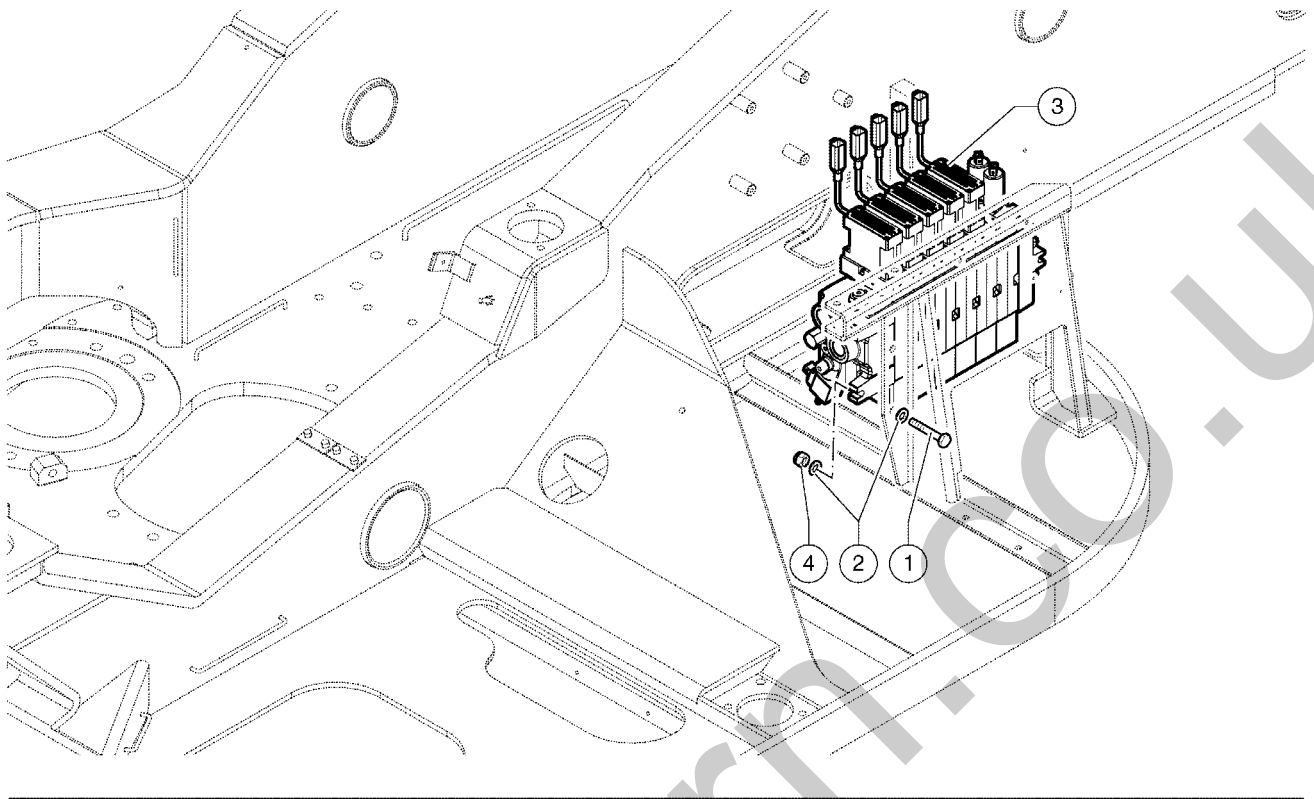
612.1 608962 Brakes Max Pressure Valve



612.1 608962 Brakes Max Pressure Valve

Item	Part No.	Description	Qty.
1	04.0605.0309GT	HOSE R1X1/2 LG 2000 FD-F90 13/16-16 ORFS.....	1
2	04.0605.1057GT	HOSE R2 X 1/4" Lg. 1700 F90 - FD 9/16-18 ORFS.....	1
3		See 600 Hydraulic System, Figure 608969 - Position 5	
4		See 600 Hydraulic System, Figure 608968 - Position 5 (TP4)	
5	04.0607.0797GT	PIPE FITTING F 13/16-16 ORFS-M 9/16-18 ORFS.....	1
6	04.0607.0122GT	PIPE FITTING TMF+L 13/16-16 ORFS...2	
7	04.0607.0145GT	PIPE FITTING 3/8BSPX13/16-18 ORFS.....	4
8	04.4225.0001GT	VALVE.....	1
9	01.0031.0054GT	FLAT WASHER D6 UNI 6592 ZN.....	2
10	01.0023.0053GT	STOP NUT M6 UNI 7473 6S ZN.....	2
11	06.0442.0120GT	BONDED RING 3/8".....	3
12	04.0600.0029GT	PIPE FITTING 3/8X3/8 BSP.....	1
13	04.0600.0090GT	PIPE FITTING GMF 3/8" BSP.....	1
14	04.4224.0008GT	Manual Ball Valve.....	1
15	04.0605.1220GT	Flexible Hose R2 X 1/2 950 FD 1/2" BSP F90 13/16-16 ORFS.....	1
16		See 600 Hydraulic System, Figure 608960 - Position 14	
17	06.0442.0125GT	BONDED RING 1".....	1
18	04.0600.0190GT	PIPE FITTING GWR 1" M 1/2 F.....	1
19	04.0607.0111GT	PIPE FITTING 1/2 BSPX13/16-16 ORFS.....	1
20		See 600 Hydraulic System, Figure 608970 - Position 15	
21	04.0607.0164GT	PIPE FITTING TMF+L 11/16-16 ORFS...2 <i>From SN GTH5021R17M-165</i>	
22	04.4236.0118GT	VALVE BLOCK..... <i>From SN GTH5021R17M-165</i>	1
23	01.0001.0207GT	SCREW M8X60 UNI 5737 8.8 ZN..... <i>From SN GTH5021R17M-165</i>	2
24	01.0031.0055GT	FLAT WASHER D8 UNI 6592 ZN..... <i>From SN GTH5021R17M-165</i>	2
25	01.4032.0003GT	SPRING WASHER D8 ZN..... <i>From SN GTH5021R17M-165</i>	2
26	04.0607.0117GT	PIPE FITTING 3/8BSPX11/16-16 ORFS..... <i>From SN GTH5021R17M-165</i>	4
27	04.0506.0737GT	Flexible Hose R2 X 1/2" Lg. 2600 F90 - FD 13/16"-16 ORFS..... <i>From SN GTH5021R17M-165</i>	1

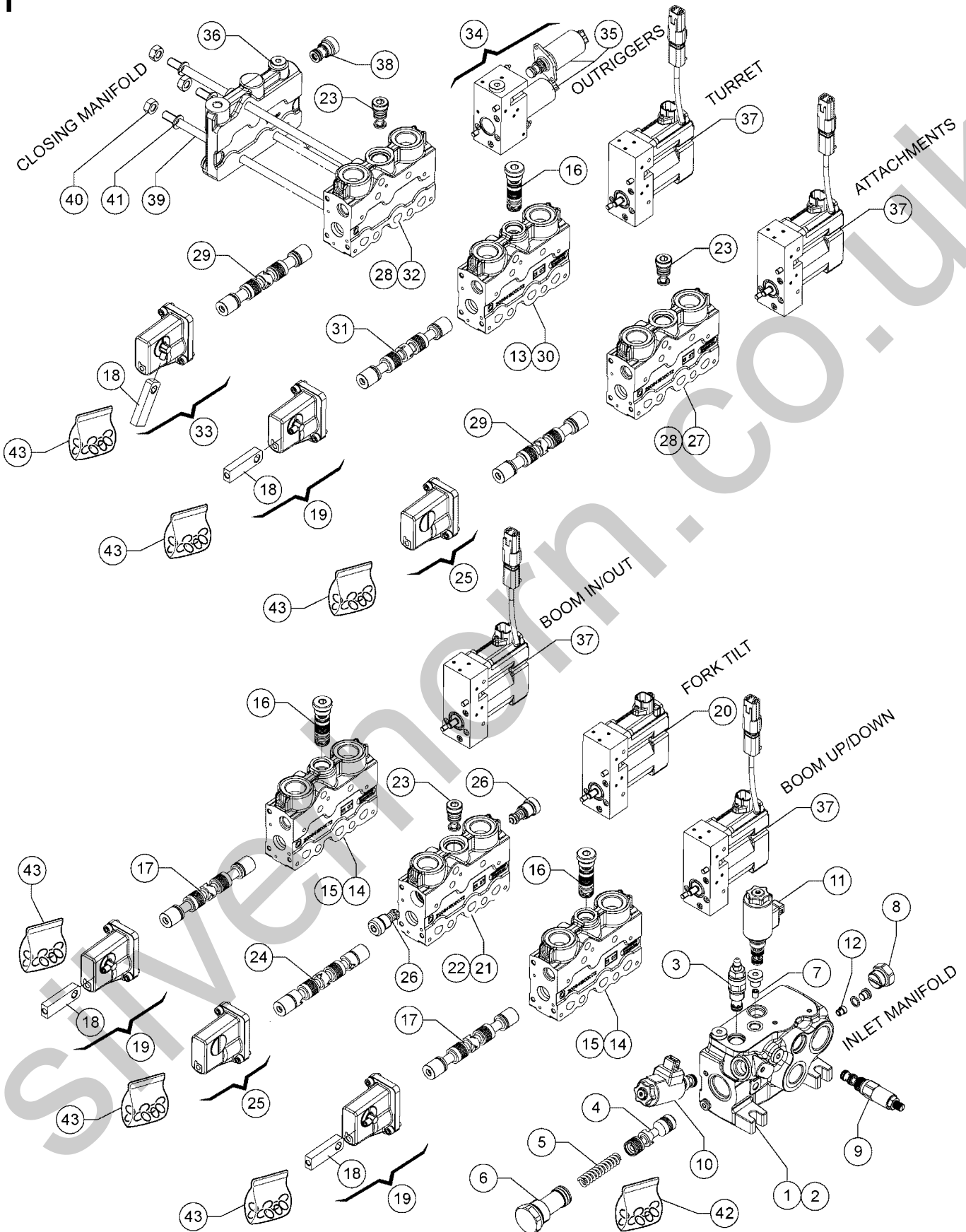
613.1 608963 Main Valve Locking And Outriggers Solenoid Valve Block



613.1 608963 Main Valve Locking And Outriggers Solenoid Valve Block

Item	Part No.	Description	Qty.
1	01.0001.1476GT	SCREW,TE,M10X45 UNI 8.8 ZN.....	3
2	01.0031.0056GT	FLAT WASHER D10 UNI 6592 ZN.....	6
3	044236.0097GT	Main Valve..... <i>To SN GTH5021R16M-140</i>	1
3	044236.0115GT	Main Valve..... <i>From SN GTH5021R16M-141</i>	1
4	01.0023.0055GT	NUT,STOP,M10 UNI 7473 6S ZN.....	3
5	044236.0084GT	OUTRIGGERS SOLENOID VALVE BLOCK.....	1
6	01.0031.0298GT	FLAT WASHER D6 UNI 6593 ZN.....	4
7	01.4032.0002GT	SPRING WASHER D6 ZN.....	4
8	01.0001.0156GT	SCREW M6X20 UNI 5739 8.8 ZN.....	4
9	07.0701.0257GT	INLET ELECTROVALVE BLOCK.....	1
10	07.0701.0259GT	Complete Solenoid Valve.....	4
11	07.0701.0255GT	SOLENOID..... <i>(If a DIN connector is needed, use Genie PN 632696GT)</i>	4
12	07.0701.0258GT	Head Elettrovalve Block.....	1
13	07.0701.0254GT	Screw M8 X 230 ZN.....	3
14	01.0031.0055GT	FLAT WASHER D8 UNI 6592 ZN.....	3
15	01.0019.0104GT	NUT M8 UNI 5588 6S ZN.....	3
16	07.0701.0256GT	Seal Kit.....	4

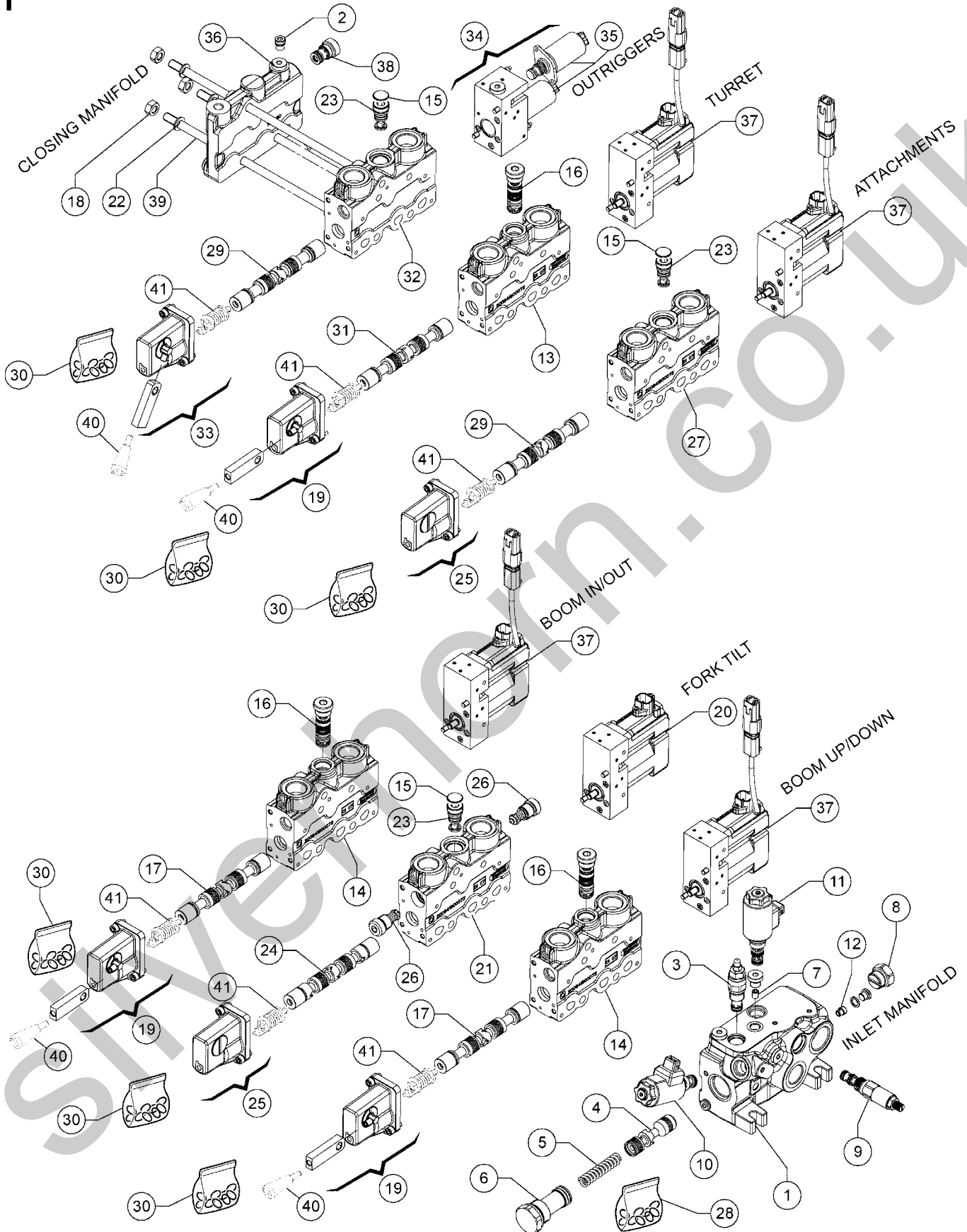
614.1 608964 Main Valve - Elements - To SN GTH5021R16M-140



614.1 608964 Main Valve - Elements - To SN GTH5021R16M-140

Item	Part No.	Description	Qty.
1	07.0741.0065GT	Complete Inlet manifold.....	1
2	07.0741.0066GT	Inlet Manifold Body.....	1
3	07.0741.0133GT	Main Relife Valve.....	1
4	07.0741.0068GT	Compesator.....	1
5	07.0741.0069GT	Compensator Spring.....	1
6	07.0741.0134GT	VALVE CAP.....	1
7	07.0741.0071GT	Dowel.....	1
8	07.0741.0072GT	Cap.....	1
9	07.0741.0135GT	Valve.....	1
10	07.0741.0074GT	Solenoid.....	1
11	07.0741.0075GT	Solenoid.....	1
12	07.0741.0136GT	Valve.....	1
13	07.0741.0236GT	Complete Section.....	1
14	07.0741.0233GT	Complete Section.....	2
15	07.0741.0137GT	Section Body.....	3
16	07.0741.0143GT	Compensator.....	3
17	07.0741.0081GT	Spool.....	2
18	07.0741.0082GT	Lever.....	4
19	07.0741.0083GT	Lever And Cover Assembly.....	3
20	07.0741.0089GT	Solenoid Valve.....	1
21	07.0741.0273GT	Complete Section.....	1
22	07.0741.0138GT	Section Body.....	1
23	07.0741.0161GT	Valve.....	3
24	07.0741.0088GT	SPOOL.....	4
25	07.0741.0090GT	Lever And Cover Assembly.....	2
26	07.0741.0091GT	Max. relife Valve.....	2
27	07.0741.0235GT	Complete Section.....	1
28	07.0741.0139GT	Section Body.....	2
29	07.0741.0103GT	Spool.....	2
30	07.0741.0142GT	MAIN VALVE SECTION.....	1
31	07.0741.0144GT	Spool.....	1
32	07.0741.0113GT	Complete Section.....	1
33	07.0741.0118GT	Lever And Cover Assembly.....	1
34	07.0741.0119GT	VALVE ASSEMBLY.....	1
35	07.0741.0120GT	VALVE.....	2
36	07.0741.0274GT	MAIN VALVE COVER.....	1
37	07.0741.0282GT	Solenoid Valve.....	4
38	07.0741.0145GT	VALVE.....	1
39	07.0741.0124GT	THREADED ROD.....	3
40	07.0741.0168GT	NUT M10.....	3
41	07.0741.0167GT	WASHER D10.....	3
42	07.0741.0127GT	O-Ring kit.....	1
43	07.0741.0128GT	O-Ring kit.....	6

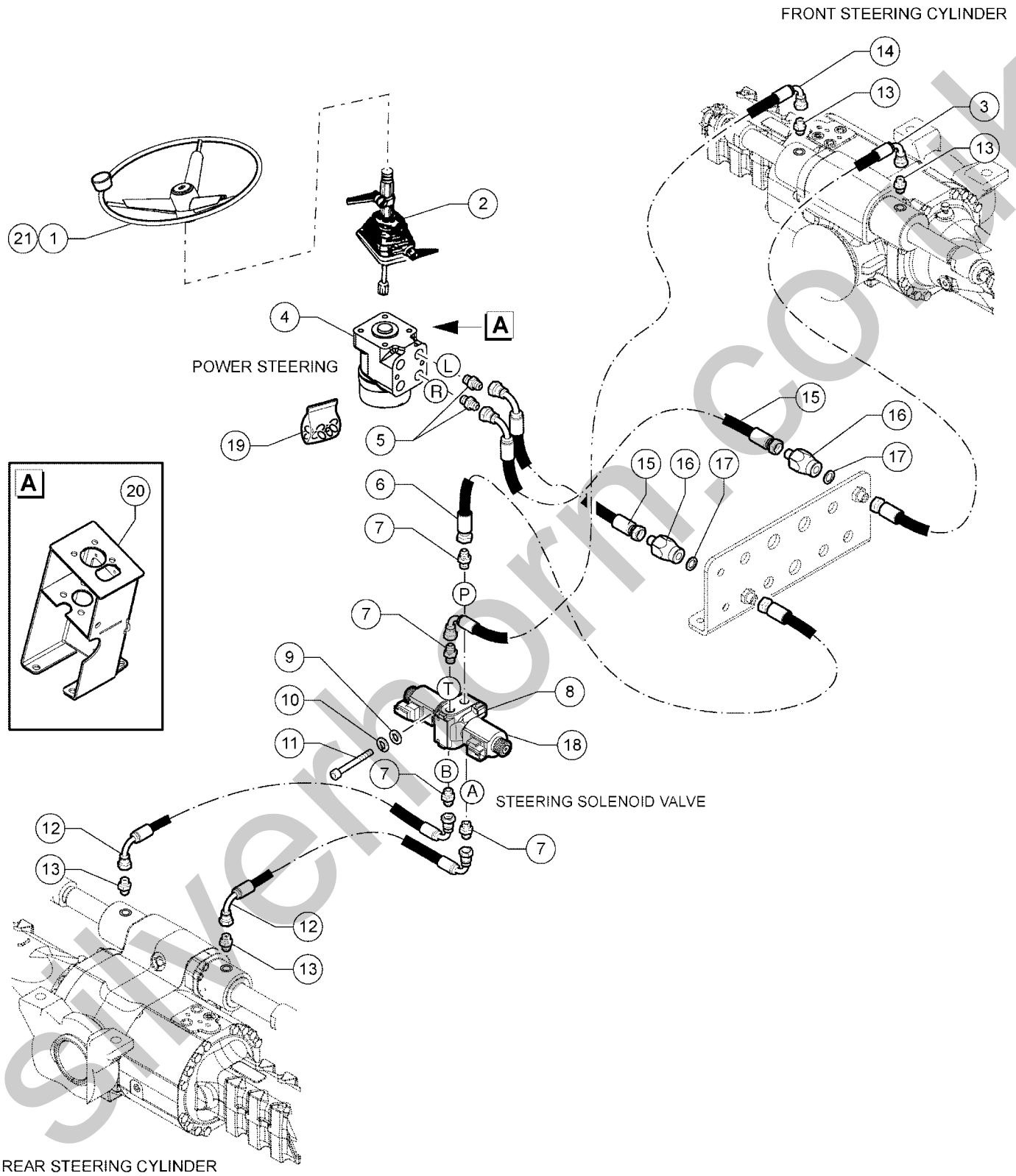
614.2 609016 Main Valve - Elements - From SN GTH5021R16M-141



614.2 609016 Main Valve - Elements - From SN GTH5021R16M-141

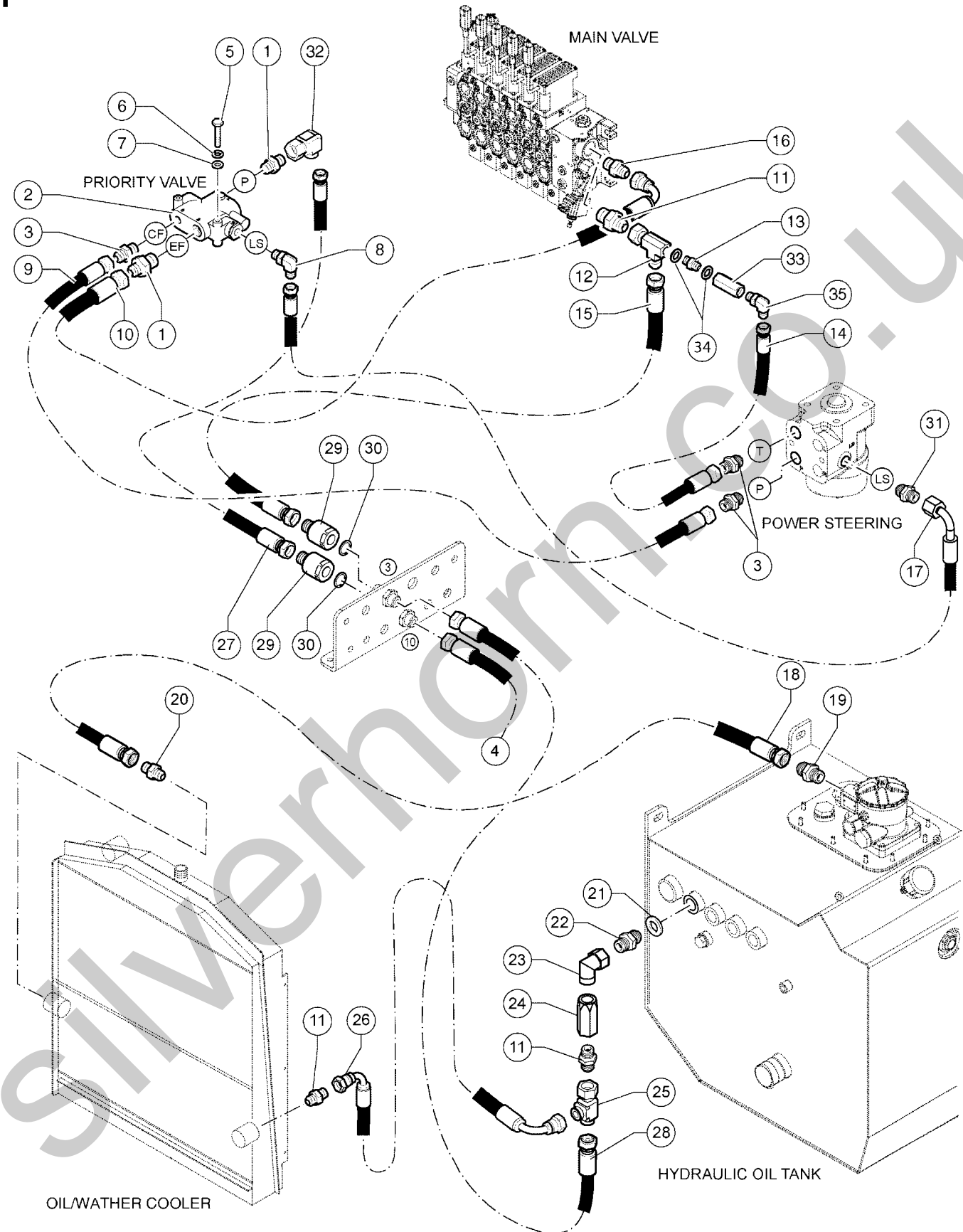
Item	Part No.	Description	Qty.
1	07.0741.0065GT	Complete Inlet manifold.....	1
2	07.0741.0306GT	PLUG.....	1
3	07.0741.0149GT	Valve.....	1
4	07.0741.0068GT	Compesator.....	1
5	07.0741.0069GT	Compensator Spring.....	1
6	07.0741.0134GT	VALVE CAP.....	1
7	07.0741.0071GT	Dowel.....	1
8	07.0741.0072GT	Cap.....	1
9	07.0741.0152GT	Valve.....	1
10	07.0741.0074GT	Solenoid.....	1
11	07.0741.0075GT	Solenoid.....	1
12	07.0741.0136GT	Valve.....	1
13	07.0741.0303GT	COMPLETE ELEMENT.....	1
14	07.0741.0305GT	COMPLETE ELEMENT.....	2
15	07.0741.0308GT	PLUG.....	3
16	07.0741.0182GT	Valve.....	3
17	07.0741.0081GT	Spool.....	2
18	07.0741.0168GT	NUT M10.....	3
19	07.0741.0185GT	Cap.....	3
20	07.0741.0089GT	Solenoid Valve.....	1
21	07.0741.0273GT	Complete Section.....	1
22	07.0741.0167GT	WASHER D10.....	3
23	07.0741.0161GT	Valve.....	3
24	07.0741.0088GT	SPOOL.....	4
25	07.0741.0090GT	Lever And Cover Assembly.....	2
26	07.0741.0091GT	Max. relife Valve.....	2
27	07.0741.0304GT	COMPLETE ELEMENT.....	1
28	07.0741.0127GT	O-Ring kit.....	1
29	07.0741.0103GT	Spool.....	2
30	07.0741.0301GT	GASKET KIT.....	6
31	07.0741.0144GT	Spool.....	1
32	07.0741.0113GT	Complete Section.....	1
33	07.0741.0118GT	Lever And Cover Assembly.....	1
34	07.0741.0309GT	POSITIONER.....	1
35	07.0741.0120GT	VALVE.....	2
36	07.0741.0274GT	MAIN VALVE COVER.....	1
37	07.0741.0297GT	POSITIONER.....	4
38	07.0741.0165GT	Valve.....	1
39	07.0741.0124GT	THREADED ROD.....	3
40	07.0741.0302GT	LEVER STICK.....	4
41	07.0741.0298GT	TERMINAL CURSOR.....	6

615.1 608965 Power Steering



Item	Part No.	Description	Qty.
1	09.4636.0019GT	Steering Wheel.....	1
2	07.0740.0136GT	STEERING COLUMN.....	1
3	04.0605.1396GT	Flexible Hose R1 X 3/8 1300 FD BSP F90 11/16"-16 ORFS.....	1
4	09.4636.0022GT	POWER STEERING.....	1
5	04.0607.0110GT	PIPE FITTING 1/2BSP x 11/16-16 ORFS.....	2
6	04.0605.1459GT	Flexible Hose R2 X 3/8 2200 F90 BSP FD 11/16 ORFS.....	1
7	04.0607.0117GT	PIPE FITTING 3/8BSPX11/16-16 ORFS.....	4
8	04.4240.0052GT	SOLENOID VALVE.....	1
9	01.0031.0054GT	FLAT WASHER D6 UNI 6592 ZN.....	2
10	01.4032.0002GT	SPRING WASHER D6 ZN.....	2
11	01.0003.0158GT	SCREW,TCEI,M6X30 UNI 8.8 ZN.....	2
12	04.0605.0433GT	Flexible Hose R2 X 3/8 LG. 1100 F90 F90 A90° 11/16-16 ORFS.....	2
13	04.0607.0231GT	PIPE FITTING 9/16-18 X 11/16-16 ORFS.....	4
14	04.0605.1276GT	Flexible Hose R2 X 3/8 3200 F90 FD 11/16"-16 ORFS.....	1
15	04.0605.0311GT	HOSE R2X3/8 LG 1700 FD-F90 11/16-16 ORFS.....	2
16	04.0600.0233GT	Rotating Joint F3/8" BSP X M3/8" BSP MBGGD38.....	2
17	06.0442.0120GT	BONDED RING 3/8".....	2
18	07.0705.0102GT	Solenoid.....	2
19	07.0706.0043GT	Seal Kit.....	1
20	51.0811.4677GT	Power Steering Support.....	1
21	09.0803.0863GT	STEERING WHEEL COVER.....	1

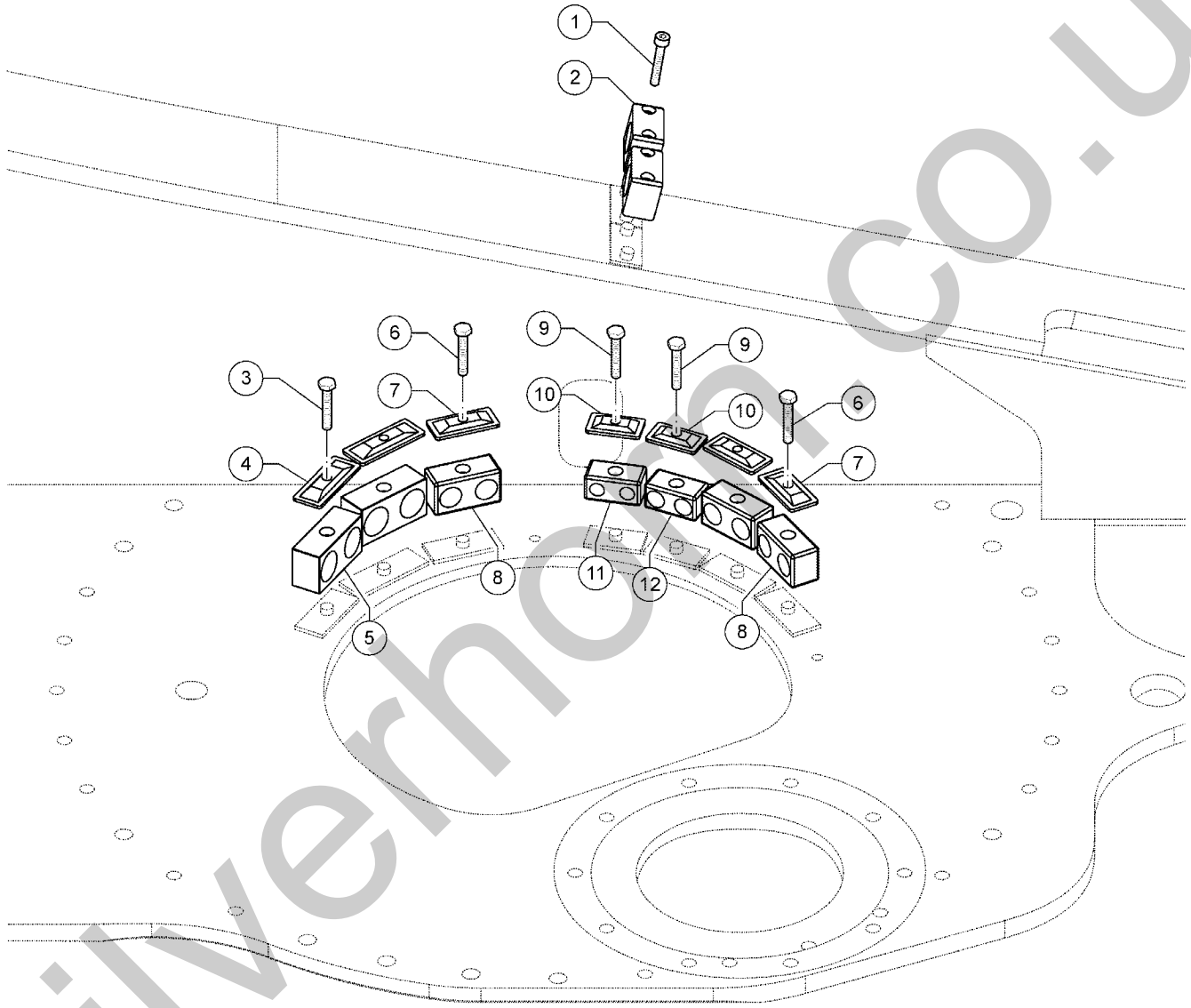
616.1 608966 Hydraulic Oil Cooler



616.1 608966 Hydraulic Oil Cooler

Item	Part No.	Description	Qty.	Item	Part No.	Description	Qty.
1	04.0607.0130GT	PIPE FITTING 1 BSPX1-3/16-12 ORFS.....	2	28	04.0605.1394GT	Flexible Hose R1 X 3/4 1700 FD BSP F90 1 3/16"-12 ORFS.....	1
2	09.4636.0011GT	Priority Valve LPS 160 R11/LD 10-14 3/01.....	1	29	04.0600.0235GT	Rotating Joint F3/4" BSP X M 3/4" BSP MBGGD34.....	2
3	04.0607.0111GT	PIPE FITTING 1/2 BSPX13/16-16 ORFS.....	3	30	04.0442.0124GT	Bonded Ring 3/4".....	2
4		See 600 Hydraulic System, Figure 608969 - Position 16		31	04.0607.0113GT	PIPE FITTING 1/4 BSPX9/16-18 ORFS.....	1
5	01.0001.0211GT	SCREW M8X80 UNI 5737 8.8 ZN.....	2	32	04.0607.0864GT	Pipe Fitting 90° M-F 1"3/16"-12 ORFS....	1
6	01.4032.0003GT	SPRING WASHER D8 ZN.....	2	33	04.4240.0015GT	VALVE.....	1
7	01.0031.0055GT	FLAT WASHER D8 UNI 6592 ZN.....	2	34	06.0442.0120GT	BONDED RING 3/8".....	2
8	04.0607.0112GT	PIPE FITTING M-M A 90 1/4 BSPX9/16-18 ORFS.....	1	35	04.0607.0847GT	Pipe Fitting 90° M3/8 X M13/16"-16 ORFS.....	1
9	04.0605.1371GT	Flexible Hose R2 X 1/2 LG. 2400 FD -FD 13/16-16 ORFS.....	1				
10	04.0605.1550GT	Flexible Hose R2 X 3/4 550 F90 F45 1 3/16"-12 A 90°.....	1				
11	04.0607.0130GT	PIPE FITTING 1 BSPX1-3/16-12 ORFS.....	3				
12	04.0607.0211GT	Pipe Fitting TMF+L 1 3/16"-12 F 3/8" BSP.....	1				
13	04.0607.0145GT	PIPE FITTING 3/8BSPX13/16-18 ORFS.....	1				
14	04.0605.1616GT	FLEXIBLE HOSE R1 X 1/2 2000 FD FD 13/16"-16..... <i>For The Firts Replacemete Buy p.n.33, 34, 35</i>	1				
15	04.0605.1464GT	Flexible Hose R4 X 3/4 2300 FD BSP FD 1"3/16 ORFS.....	1				
16	04.0607.0107GT	PIPE FITTING 3/4BSP X1"3/16-12 ORFS.....	1				
17	04.0605.0766GT	Flexible Hose R2 X 1/4 LG. 2600 FD - F90 9/16"-18 ORFS.....	1				
18	04.0605.0878GT	Flexible Hose R4 X 1-1/4" Lg. 1500 FD - FD 1"11/16-12 ORFS.....	1				
19	04.0607.0190GT	Pipe Fitting 1"1/4BSP-1"11/16-12ORFS.....	1				
20	04.0607.0142GT	PIPE FITTING 1" GASX1-7/16-12 ORFS.....	1				
21	06.0442.0125GT	BONDED RING 1".....	1				
22	04.0600.0066GT	PIPE FITTING 1X1 BSP.....	1				
23	04.0600.0113GT	Pipe Fitting 90° BSP.....	1				
24	04.4239.0077GT	SAFETY VALVE.....	1				
25	04.0607.0120GT	Pipe Fitting TMF+L 1" 3/16-12 ORFS....	1				
26	04.0605.0879GT	Flexible Hose R1 X 3/4" Lg. 3200 F90 - F90 1"3/16-12 ORFS 180°.....	1				
27	04.0605.1558GT	Flexible Hose R2 (380 BAR) X 3/4 LG.2800 FD 3/4 BSP FD 1"3/16..... <i>For The Firts Replacemete Buy p.n. 32</i>	1				

617.1 608967 Slewing Upper Structure Hoses Locking System

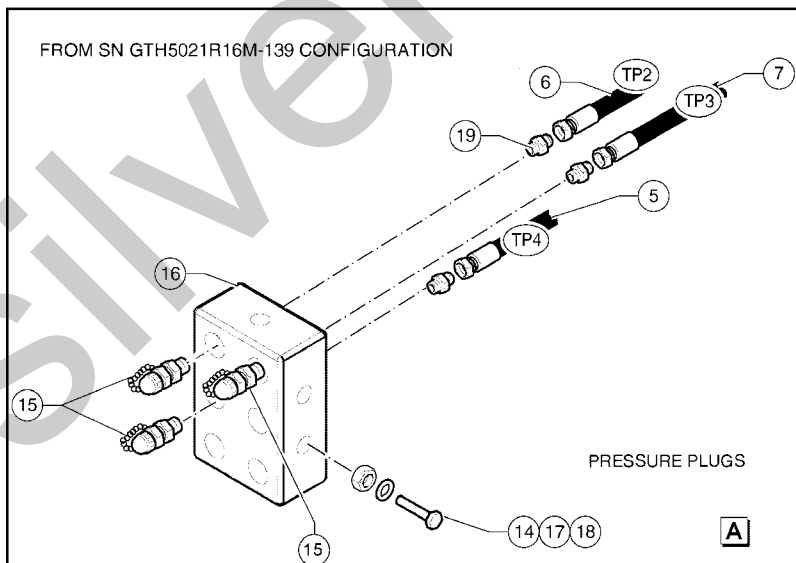
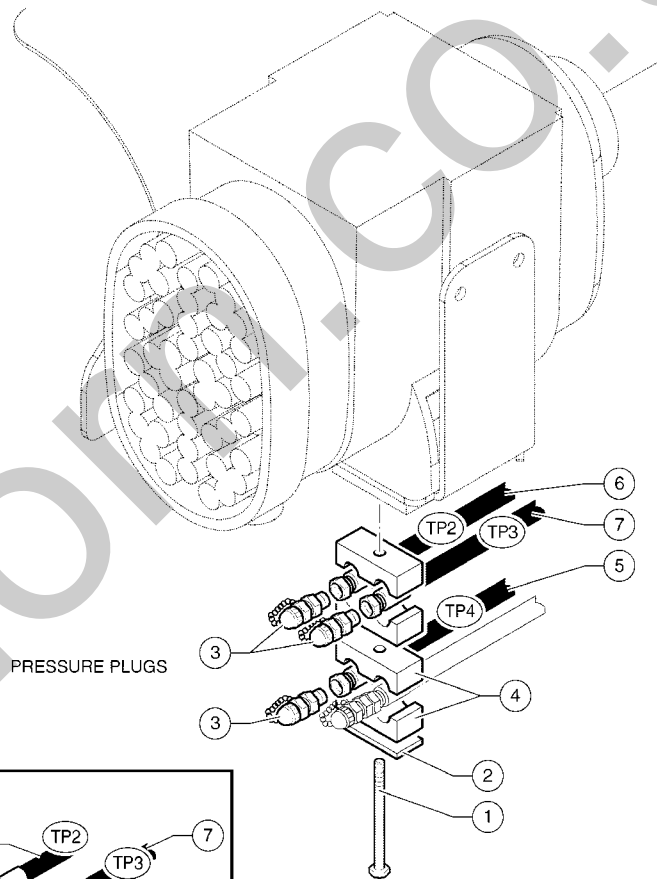
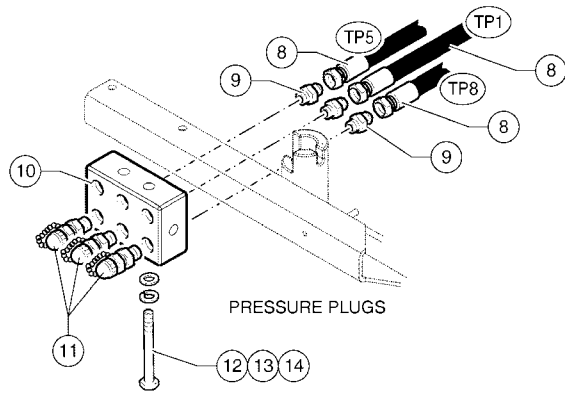


Silverhawk.CO.UK

617.1 608967 Slewing Upper Structure Hoses Locking System

Item	Part No.	Description	Qty.
1	01.0003.0159GT	SCREW M6X35 UNI 5931 8.8 ZN.....	4
2	09.0803.0042GT	Hose Lock Bracket.....	2
3	01.0001.0207GT	SCREW M8X60 UNI 5737 8.8 ZN.....	2
4	09.0803.0527GT	DOUBLE HOSE LOCKING PLATE D30.....	2
5	09.0803.0526GT	DOUBLE HOSE LOCKING PLATE D30.....	2
6	01.0001.0206GT	SCREW M8X55 UNI 5737 8.8 ZN.....	3
7	09.0803.0525GT	DOUBLE HOSE LOCKING PLATE D22.....	3
8	09.0803.0524GT	DOUBLE HOSE CLAMP D22.....	3
9	01.0001.0260GT	SCREW M8X45 UNI 5739 8.8 ZN	2
10	09.0803.0523GT	DOUBLE HOSE LOCKING PLATE D18.....	2
11	09.0803.0045GT	DOUBLE HOSE BRACKET D14.....	1
12	09.0803.0522GT	DOUBLE HOSE CLAMP D18.....	1

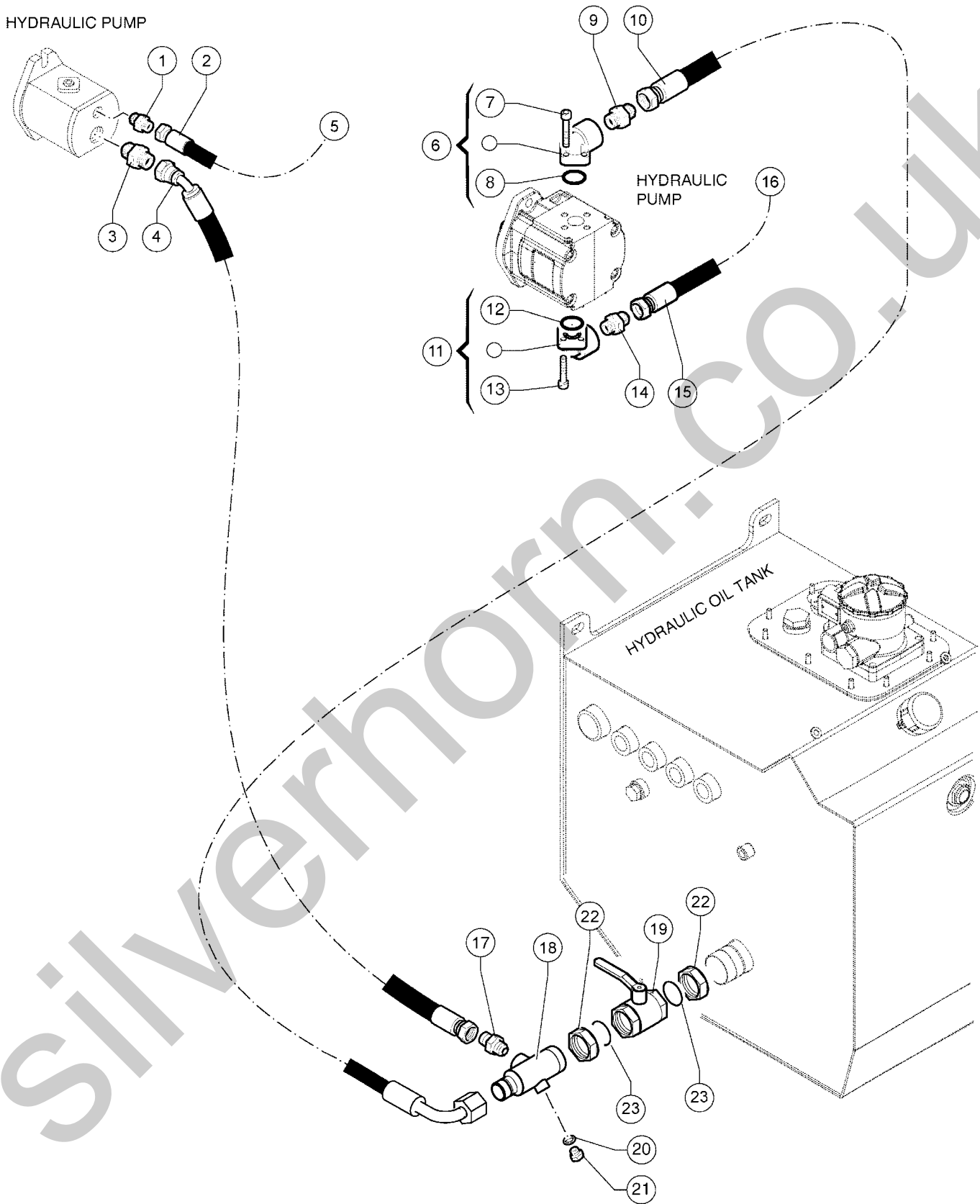
618.1 608968 Pressure Plugs



Item	Part No.	Description	Qty.
1	01.0001.0209GT	SCREW M8X70 UNI 5737 8.8 ZN.....1	1
2	09.0803.0523GT	DOUBLE HOSE LOCKING PLATE D18.....1	1
3	04.4210.0004GT	TEST PORT M1/4 BSP.....3	3
4	09.0803.0522GT	DOUBLE HOSE CLAMP D18.....4	4
5		See 600 Hydraulic System, TP4 Figure 608962 - Position 4	
6		See 600 Hydraulic System, TP2 Figure 608970 - Position 12	
7		See 600 Hydraulic System, TP3 Figure 608970 - Position 21	
8	04.0605.0113GT	HOSE R2X1/4 LG 405 FD-F90 9/16-18 ORFS.....3	3
9	04.0607.0153GT	PIPE FITTING 14X1.5X9/16-18 ORFS...3	3
10	53.3001.6813GT	TEST PORTS MANIFOLD.....1	1
11	04.4210.0005GT	TEST PORT MCS M14X1,5.....3	3
12	01.4032.0003GT	SPRING WASHER D8 ZN.....2	2
13	01.0031.0055GT	FLAT WASHER D8 UNI 6592 ZN.....2	2
14	01.4001.0185GT	SCREW M8X75 UNI 5737 8.8 ZN.....2	2
15	04.4210.0005GT	TEST PORT MCS M14X1,5.....3	3
16	53.3001.6813GT	TEST PORTS MANIFOLD.....1	1
17	01.0031.0055GT	FLAT WASHER D8 UNI 6592 ZN.....2	2
18	01.0023.0054GT	NUT,M8 UNI 7473 6S ZN.....2	2
19	04.0607.0153GT	PIPE FITTING 14X1.5X9/16-18 ORFS...3	3

619.1 608969 Suction System Hydraulic Pumps

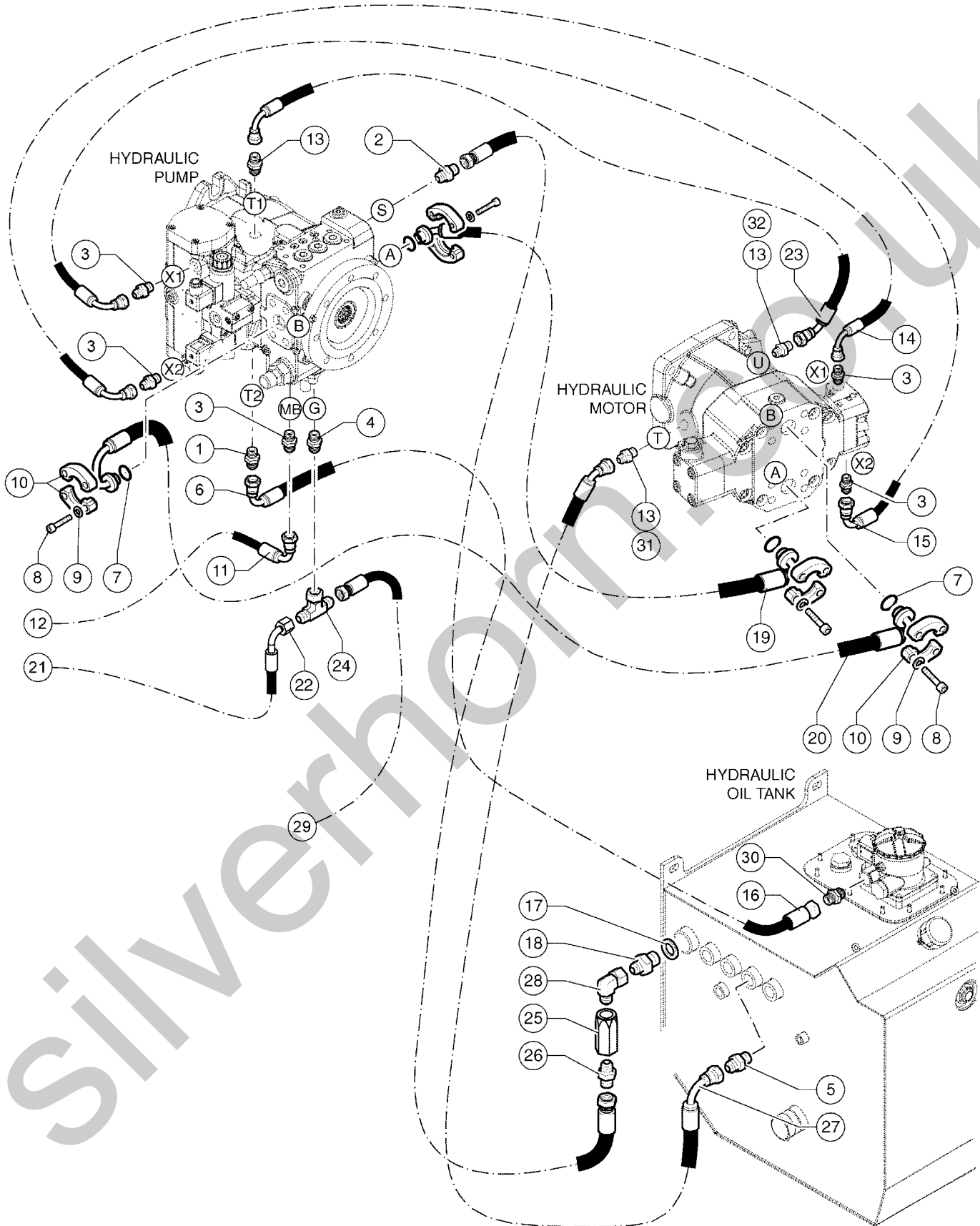
HYDRAULIC PUMP



619.1 608969 Suction System Hydraulic Pumps

Item	Part No.	Description	Qty.
1	04.0607.0121GT	PIPE FITTING 3/4 BSPX13/16-16 ORFS.....	1
2	04.0605.0871GT	Flexible Hose R2 X 1/2" Lg. 2300 FD - F45 13/16"-16 ORFS.....	1
3	04.0607.0196GT	PIPE FITTING 3/4"BSP/1"7/16-12 ORFS.....	1
4	04.4229.0089GT	Flexible Hose R4 X 1 3/100 F45 FD 1" 7/16 ORFS.....	1
5		See 600 Hydraulic System, Figure 608962 - Position 3	
6	04.4223.0000GT	PIPE FITTING G3 1.....	1
7	01.0003.0255GT	SCREW M10X25 UNI 5931 8.8 ZN.....	3
8	627521GT	JOINT (SEAL).....	1
9	04.0607.0174GT	PIPE FITTING 1"BSPX1"11/16-12 ORFS.....	1
10	04.4229.0078GT	Flexible Hose R4 X 1-1/4 1900 FD F90 1" 11/16-12 ORFS.....	1
11	04.4223.0001GT	PIPE FITTING G2 34.....	1
12	07.4529.0075GT	Seal.....	1
13	01.0003.0205GT	SCREW M8X25 UNI 5931 8.8 ZN.....	3
14	04.0607.0107GT	PIPE FITTING 3/4BSP X1"3/16-12 ORFS.....	1
15	04.0605.1393GT	HOSE 2X3/4 LG 1050 F90 BSP FD 13/16-12 ORFS.....	1
16		See 600 Hydraulic System, Figure 608966 - Position 4	
17	04.0607.0142GT	PIPE FITTING 1" GASX1-7/16-12 ORFS.....	1
18	53.3001.6705GT	Manifold.....	1
19	04.4224.0001GT	BALL VALVE.....	1
20	06.0442.0122GT	BONDED RING 1/2".....	1
21	04.0220.0055GT	PLUG 1/2 BSP.....	1
22	01.4019.0020GT	NUT 2" DIN 431,6S ZN.....	2
23	06.0442.0132GT	BONDED RING 2".....	2

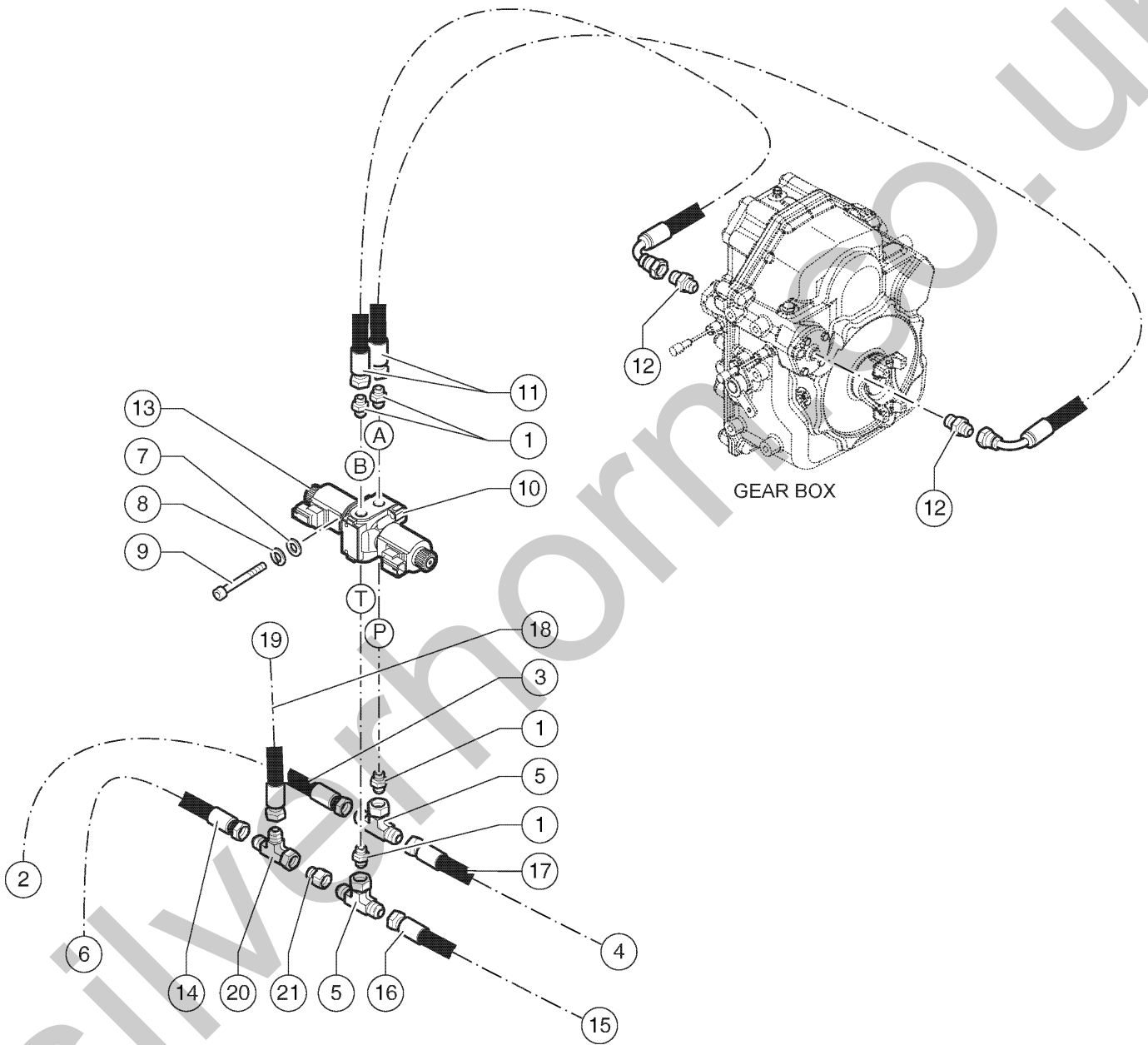
620.1 608970 Hydraulic Transmission



620.1 608970 Hydraulic Transmission

Item	Part No.	Description	Qty.	Item	Part No.	Description	Qty.
1	04.0607.0183GT	Pipe Fitting M26X1,5X 1"7/16-12 ORFS.....	1	30	04.0607.0174GT	PIPE FITTING 1"BSPX1"11/16-12 ORFS.....	1
2	04.0607.0188GT	PIPE FITTING M42X2X1"11/16-12 ORFS.....	1	31	04.0607.0842GT	PIPE FITTING M27x2 ISO 6149-2 X M 1 3/16"-12 ORFS.....	1
3	04.0607.0103GT	PIPE FITTING M12X1.5 X 9/16-18 ORFS.....	5			<i>From SN GTH5021R17M-177</i>	
4	04.0607.0855GT	PIPE FITTING M18X1,5 M 9/16-18 ORFS.....	1	32	04.0607.0865GT	PIPE FITTING M22x1,5 ISO 6149-2 X M 1 3/16"-12 ORFS.....	1
5	04.0607.0130GT	PIPE FITTING 1 BSPX1-3/16-12 ORFS.....	1			<i>From SN GTH5021R17M-177</i>	
6	04.0605.1210GT	Flexible Hose R4 X 1 2200 F90 FD 1" 7/16-12 ORFS.....	1				
7	06.0401.0219GT	O-RING.....	4				
8	01.0001.0401GT	SCREW M12X40 UNI 5737 8.8 ZN.....	16				
9	01.4032.0005GT	SPRING WASHER D12 ZN.....	16				
10	04.4223.0003GT	HALF FLANGE D47.....	8				
11	04.0605.1348GT	Flexible Hose R2 X 1/4" 450 Bar Lg. 800 FD - F90 9/16"-18 ORFS.....	1				
12		See 600 Hydraulic System, Figure 608968 - Position 6 (TP2)					
13	04.0607.0217GT	PIPE FITTING M18X1,5X1"3/16-12 ORFS.....	2				
14	04.0605.0108GT	HOSE R1X1/4 LG 1700 F90-F90 9/16-18 ORFS a 270°.....	1				
15	04.0605.1225GT	Flexible Hose R1 X 1/4 1700 F90 F90 9/16"-18 90°.....	1				
16	04.4229.0079GT	Flexible Hose R4 X 1-1/4 2600 FD FD 1" 11/16-12 ORFS.....	1				
17	06.0442.0126GT	BONDED RING 1"1/4.....	1				
18	04.0600.0062GT	PIPE FITTING 1X 1 1/4 BSP.....	1				
19	04.4229.0065GT	HOSE BM6K 1" LG 800 FL90°D.47 - FLD D.47.....	1				
20	04.4229.0072GT	Flexible Hose BM6K 1 1000 FL90 D.47FL180 D.47.....	1				
21		See 600 Hydraulic System, Figure 608968 - Position 7 (TP3)					
22	04.0605.0556GT	HOSE R1X1/4 LG 800 FD F90 9/16-18 ORFS.....	1				
23	04.0605.1372GT	Flexible Hose R1 X 3/4 850 F45 F90 1 3/16"-12.....	1				
24	04.0607.0131GT	PIPE FITTING TMF+C 9/16-18 ORFS.....	1				
25	04.4239.0034GT	SAFETY VALVE.....	1				
26	04.0607.0142GT	PIPE FITTING 1" GASX1-7/16-12 ORFS.....	1				
27	04.0605.1456GT	Flexible Hose R1 X 3/4" LG. 1100 F90° - F45 1"3/16-12 ORFS.....	1				
28	04.0600.0113GT	Pipe Fitting 90° BSP.....	1				
29		See 600 Hydraulic System, Figure 608971 - Position 4					

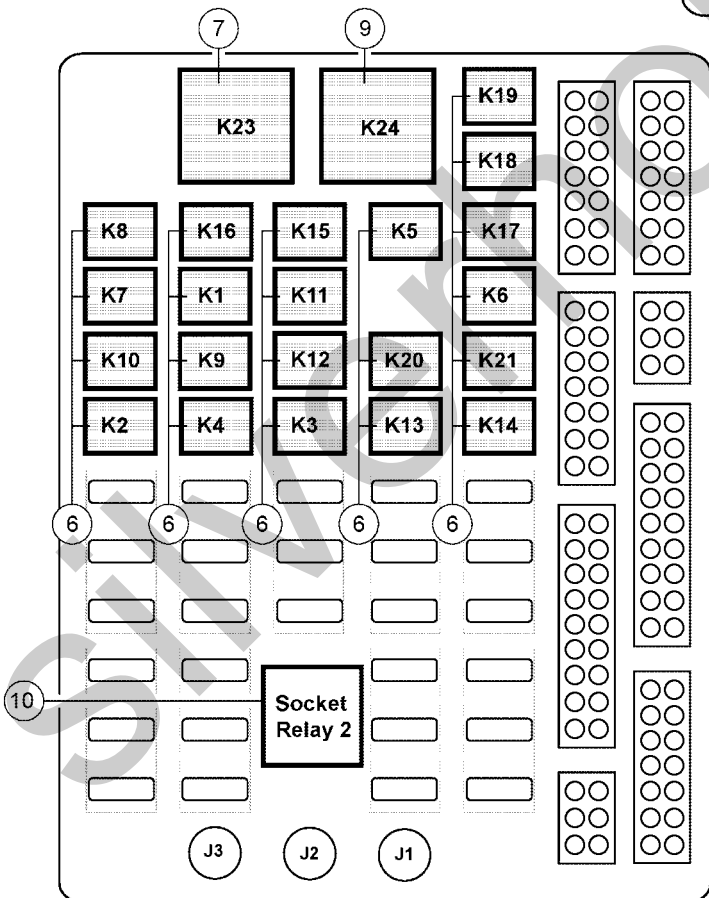
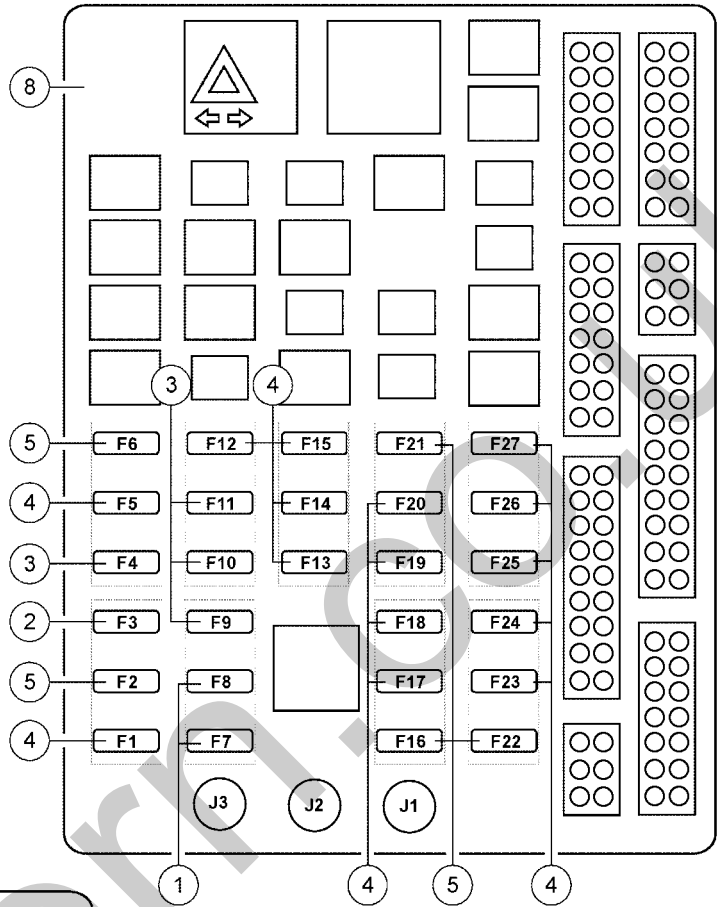
621.1 608971 Shift Gear Solenoid Valve



621.1 608971 Shift Gear Solenoid Valve

Item	Part No.	Description	Qty.
1	04.0607.0114GT	PIPE FITTING 3/8 BSPX9/16-18 ORFS.....	3
2		See 600 Hydraulic System, Figure 608961 - Position 1	
3	04.0605.1141GT	Flexible Hose R2 X 1/4 1100 FD FD 9/16-18.....	1
4		See 600 Hydraulic System, Figure 608970 - Position 29	
5	04.0607.0131GT	PIPE FITTING TMF+C 9/16-18 ORFS.....	2
6		See 600 Hydraulic System, Figure 608961 - Position 30	
7	01.0031.0054GT	FLAT WASHER D6 UNI 6592 ZN.....	2
8	01.4032.0002GT	SPRING WASHER D6 ZN.....	2
9	01.0003.0158GT	SCREW, TCEI, M6X30 UNI 8.8 ZN.....	2
10	04.4240.0053GT	SOLENOID VALVE.....	1
11	04.0605.0179GT	HOSE R1X1/4 LG 700 FD-F90 9/16-18 ORFS.....	2
12	04.0607.0225GT	PIPE FITTING 9/16-18 UNF X 9/16-18 ORFS.....	2
13	07.0701.0255GT	SOLENOID..... <i>(If a DIN connector is needed, use Genie PN 632696GT)</i>	2
14	04.0605.0231GT	Flexible Hose R1 X 1/4" Lg. 1400 F90 - F90 9/16"-18 ORFS.....	1
15		See 600 Hydraulic System, Figure 608962 - Position 20	
16	04.0605.1692GT	HOSE R1 X 3/8 2300 SF 11/16"-16 F90 13/16"-16 ORFS.....	1
17	04.0605.0530GT	Flexible Hose R1 X 1/4 700 FD-FD 9/16-18 ORFS.....	1
18	04.0605.0269GT	Flexible Hose R1 X 1/4" Lg. 900 F90 - F90 9/16"-18 ORFS a 90°.....	1
19		See 600 Hydraulic System, Figure 608961 - Position 42	
20	04.0607.0115GT	PIPE FITTING TMF+L 9/16-18 ORFS.....	1
21	04.0607.0798GT	PIPE FITTING GWR F 11/16-16 ORFS - M 9/16-18 ORFS.....	1

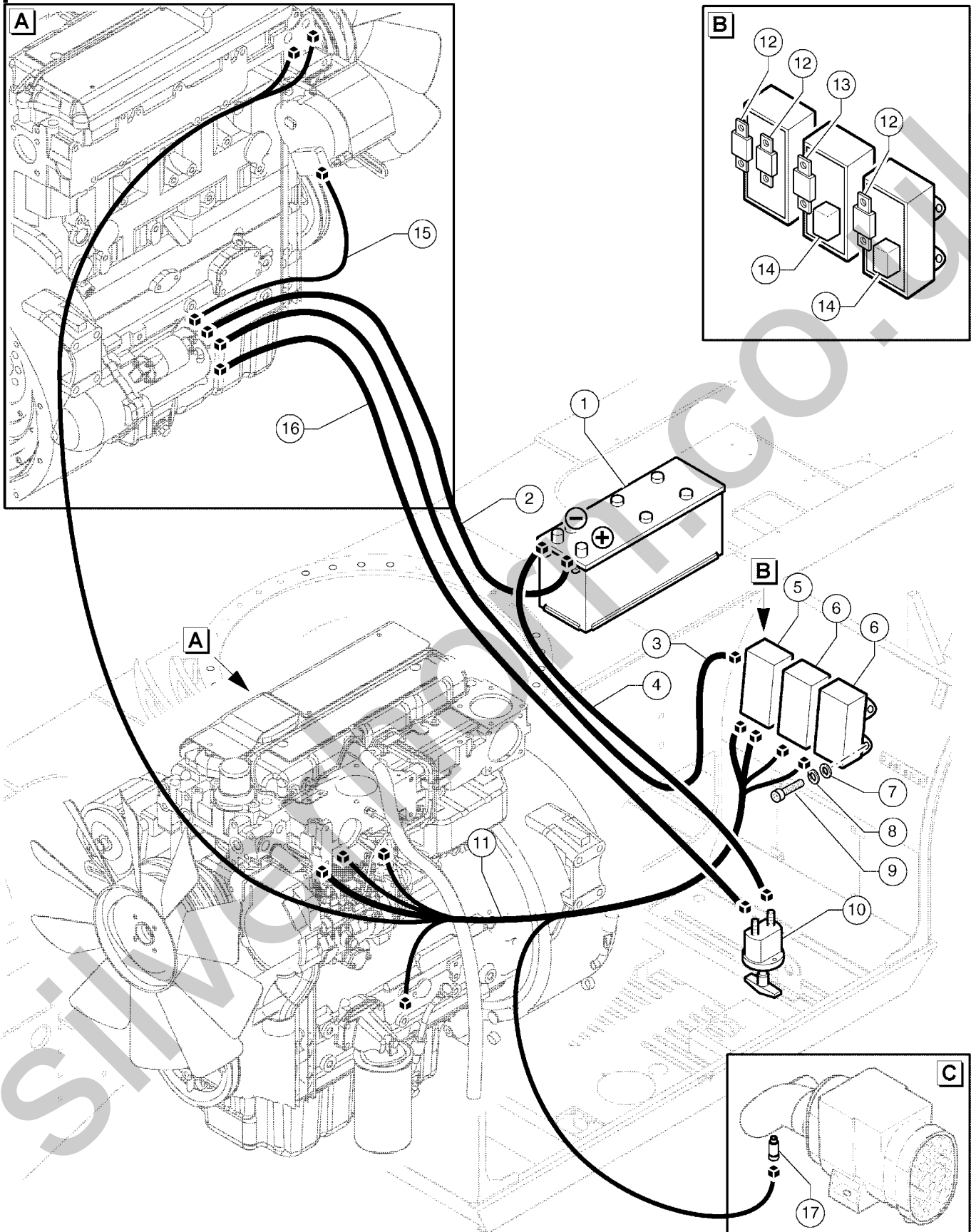
701.1 608975 Cabin Fuse - Relay Box



701.1 608975 Cabin Fuse - Relay Box

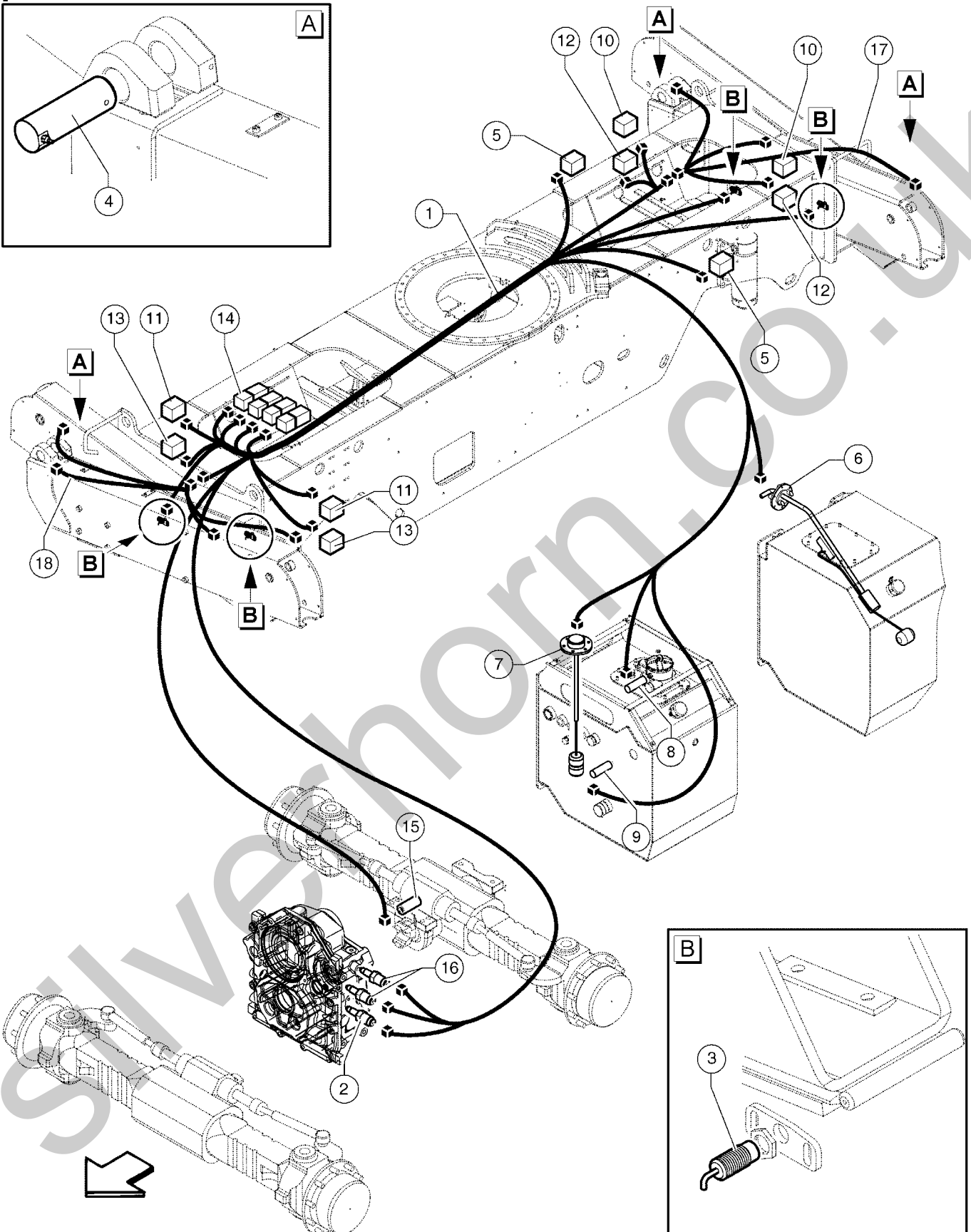
Item	Part No.	Description	Qty.
1	637650GT	Fuse 3A.....	2
2	07.0703.0193GT	Fuse 5A.....	1
3	634972GT	Fuse 7.5A.....	4
4	634974GT	Fuse 10A.....	15
5	634973GT	Fuse 15A.....	5
6	07.0703.0485GT	RELAY.....	21
7	07.0703.0724GT	BLINKER RELAY.....	1
8	56.0021.0117GT	FUSE-RELAY BOARD.....	1
9	56.0021.0040GT	Gear Box Unit.....	1
10	07.0703.0486GT	RELAY.....	1

702.1 608976 Engine Line



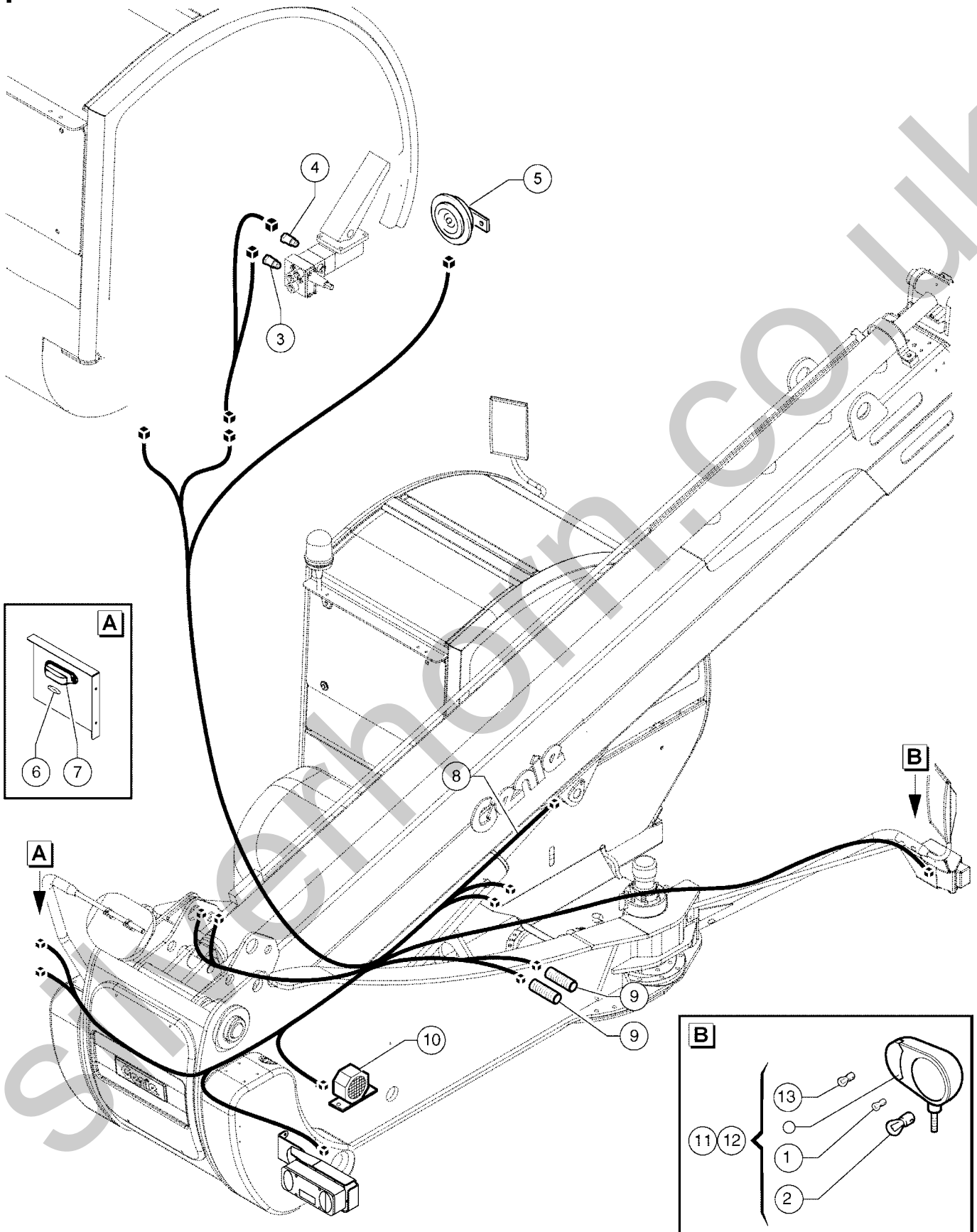
Item	Part No.	Description	Qty.
1	30143GT	BATTERY,12V,1000 CCA GRP 31.....	1
2	55.0602.0820GT	Positive Battery Cable.....	1
3	55.0602.0533GT	Negative Battery Cable.....	1
4	55.0602.0535GT	Power Box Cable.....	1
5	56.0006.9208GT	Power Box Body.....	1
6	56.0006.9207GT	Power Box Body.....	2
7	01.0031.0054GT	FLAT WASHER D6 UNI 6592 ZN.....	2
8	01.4032.0002GT	SPRING WASHER D6 ZN.....	2
9	01.0003.0155GT	SCREW M6X20 UNI 5931 8.8 ZN.....	2
10	56.0008.0001GT	BATTERY CUT-OUT SWITCH.....	1
11	55.0602.0817GT	Engine Line.....	1
12	56.0005.0018GT	Fuse 30A.....	3
13	56.0005.0019GT	Fuse 50A.....	1
14	07.0703.0192GT	RELAY.....	2
15	55.0602.0534GT	Alternator Line.....	1
16	55.0602.0819GT	HARNES,BATTERY CUT-OUT SWITCH,POSITIVE.....	1
17	09.4604.0045GT	SENSOR.....	1

703.1 608977 Base Frame Line



Item	Part No.	Description	Qty.
1	55.0602.1034GT	CHASSIS ELECTRIC LINE.....	1
2	07.0711.0478GT	SENSOR.....	1
3	56.0012.0066GT	CODIFIED PROXIMITY SENSOR INTERFACE.....	4
4	09.0802.0042GT	Pin Load Cell.....	4
5	04.4240.0041GT	SOLENOID.....	2
6	56.0012.0056GT	INDICATOR, FUEL LEVEL.....	1
7	56.0013.0039GT	LEVEL INDICATOR, HYDRAULIC OIL....	1
8	56.0013.0006GT	PRESSURE SENSOR, HYDRAULIC OIL.....	1
9	56.0013.0000GT	TEMPERATURE SENSOR, HYDRAULIC OIL.....	1
10		See 600 Hydraulic System, Figure 608957 - Position 26.....	2
11		See 600 Hydraulic System, Figure 608955 - Position 30.....	2
12		See 600 Hydraulic System, Figure 608957 - Position 27.....	2
13		See 600 Hydraulic System, Figure 608955 - Position 31.....	2
14	04.4236.0084GT	OUTRIGGERS SOLENOID VALVE BLOCK.....	1
15	07.0711.0299GT	Sensor.....	1
16	07.0711.0381GT	Switch.....	2
17	55.0602.1036GT	REAR OUTRIGGER LINE.....	1
18	55.0602.1035GT	FRONT OUTRIGGER LINE.....	1

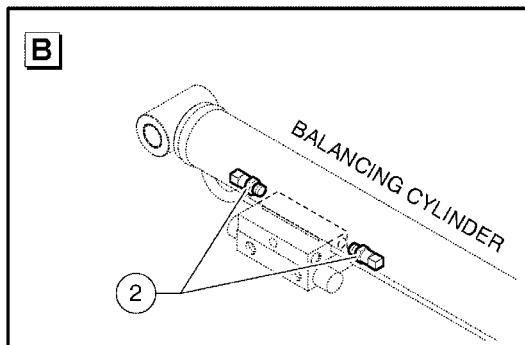
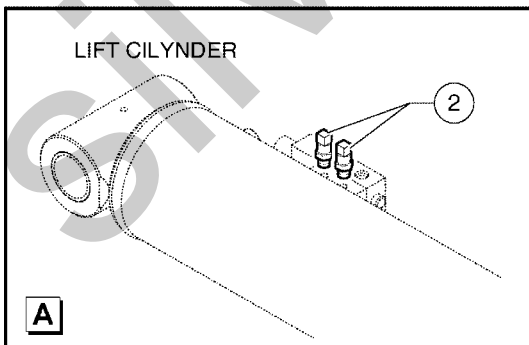
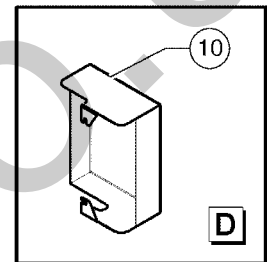
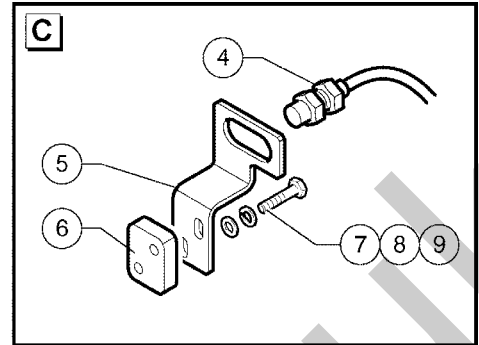
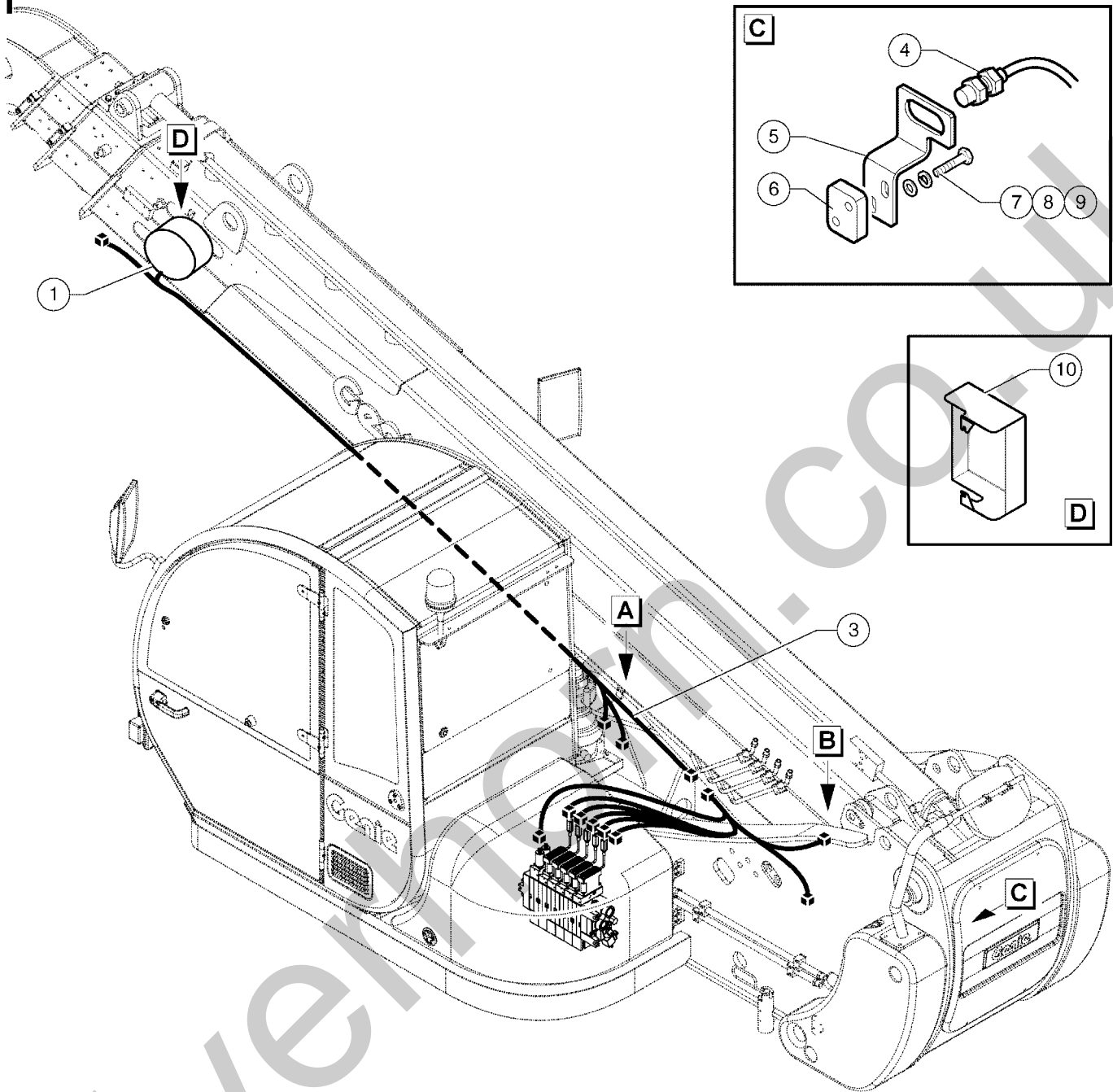
704.1 608978 Slewing Upper Structure Line - Part 1



704.1 608978 Slewing Upper Structure Line - Part 1

Item	Part No.	Description	Qty.
1	07.0703.0305GT	BULB, HEADLAMP.....	1
2	56.0010.0058GT	BULB,12V,45/40W.....	1
3	05.4329.0002GT	PROXIMITY SWITCH.....	1
4	05.4329.0001GT	PRESSURE SWITCH.....	1
5	56.0009.0000GT	Horn.....	1
6	07.0703.0321GT	BULB.....	1
7	56.0010.0004GT	LIGHT,TRAFFIC ROAD PLATE.....	1
8	55.0602.0940GT	Harness.....	1
9	56.0012.0089GT	Proximity Switch.....	2
10	56.0009.0009GT	ALARM.....	1
11	56.0010.0034GT	LIGHT,FRONT,RIGHT.....	1
12	56.0010.0035GT	LIGHT,FRONT,LEFT.....	1
13	07.0703.0306GT	BULB, HEADLAMP.....	2

705.1 608979 Slewing Upper Structure Line - Part 2

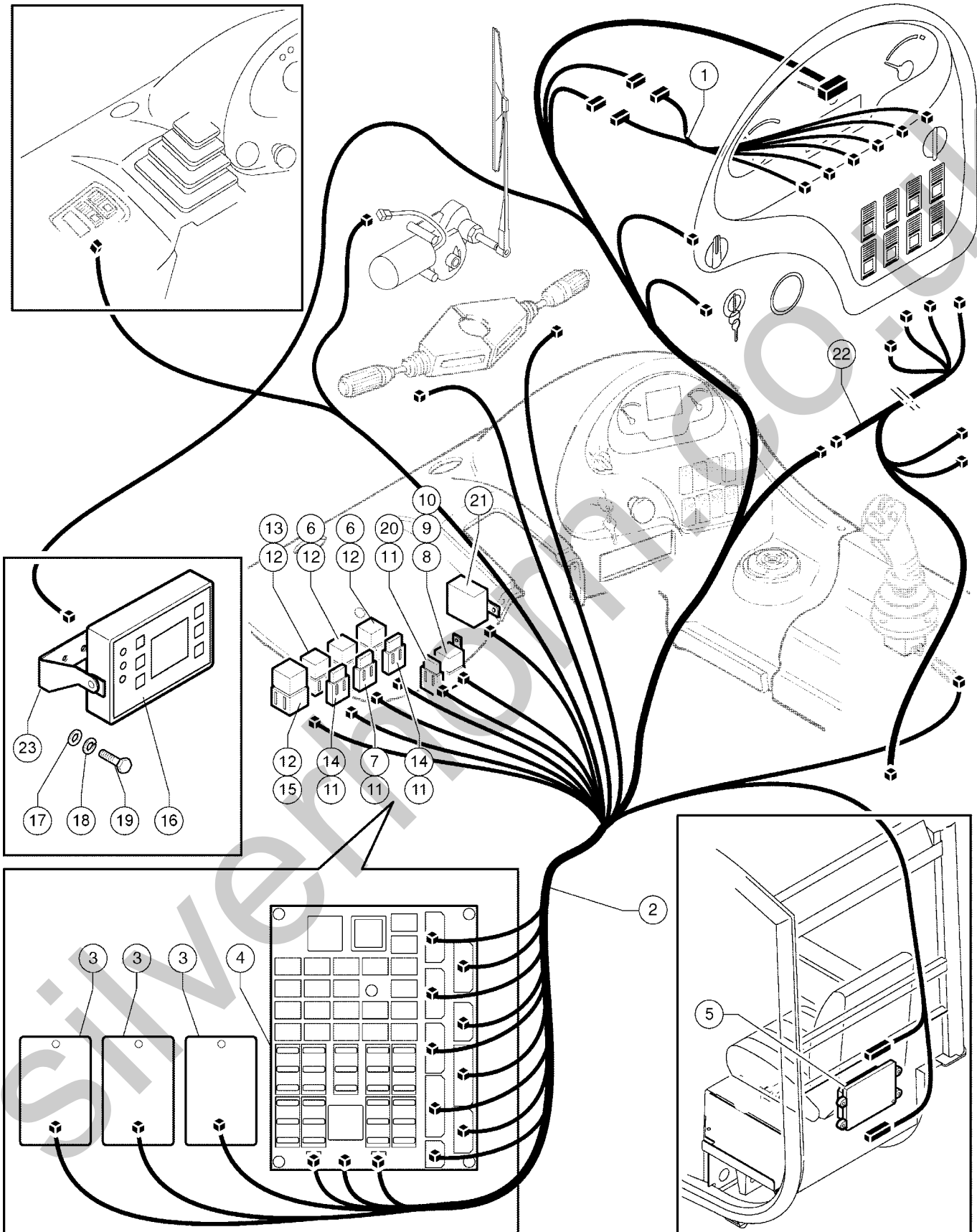


705.1 608979 Slewing Upper Structure Line - Part 2

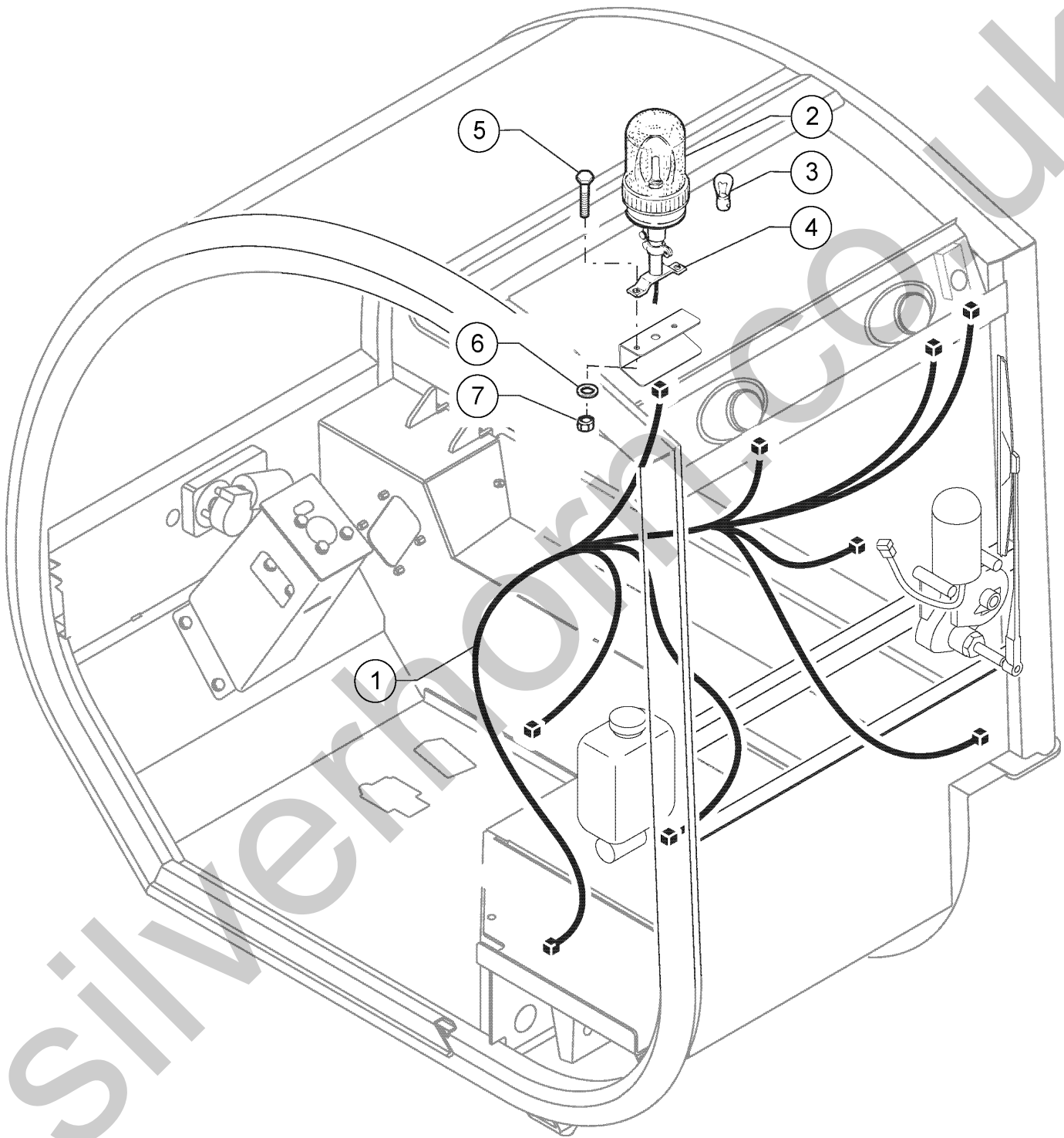
Item	Part No.	Description	Qty.
1	56.0012.0067GT	Lenght-Angle-Temp. Transducer.....	1
2	56.0012.0063GT	Pressure Transducer.....	4
3	55.0602.0818GT	Harness.....	1
4	55.0602.0392GT	SENSOR.....	1
5	51.0811.4571GT	SUPPORT,BOOM SENSOR.....	1
6	51.0811.4721GT	Spacer.....	1
7	01.0001.0158GT	SCREW M6X25 UNI 5739 8.8 ZN.....	2
8	01.4032.0002GT	SPRING WASHER D6 ZN.....	2
9	01.0031.0298GT	FLAT WASHER D6 UNI 6593 ZN.....	2
10	51.0903.5237GT	COVER.....	1

Silverhorn.CO.UK

706.1 608980 Dashboard Line



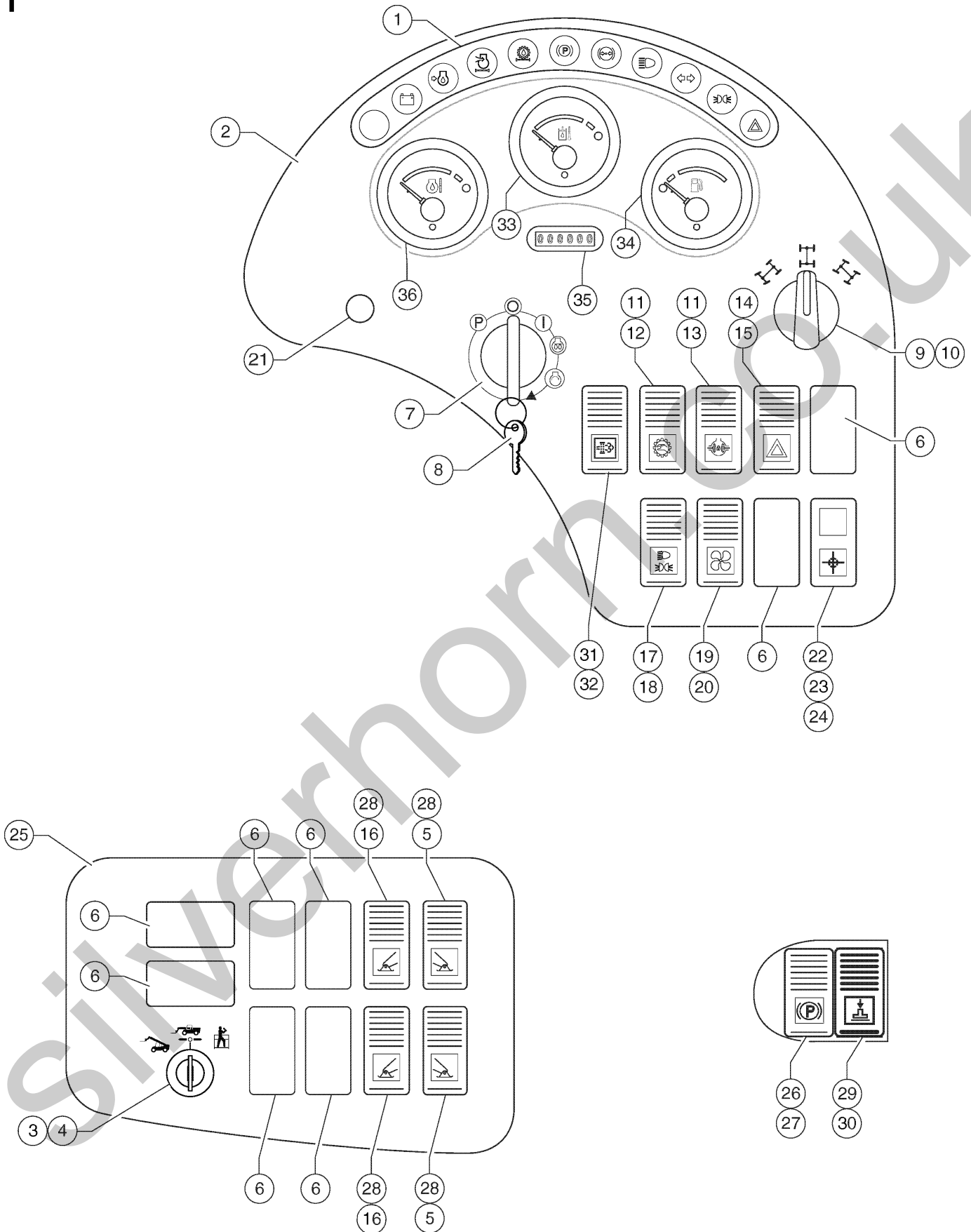
Item	Part No.	Description	Qty.
1	55.06020813GT	Dashboard Line.....	1
2	55.06020934GT	Driver Line.....	1
3	56.0021.0181GT	CONTROL UNIT RELE 12V.....	3
4	56.0021.0117GT	FUSE-RELAY BOARD.....	1
5	56.0021.0138GT	Machine Control Unit.....	1
6	07.0703.0486GT	RELAY.....	2
7	07.0703.0193GT	Fuse 5A.....	1
8	07.0703.0192GT	RELAY.....	1
9	56.0005.0017GT	Relay Support Bracket.....	1
10	56.0005.0014GT	Relay Support.....	1
11	56.0005.0016GT	Fuse Support.....	4
12	56.0005.0015GT	Relay Support.....	3
13	56.0021.0134GT	TIMER,WIPER.....	1
14	634976GT	FUSE.....	2
15	56.0021.0135GT	Module Anti-Start Engine.....	1
16	56.0016.0066GT	Machine Control Unit Display.....	1
17	01.0031.0298GT	FLAT WASHER D6 UNI 6593 ZN.....	2
18	01.4032.0002GT	SPRING WASHER D6 ZN.....	2
19	01.0001.0154GT	SCREW M6X16 UNI 5739 8.8 ZN.....	2
20	07.0703.0148GT	FUSE,10A.....	1
21	07.0703.0486GT	RELAY.....	1
22	55.06020525GT	WIRING HARNESS,CAB.....	1
23	51.0811.4743GT	BRACKET.....	1



Item	Part No.	Description	Qty.
1	55.0602.0525GT	WIRING HARNESS,CAB.....	1
2	56.0010.0005GT	Flashing Beacon.....	1
3	07.0703.0384GT	BULB.....	1
4	56.0002.0000GT	Support.....	1
5	01.0001.0254GT	SCREW M8X20 UNI 5739 8.8 ZN.....	2
6	01.0031.0055GT	FLAT WASHER D8 UNI 6592 ZN.....	2
7	01.0023.0054GT	NUT,M8 UNI 7473 6S ZN.....	2

Silverhorn.CO.UK

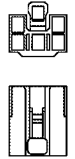
708.1 608982 Dashboard



Item	Part No.	Description	Qty.
1	07.0703.0424GT	DASHBOARD INDICATORS, LIGHT.....1	1
2	56.0015.0017GT	Right Plate Dashboard.....1	1
3	07.0703.0669GT	KEYSWITCH.....1	1
4	07.0703.0668GT	Lock Ring.....1	1
5	07.0703.0035GT	SYMBOL,RIGHT OUTRIGGERS.....2	2
6	07.0703.0423GT	PLUG.....8	8
7	07.0703.0727GT	Switch - Start Engine.....1	1
8	07.0703.0125GT	KEY ONLY, SWITCH/IGNITION.....1	1
9	07.0703.0577GT	SWITCH.....1	1
10	07.0703.0429GT	KNOB, STEERING MODE SELECTOR..1	1
11	07.0703.0430GT	SWITCH.....2	2
12	07.0703.0007GT	SYMBOL,MECHANICAL GEAR.....1	1
13	07.0703.0008GT	SYMBOL,TRANSMISSION LOCK.....1	1
14	07.0703.0572GT	SWITCH.....1	1
15	07.0703.0032GT	SYMBOL,HAZARD WARNING LIGHTS.....1	1
16	640006GT	GLASS.....2	2
17	07.0703.0433GT	SWITCH.....2	2
18	07.0703.0434GT	SYMBOL,ROAD LIGHT.....1	1
19	07.0703.0435GT	SWITCH.....1	1
20	07.0703.0010GT	SYMBOL, HEATING FAN.....1	1
21	07.0703.0729GT	SWITCH.....1	1
22	07.0703.0657GT	INDICATORS, LIGHT SUPPORT.....1	1
23	07.0703.0617GT	BLACK - SYMBOL.....1	1
24	56.0017.0093GT	SYMBOL,ELECTRONIC LEVEL.....1	1
25	56.0015.0013GT	SWITCH HOLDER,PLATE.....1	1
26	56.0017.0061GT	PARKING BRAKE - SYMBOL.....1	1
27	07.0703.0578GT	Switch.....1	1
28	07.0703.0419GT	SWITCH.....4	4
29	56.0017.0003GT	Switch.....1	1
30	56.0017.0142GT	Outriggers - Symbol.....1	1
31	56.0017.0105GT	Switch.....1	1
32	56.0017.0104GT	DPF - Symbol.....1	1
33	07.0703.0425GT	GAUGE / OIL PRESSURE.....1	1
34	07.0703.0427GT	INDICATOR, FUEL LEVEL.....1	1
35	07.0703.0428GT	HOUR METER.....1	1
36	07.0703.0426GT	INDICATOR, WATER TEMP.....1	1

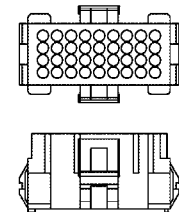
709.1 608983 Connectors

1



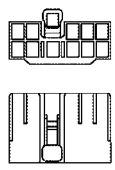
125209
120071

7



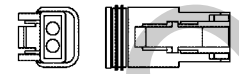
124565
120564

2



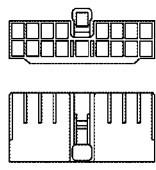
125212
120071

8



125402
120111
125403

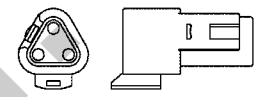
3



125214
120071

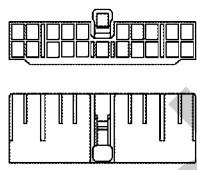
125214G
120071

9



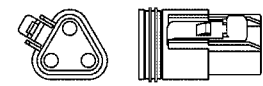
125404
125405
150100

4



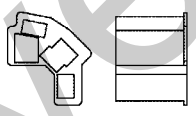
125215
120071

10



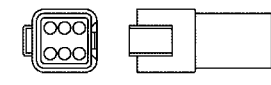
125406
120111

5



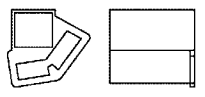
125122
120000

11



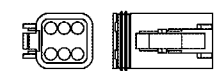
125414
125413
120110
150100

6



125121
120019

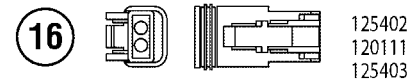
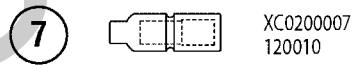
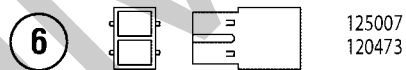
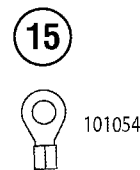
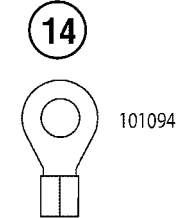
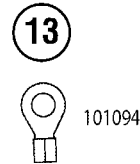
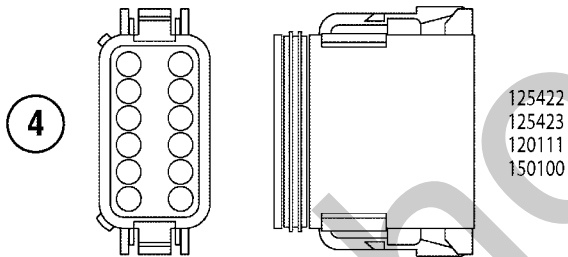
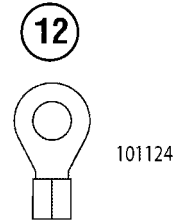
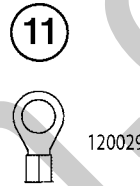
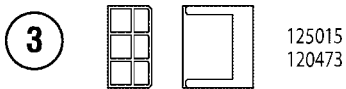
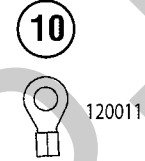
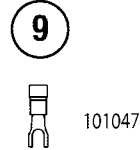
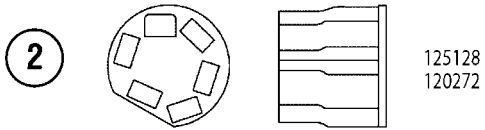
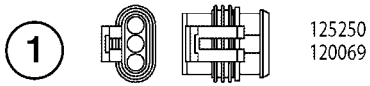
12



125412
125415
120111
150100

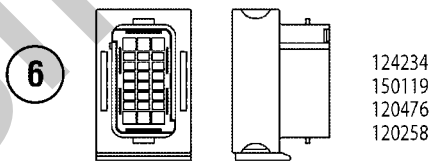
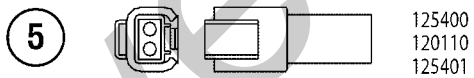
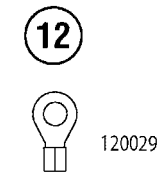
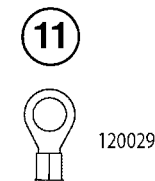
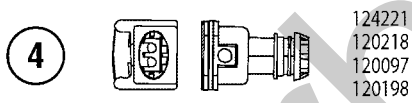
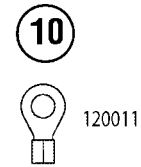
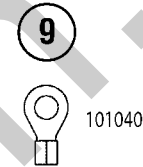
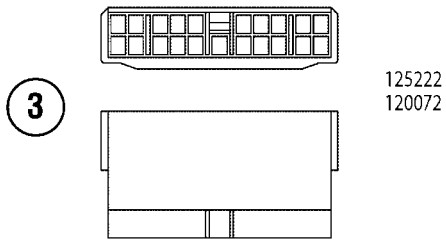
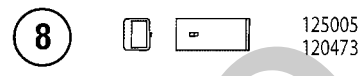
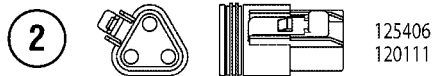
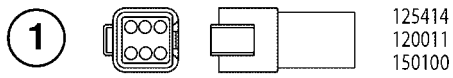
Item	Part No.	Description	Qty.
1	56.00020132GT	5-way Mark li Connector	
2	56.00020144GT	11-way Mark li Connector	
3	56.00020103GT	CONNECTOR,17 WAY,MALE	
4	56.00020175GT	CONNECTOR	
5	56.00020108GT	CONNECTOR, 6 WAY	
6	56.00020108GT	CONNECTOR, 6 WAY	
7	56.00020111GT	CONNECTOR, 36 PIN	
8	56.00020141GT	CONNECTOR,2 WAY,MALE	
9	56.00020073GT	3-way Deutsch Connector	
10	56.00020069GT	3-Way Deutsch Connector	
11	07.07030383GT	6-way Deutsch Connector	
12	07.07030382GT	CONNECTOR, 6WAY	

710.1 608984 Connectors



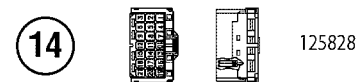
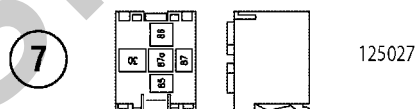
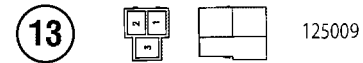
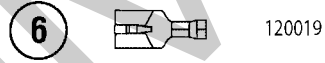
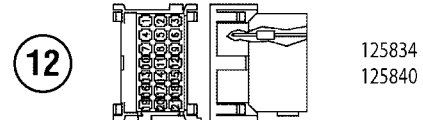
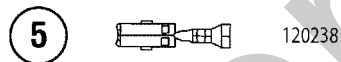
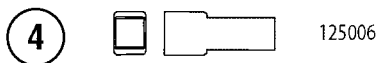
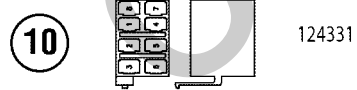
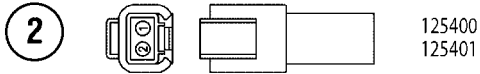
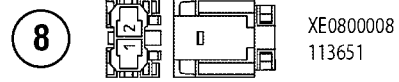
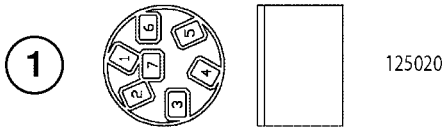
Item	Part No.	Description	Qty.
1	56.00020226GT	2-way Connector	
2	56.00020128GT	CONNECTOR, 6 WAY	
3	56.00020113GT	6-way Connector	
4	07.07030314GT	12-way Deutsch Connector	
5	56.00020031GT	2-way Connector	
6	56.00020134GT	2-way Connector	
7	56.00020196GT	Connector	
8	56.00020169GT	CONNECTOR	
9	56.00020117GT	Red Fork D.4.3	
10	56.00020622GT	C/c D. 5,3 For Wire D. 1-2,5	
11	56.00020119GT	TERMINAL,RING,D5.3	
12	56.00020198GT	TERMINAL,RING D5	
13	56.00020197GT	C/c D. 8 For Wire D. 10	
14	56.0001.0006GT	C/c D. 10 For Wire D. 25	
15	56.0001.0009GT	TERMINAL,RING,D8	
16	56.00020141GT	CONNECTOR,2 WAY,MALE	

711.1 608985 Connectors



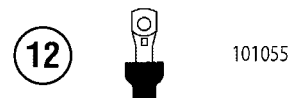
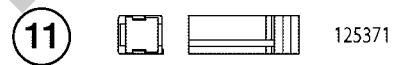
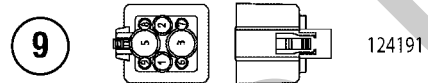
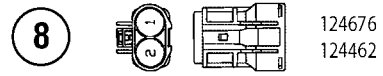
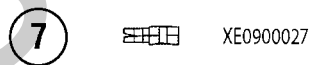
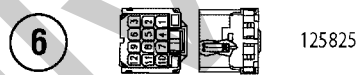
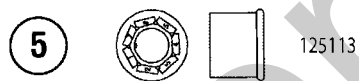
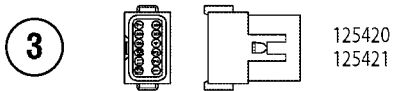
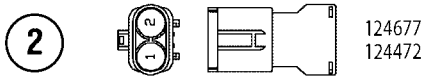
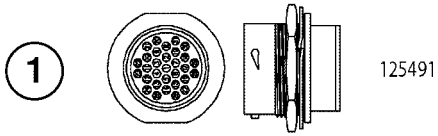
Item	Part No.	Description	Qty.
1	07.0703.0383GT	6-way Deutsch Connector	
2	56.0002.0069GT	3-Way Deutsch Connector	
3	56.0002.0104GT	CONNECTOR,21 WAY,FEMALE	
4	124221GT	DECAL,INPUT POWER,110VAC	
5	56.0002.0153GT	CONNECTOR,2 WAY,FEMALE	
6	124234GT	Connector	
7	56.0002.0169GT	CONNECTOR	
8	125005GT	3-way Deutsch Connector	
9	101040GT	C/c D. 10 For Wire D. 70	
10	56.0002.0622GT	C/c D. 5,3 For Wire D. 1-2,5	
11	56.0002.0119GT	TERMINAL,RING,D5.3	
12	101052GT	C/c D. 10 For Wire D. 70	

712.1 608986 Connectors



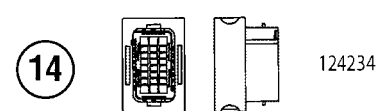
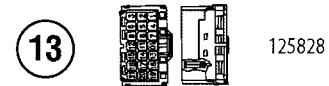
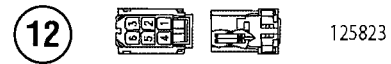
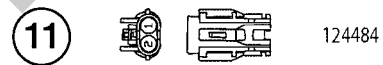
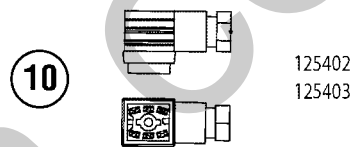
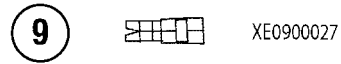
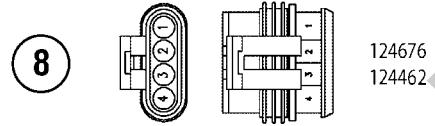
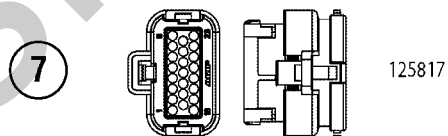
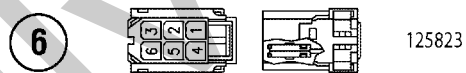
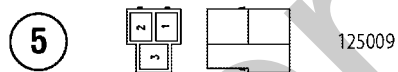
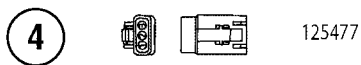
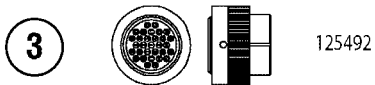
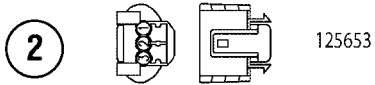
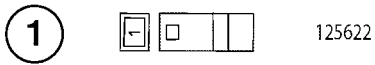
Item	Part No.	Description	Qty.
1	56.00020254GT	7-way PF Connector for Towing Attachment	
2	56.00020153GT	CONNECTOR,2 WAY,FEMALE	
3	56.00020256GT	Metri-Pack 280 2-Way Male Connector	
4	56.00020255GT	Tyco 1-Way PM Fastin Faston Connector	
5	56.00020257GT	MCP FEMALE TERMINAL, 2.8 0.5-1MM	
6	005796GT	F. F. Large Ratchet Stop 4-6 sq mm	
7	005361GT	White Modular Relay Connector	
8	56.00050009GT	FUSE HOLDER	
9	56.00010011GT	D10 Cable Terminal for 10 sq mm Cable	
10	56.00020258GT	COBO Series 600 Int. Connector	
11	56.00020259GT	Tyco MCP 2.8 6-way Connector PM Blue pol. B-C	
12	56.00020260GT	Tyco 2.8 21-way Connector PM Brown pol. B-C	
13	56.00020242GT	CONNECTOR,3 WAY	
14	56.00020237GT	CONNECTOR,21 WAY	

713.1 608987 Connectors



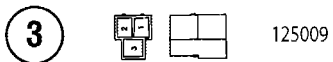
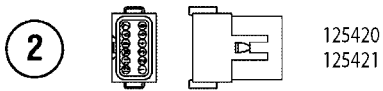
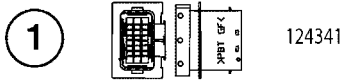
Item	Part No.	Description	Qty.
1	56.0002.0239GT	Deutz Series HDP20 31-way Connector PM	
2	56.0002.0240GT	YAZAKL Y Type 2-way Connector PM	
3	56.0002.0036GT	CONNECTOR,12 WAY,FEMALE	
4	56.0002.0261GT	CONNECTOR,4 WAY	
5	56.0002.0263GT	Pneutron 7-way Connector Round Black	
6	56.0002.0262GT	Tyco MCP 2.8 12-way Connector PF Green pol. B-C	
7	56.0002.0236GT	Flat Male Plug, Galvanised	
8	56.0002.0267GT	YAZAKL Y Type 2-way Connector PF	
9	56.0002.0266GT	CONNECTOR	
10	56.0002.0265GT	MTA 1-way Power Connector PF Blue	
11	56.0002.0264GT	CONNECTOR,1 WAY	
12	56.0001.0012GT	Cable Terminal D6.4 x 16 sq mm	
13	07.0709.0624GT	90° Faston Spade Lug	
14	56.0001.0013GT	CEMBRE CABLE TERMINAL D10 X 16.00 SQ MM	

714.1 608988 Connectors



Item	Part No.	Description	Qty.
1	56.0002.0269GT	YAZAKL Series 305 1-way Connector PF	
2	56.0002.0268GT	3-way Connector PF TS Standard Series Sealed	
3	56.0002.0234GT	Deutz HDP20 31-way Connector PF In Line	
4	56.0002.0235GT	Deutz HDP20 31-way Connector PF In Line	
5	56.0002.0242GT	CONNECTOR,3 WAY	
6	56.0002.0238GT	CONNECTOR,6 WAY	
7	56.0002.0270GT	AMPSEAL 23-way Connector PF	
8	07.0703.0621GT	4-WAY CONNECTOR	
9	56.0002.0236GT	Flat Male Plug, Galvanised	
10	56.0002.0115GT	Deutz 2-way Connector PF Sealed C015	
11	56.0002.0243GT	YAZAKL SWP 2-way Connector PF	
12	56.0002.0238GT	CONNECTOR,6 WAY	
13	56.0002.0237GT	CONNECTOR,21 WAY	
14	56.0002.0097GT	CONNECTOR, 24-WAY	

715.1 608989 Connectors

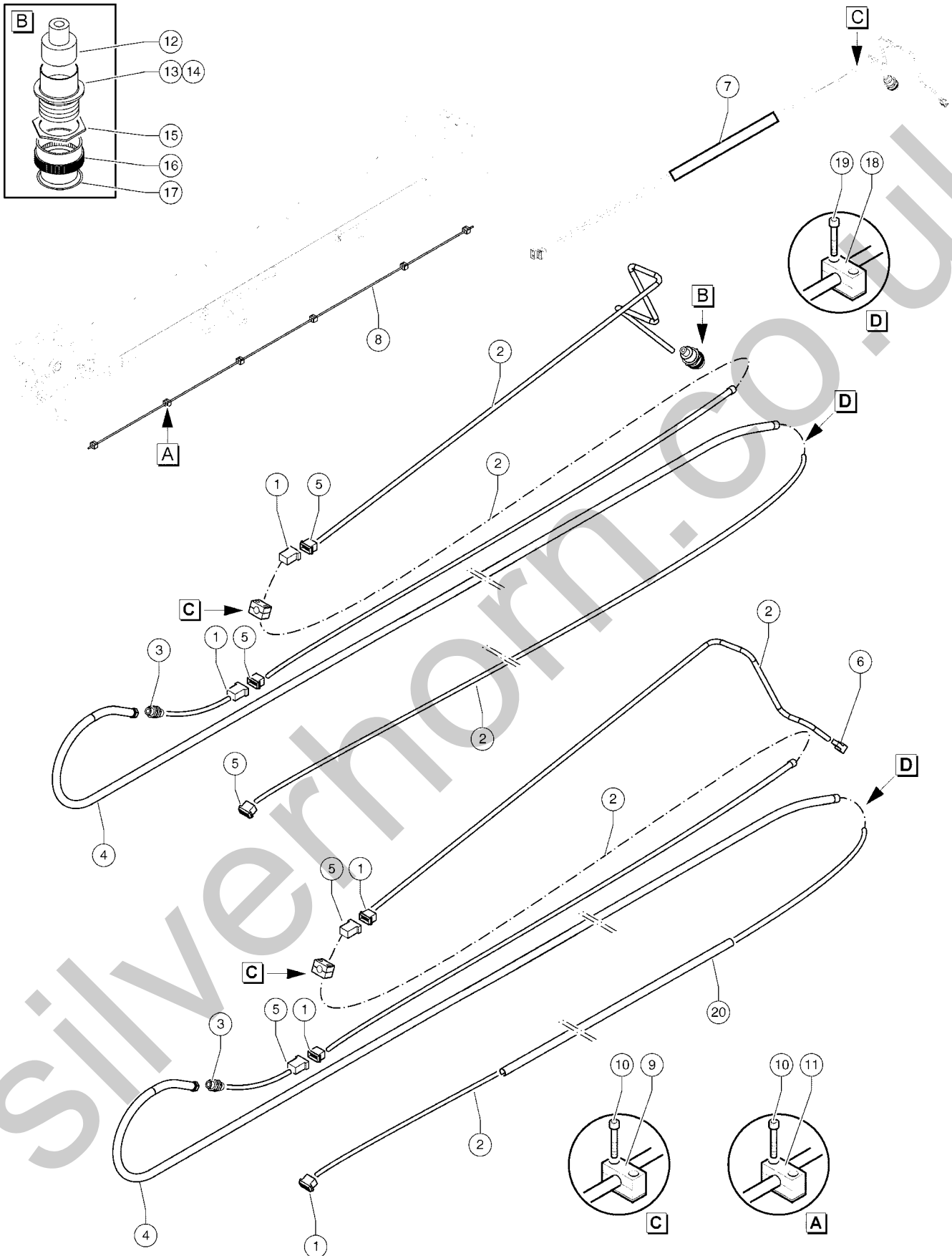


Silverhorn.CO.UK

Item	Part No.	Description	Qty.
1	56.0002.0200GT	CONNECTOR,24 WAY	
2	56.0002.0036GT	CONNECTOR,12 WAY,FEMALE	
3	56.0002.0242GT	CONNECTOR,3 WAY	

Silverhorn.CO.UK

716.1 608990 Auxiliary Hydraulic Circuit And Attachment

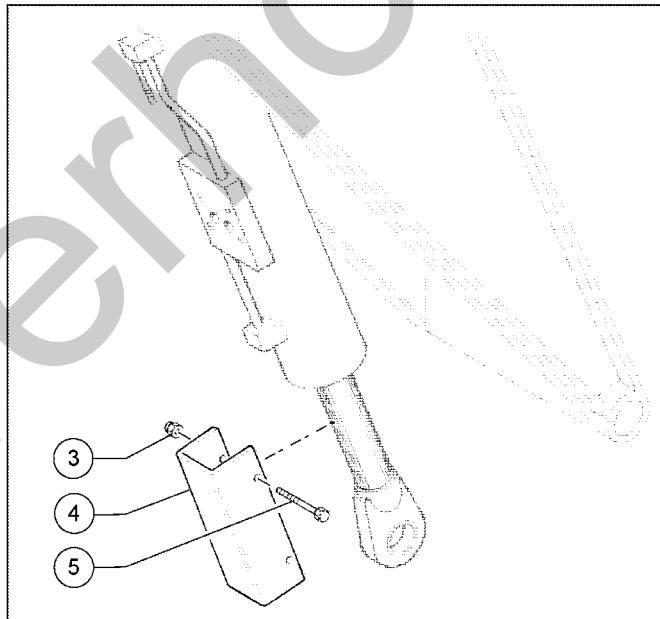
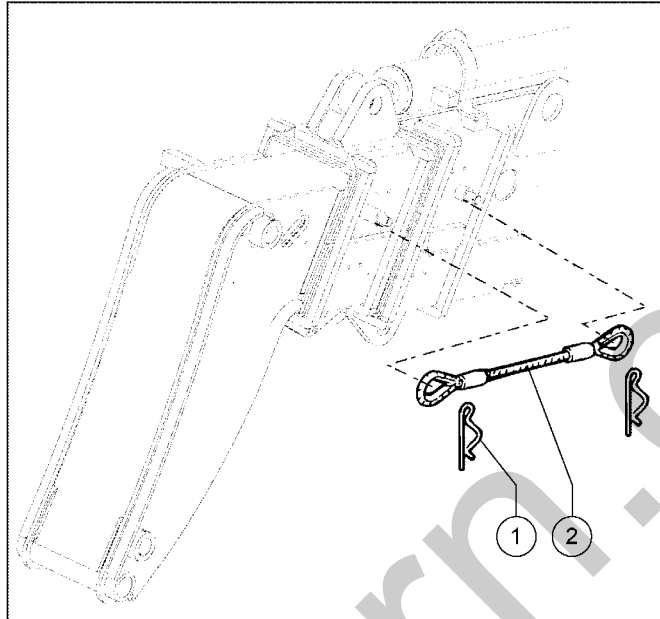


716.1 608990 Auxiliary Hydraulic Circuit And Attachment

Item	Part No.	Description	Qty.
1	55.0602.0724GT	CONNECTOR.....	5
2	56.0000.0096GT	WIRING HARNESS,BOOM..... 24,2 + 24,2 m	48.4-m
3	04.0600.0272GT	PIPE FITTING M 1/2" BSPXM 1/2" BSP.....	2-m
4	04.0602.0605GT	HOSE.....	2
5	55.0602.0275GT	CONNECTOR.....	5
6	55.0602.0794GT	CONNECTOR.....	1
7	07.0602.0604GT	DOUBLE HOSE.....	1
8	52.0900.9329GT	Electric Line Fixing Bar.....	1
9	09.0803.0829GT	Bracket Double D9,5.....	3
10	01.0003.0155GT	SCREW M6X20 UNI 5931 8.8 ZN.....	8
11	09.0803.0674GT	Clamp D8.....	5
12	56.0002.0307GT	CONNECTOR HOLDER.....	1
13	56.0002.0310GT	CONNECTOR.....	1
14	56.0001.0021GT	HOOD,CONNECTOR.....	1
15	01.4022.0007GT	STOP NUT.....	1
16	56.0017.0072GT	PLUG.....	1
17	01.0033.0000GT	Washer.....	1
18	09.0803.0031GT	SINGLE HOSE BRACKET D20.....	2
19	01.0003.0158GT	SCREW,TCEI,M6X30 UNI 8.8 ZN.....	4
20	56.0000.0080GT	SHEATH.....	1.80-m

801.1 608991 Transport Locking Devices

Only for machines destined for the Italian market

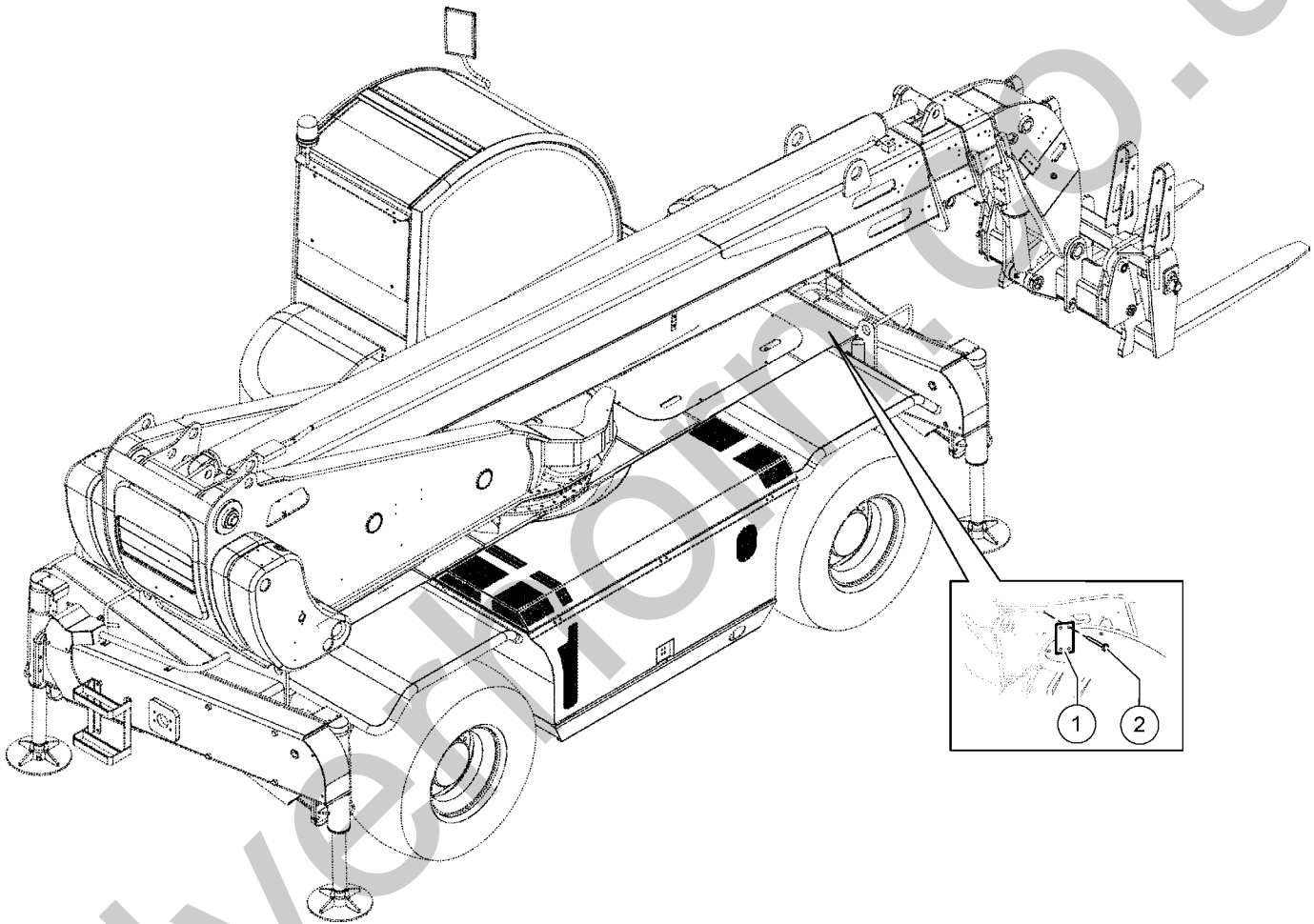


801.1 608991 Transport Locking Devices

Item	Part No.	Description	Qty.
1	09.0803.0026GT	SPRING SPLIT PIN.....	2
2	09.0803.0161GT	Rope.....	1
3	01.0023.0055GT	NUT,STOP,M10 UNI 7473 6S ZN.....	2
4	51.0811.4326GT	Safety Braket.....	1
5	01.0001.0042GT	Screw TE M10 x 110 UNI 5737 8.8.....	2

Silverhorn.CO.UK

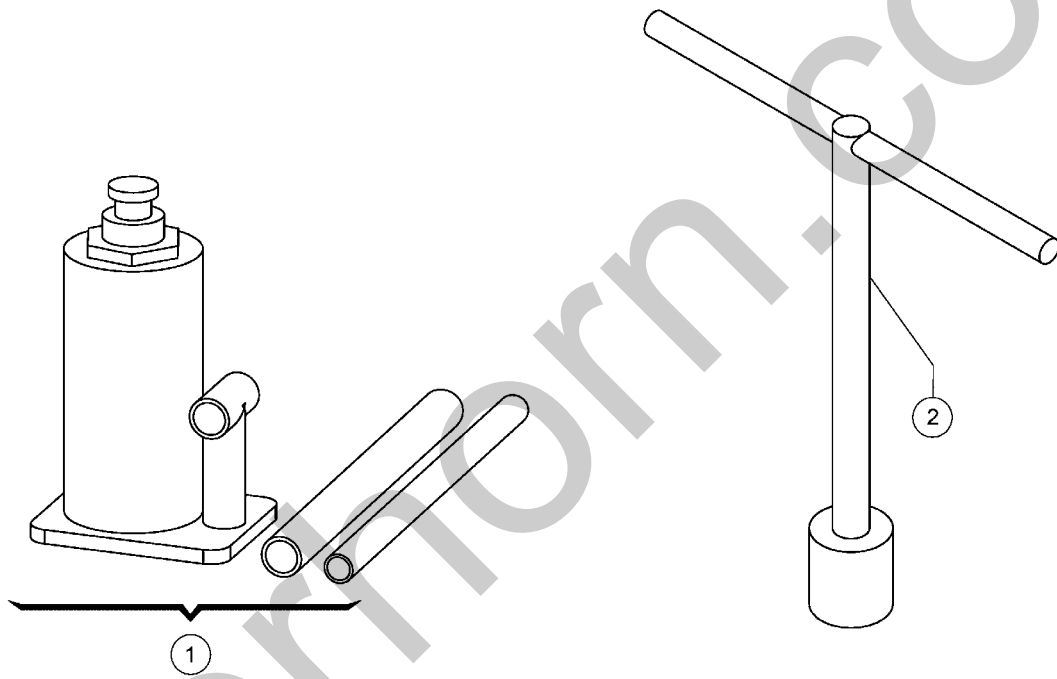
802.1 608992 Plate For Swiss Market



Item	Part No.	Description	Qty.
1	0946160114GT	Plate.....	1
2	024115.0000GT	Rivet D4x12.....	4

Silverhorn.CO.UK

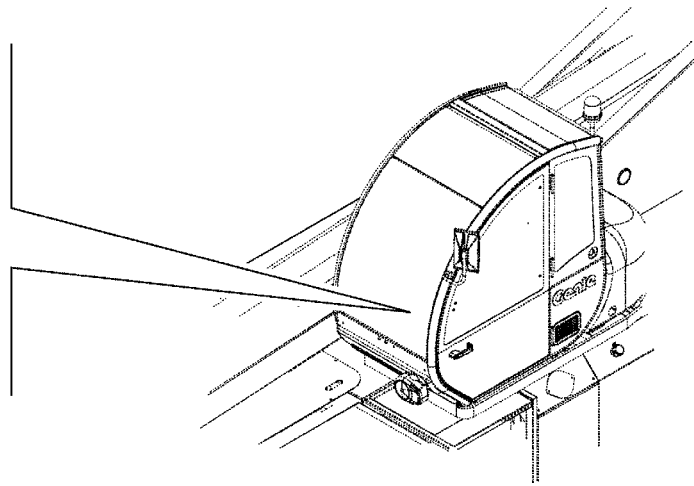
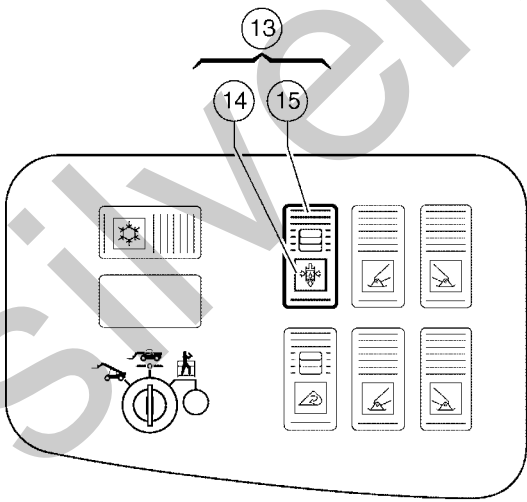
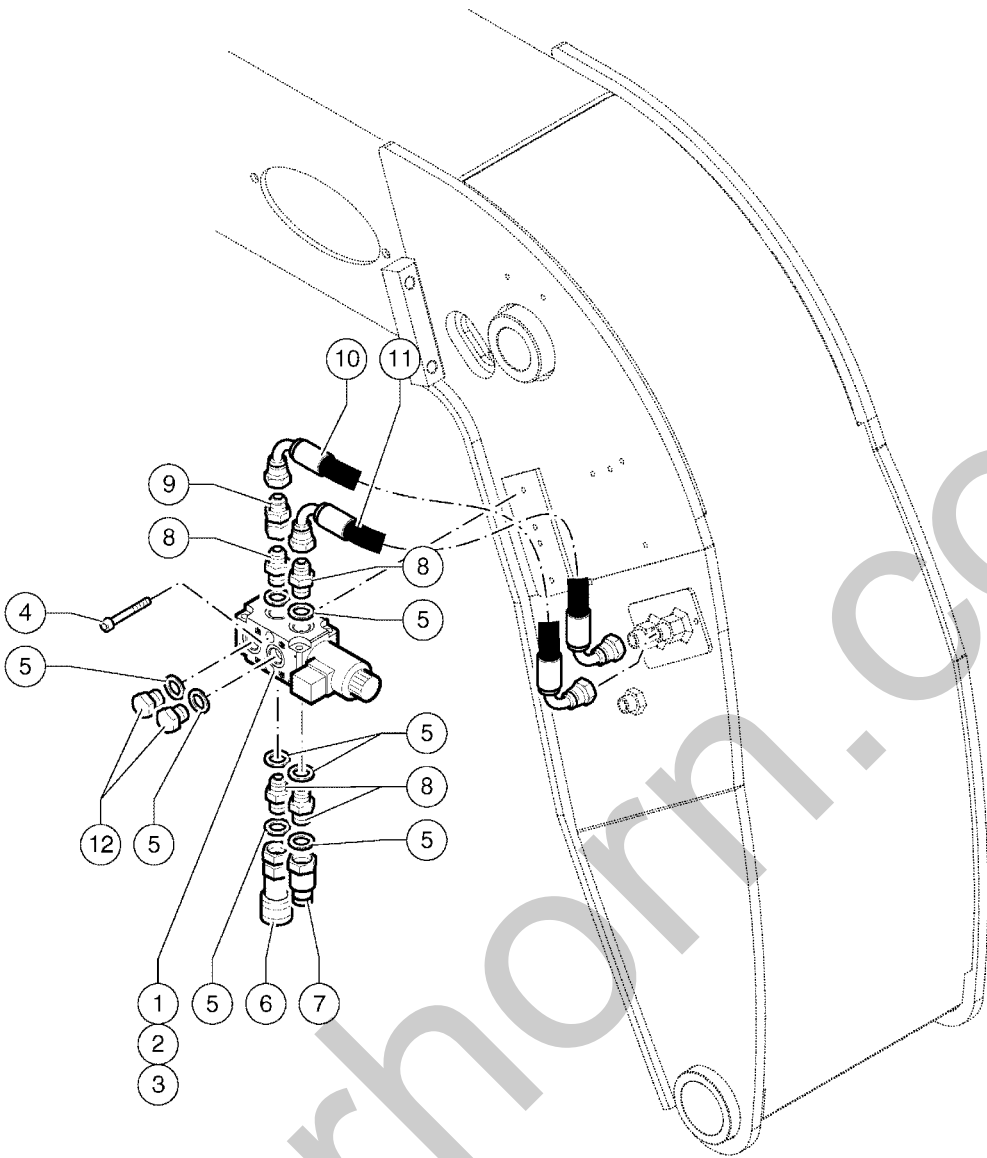
803.1 608993 Hydraulic Jack



Item	Part No.	Description	Qty.
1	09.4675.0003GT	Hydraulic Jack.....	1
2	09.4675.0000GT	Ratchet Socket.....	1

Silverhorn.CO.UK

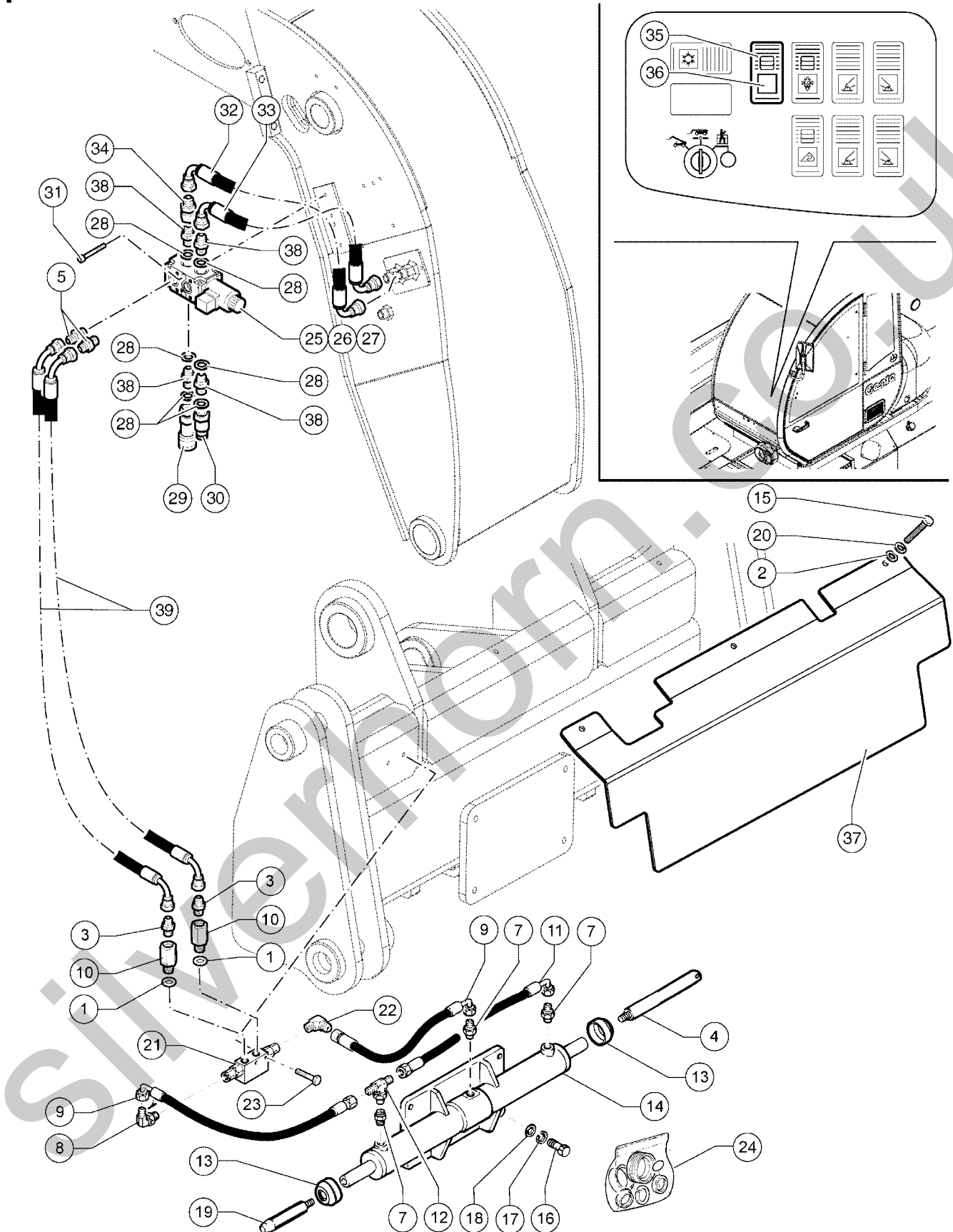
804.1 608994 Auxiliary Hydraulic Circuit



804.1 608994 Auxiliary Hydraulic Circuit

Item	Part No.	Description	Qty.
1	04.4240.0075GT	SOLENOID VALVE ASSY 6 WAY.....	1
2	07.0701.0316GT	SOLENOID.....	1
3	07.0701.0317GT	SINGLE VALVE BODY.....	1
4	01.4003.0036GT	SCREW M8X65 UNI 5931 8.8 ZN.....	4
5	06.0442.0122GT	BONDED RING 1/2".....	8
6	04.4210.0019GT	QUICK COUPLING, FEMALE 1/2.....	1
7	04.4210.0018GT	QUICK COUPLING, MALE 1/2.....	1
8	04.0600.0017GT	PIPE FITTING 1/2X1/2 BSP.....	6
9	04.0600.0107GT	PIPE FITTING GMF 1/2 BSP.....	1
10	04.0602.0613GT	HOSE R2X1/2 500 F90 F90 BSP A 270°.....	1
11	04.0602.0615GT	HOSE R2X1/2 430 F90 BSP F90 BSP A 270°.....	1
12	04.0220.0055GT	PLUG 1/2 BSP.....	2
13	56.0017.0006GT	SWITCH, COMPLETE, 2ND HYDRAULIC LINE.....	1
14	56.0017.0010GT	SWITCH COVER, 2ND HYDRAULIC LINE.....	1
15	07.0703.0494GT	SWITCH.....	1

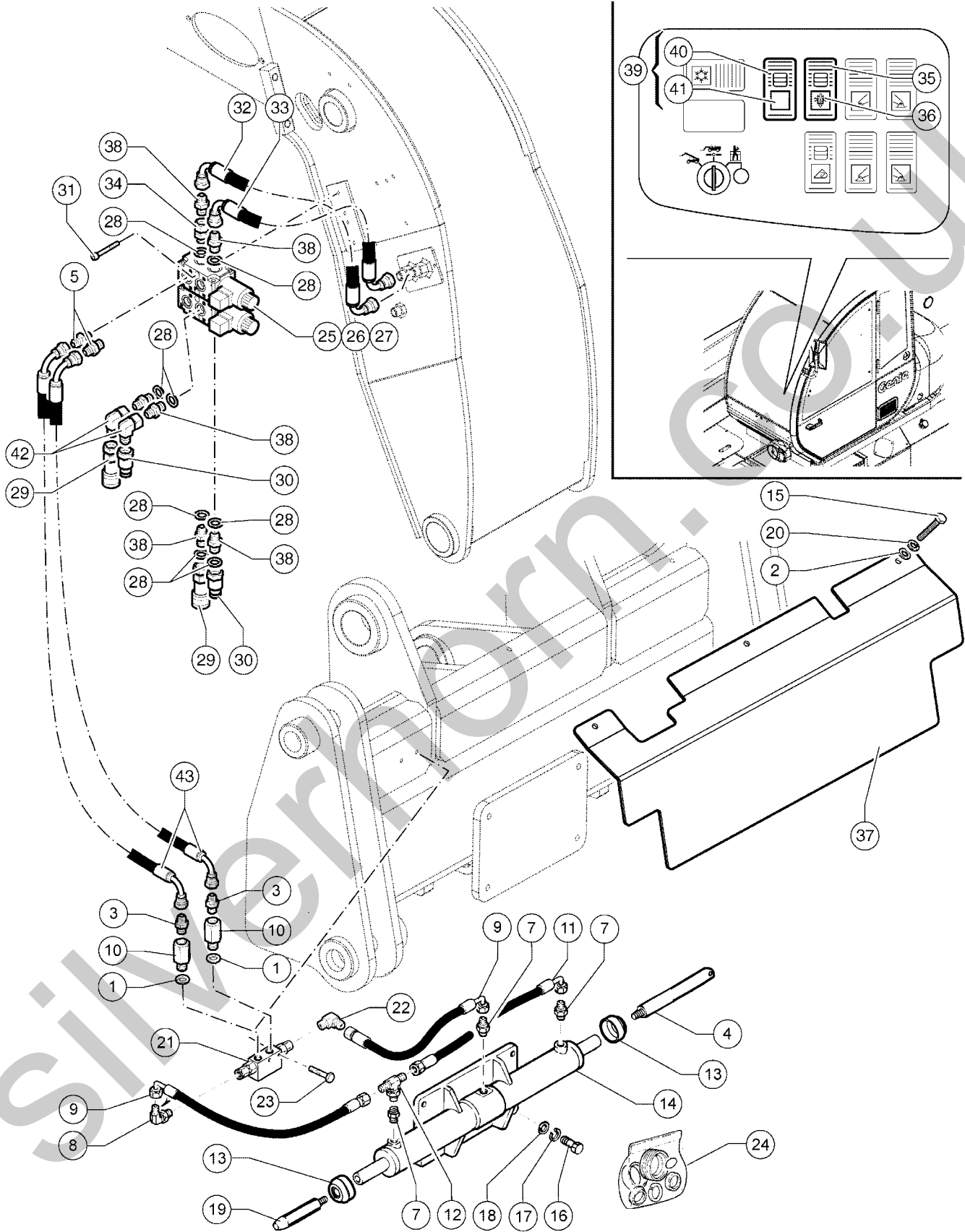
805.1 608995 Hydraulic Quick Coupling And 1 Aux Circuit



805.1 608995 Hydraulic Quick Coupling And 1 Aux Circuit

Item	Part No.	Description	Qty.	Item	Part No.	Description	Qty.
1	06.04420117GT	BONDED RING 1/4".....	2	39	04.0605.1633GT	HOSE R2X3/8 LG 1050 F90-F90 11/16-16 90.....	2
2	01.0031.0299GT	FLAT WASHER D8 UNI 6593 ZN.....	3				
3	04.0607.0163GT	PIPE FITTING 1/4BSPX11/16-16 ORFS.....	2				
4	54.0001.0087GT	Pin.....	1				
5	04.0607.0110GT	PIPE FITTING 1/2BSP x 11/16-16 ORFS.....	2				
7	04.0607.0114GT	PIPE FITTING 3/8 BSPX9/16-18 ORFS.....	3				
8	04.0607.0112GT	PIPE FITTING M-M A 90 1/4 BSPX9/16-18 ORFS.....	1				
9	04.0605.1043GT	Hose R2 X 1/4 280 FD F90 9/16"-18.....	2				
10	04.0600.0069GT	PIPE FITTING CMF 1/4 ES LG 40.....	2				
11	04.0605.0113GT	HOSE R2X1/4 LG 405 FD-F90 9/16-18 ORFS.....	1				
12	04.0607.0131GT	PIPE FITTING TMF+C 9/16-18 ORFS.....	1				
13	54.0100.0094GT	Washer.....	2				
14	53.0500.0601GT	Cylinder.....	1				
15	01.4001.0078GT	SCREW M8X20 DIN 6923 8.8 ZN.....	3				
16	01.0001.0055GT	SCREW M10X25 UNI 5739 8.8 ZN.....	4				
17	01.4032.0004GT	SPRING WASHER D10 ZN.....	4				
18	01.0031.0301GT	FLAT WASHER D10 UNI 6593 ZN.....	4				
19	54.0001.0088GT	Pin.....	1				
20	01.4032.0003GT	SPRING WASHER D8 ZN.....	3				
21	04.4239.0002GT	VALVE.....	1				
22	04.0607.0132GT	PIPE FITTING 45 M-M 1/4 BSPX9/16-18 ORFS.....	1				
23	01.0003.0160GT	SCREW M6X40 UNI 5931 8.8 ZN.....	2				
24	07.4529.0107GT	SET OF GASKETS.....	1				
25	04.4240.0075GT	SOLENOID VALVE ASSY 6 WAY.....	1				
26	07.0701.0316GT	SOLENOID.....	2				
27	07.0701.0317GT	SINGLE VALVE BODY.....	2				
28	06.04420122GT	BONDED RING 1/2".....	6				
29	04.4210.0019GT	QUICK COUPLING, FEMALE 1/2.....	1				
30	04.4210.0018GT	QUICK COUPLING, MALE 1/2.....	1				
31	01.4003.0036GT	SCREW M8X65 UNI 5931 8.8 ZN.....	2				
32	04.0602.0613GT	HOSE R2X1/2 500 F90 F90 BSP A 270°.....	1				
33	04.0602.0615GT	HOSE R2X1/2 430 F90 BSP F90 BSP A 270°.....	1				
34	04.0600.0107GT	PIPE FITTING GMF 1/2 BSP.....	1				
35	07.0703.0430GT	SWITCH.....	1				
36	56.0017.0125GT	SYMBOL, ATTACHMENT LOCK.....	1				
37	51.0903.5155GT	Guard.....	1				
38	04.0600.0017GT	PIPE FITTING 1/2X1/2 BSP.....	4				

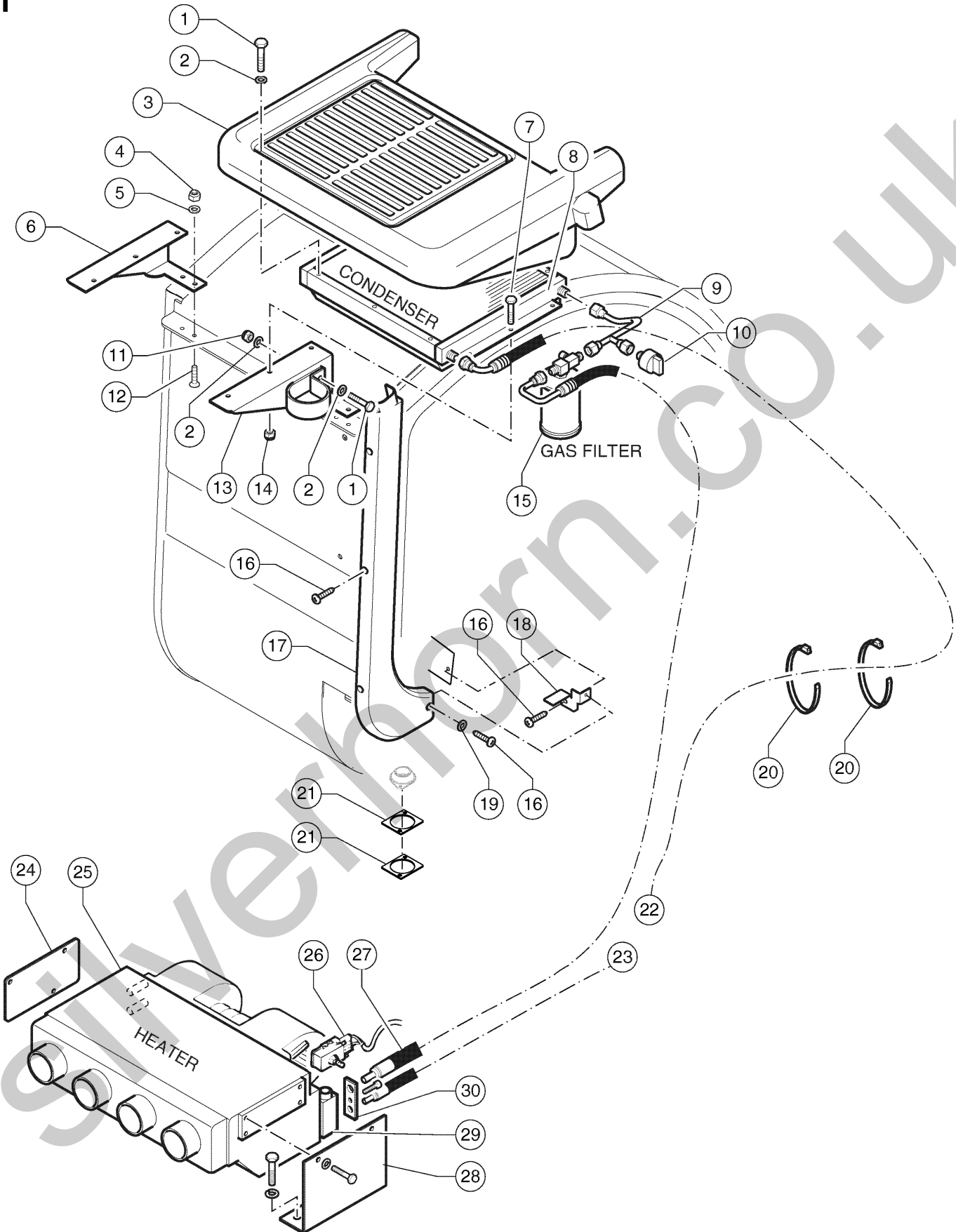
806.1 608996 Hydraulic Quick Coupling And 2 Aux Circuits



806.1 608996 Hydraulic Quick Coupling And 2 Aux Circuits

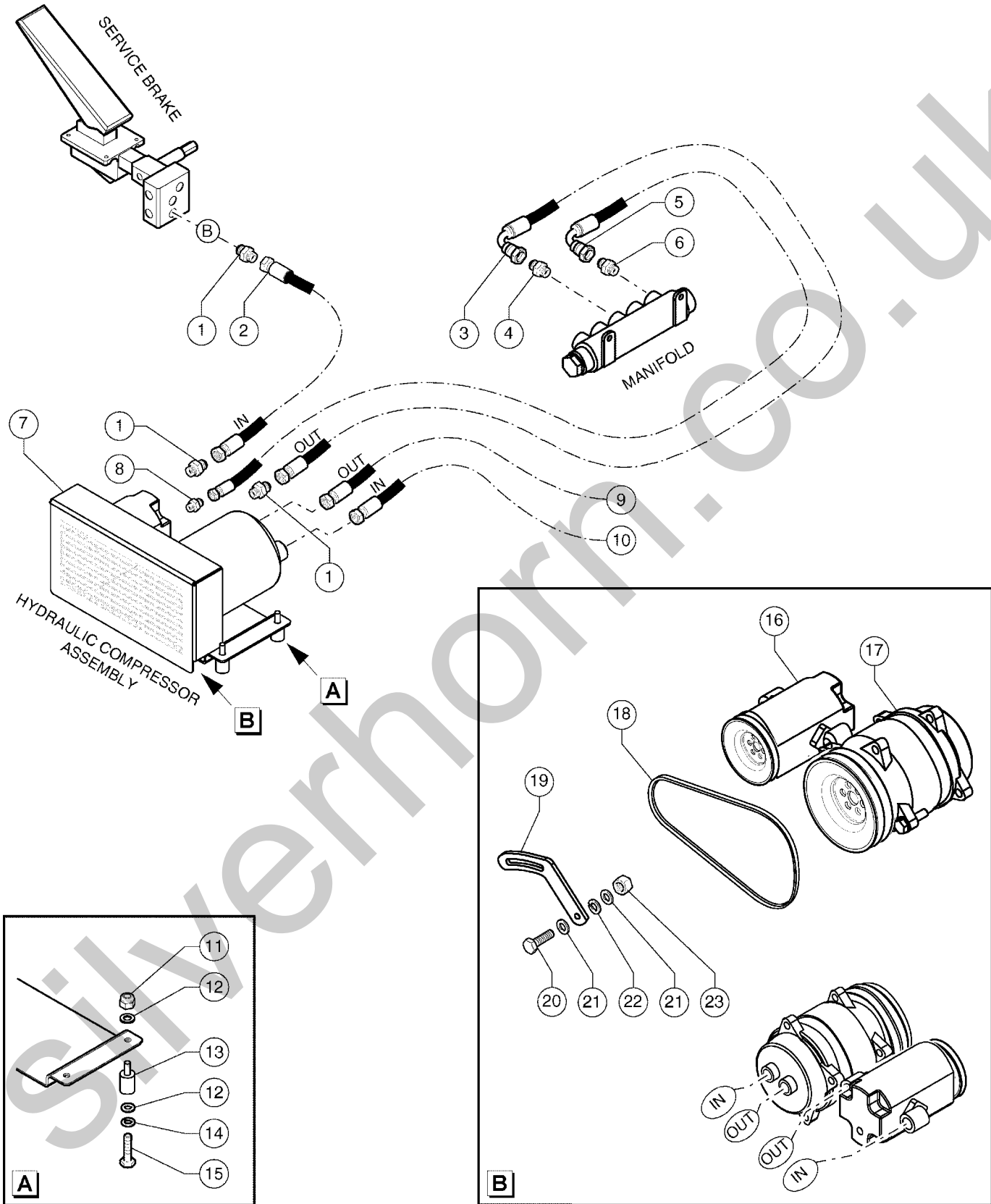
Item	Part No.	Description	Qty.	Item	Part No.	Description	Qty.
1	06.04420117GT	BONDED RING 1/4".....	2	39	56.0017.0006GT	SWITCH, COMPLETE, 2ND HYDRAULIC LINE.....	1
2	01.0031.0299GT	FLAT WASHER D8 UNI 6593 ZN.....	3	40	56.0017.0010GT	SWITCH COVER, 2ND HYDRAULIC LINE.....	1
3	04.0607.0163GT	PIPE FITTING 1/4BSPX11/16-16 ORFS.....	2	41	07.0703.0494GT	SWITCH.....	1
4	54.0001.0087GT	Pin.....	1	42	04.0600.0087GT	PIPE FITTING 90.....	2
5	04.0607.0110GT	PIPE FITTING 1/2BSP x 11/16-16 ORFS.....	2	43	04.0605.1633GT	HOSE R2X3/8 LG 1050 F90-F90 11/16-16 90.....	2
7	04.0607.0114GT	PIPE FITTING 3/8 BSPX9/16-18 ORFS.....	3				
8	04.0607.0112GT	PIPE FITTING M-M A 90 1/4 BSPX9/16-18 ORFS.....	1				
9	04.0605.1043GT	Hose R2 X 1/4 280 FD F90 9/16"-18.....	2				
10	04.0600.0069GT	PIPE FITTING CMF 1/4 ES LG 40.....	2				
11	04.0605.0113GT	HOSE R2X1/4 LG 405 FD-F90 9/16-18 ORFS.....	1				
12	04.0607.0131GT	PIPE FITTING TMF+C 9/16-18 ORFS.....	1				
13	54.0100.0094GT	Washer.....	2				
14	53.0500.0601GT	Cylinder.....	1				
15	01.4001.0078GT	SCREW M8X20 DIN 6923 8.8 ZN.....	3				
16	01.0001.0055GT	SCREW M10X25 UNI 5739 8.8 ZN.....	4				
17	01.4032.0004GT	SPRING WASHER D10 ZN.....	4				
18	01.0031.0301GT	FLAT WASHER D10 UNI 6593 ZN.....	4				
19	54.0001.0088GT	Pin.....	1				
20	01.4032.0003GT	SPRING WASHER D8 ZN.....	3				
21	04.4239.0002GT	VALVE.....	1				
22	04.0607.0132GT	PIPE FITTING 45 M-M 1/4 BSPX9/16-18 ORFS.....	1				
23	01.0003.0160GT	SCREW M6X40 UNI 5931 8.8 ZN.....	2				
24	07.4529.0107GT	SET OF GASKETS.....	1				
25	04.4240.0076GT	SOLENOID VALVE.....	1				
26	07.0701.0316GT	SOLENOID.....	2				
27	07.0701.0317GT	SINGLE VALVE BODY.....	2				
28	06.04420122GT	BONDED RING 1/2".....	6				
29	04.4210.0019GT	QUICK COUPLING, FEMALE 1/2.....	2				
30	04.4210.0018GT	QUICK COUPLING, MALE 1/2.....	2				
31	01.4003.0036GT	SCREW M8X65 UNI 5931 8.8 ZN.....	4				
32	04.0602.0613GT	HOSE R2X1/2 500 F90 F90 BSP A 270°.....	1				
33	04.0602.0615GT	HOSE R2X1/2 430 F90 BSP F90 BSP A 270°.....	1				
34	04.0600.0107GT	PIPE FITTING GMF 1/2 BSP.....	1				
35	07.0703.0430GT	SWITCH.....	1				
36	56.0017.0125GT	SYMBOL, ATTACHMENT LOCK.....	1				
37	51.0903.5155GT	Guard.....	1				
38	04.0600.0017GT	PIPE FITTING 1/2X1/2 BSP.....	4				

807.1 608997 Air Conditioning, View 1



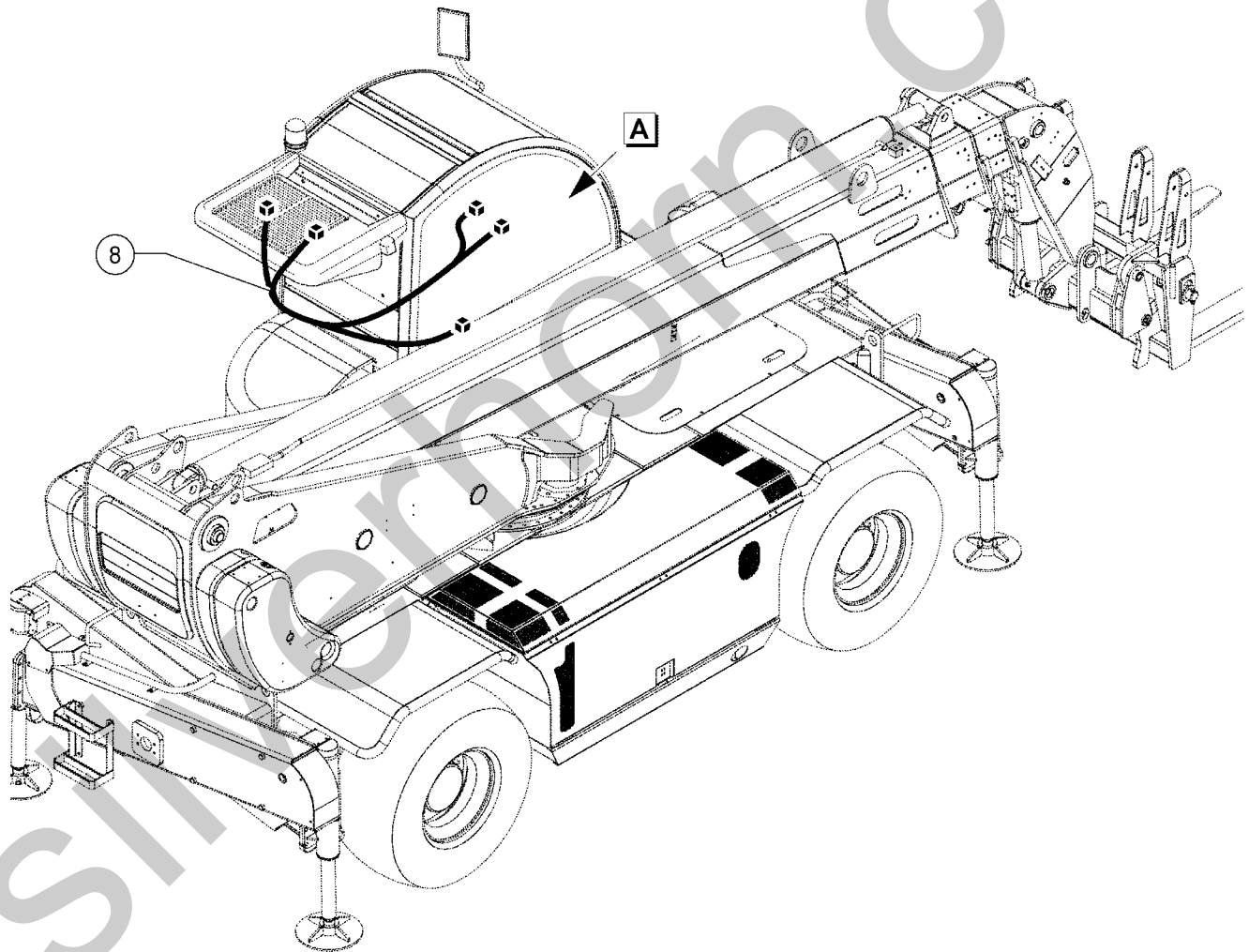
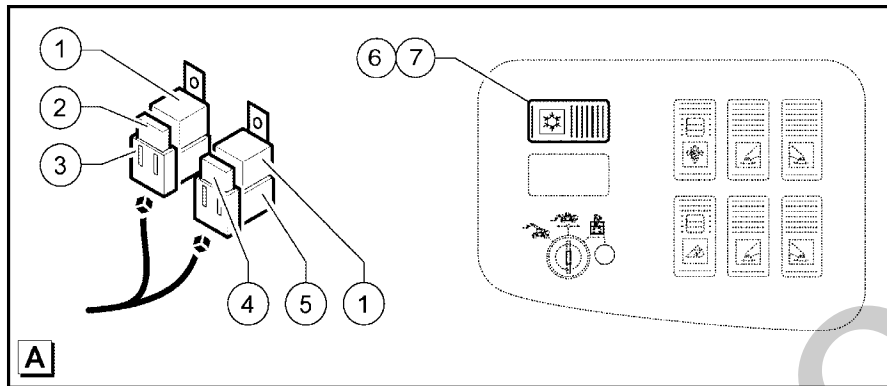
Item	Part No.	Description	Qty.
1	01.0001.0004GT	SCREW M6X20 UNI 5931 8.8 ZN.....	7
2	01.0031.0298GT	FLAT WASHER D6 UNI 6593 ZN.....	8
3	07.0740.0255GT	Guard.....	1
4	01.0023.0054GT	NUT,M8 UNI 7473 6S ZN.....	4
5	01.0031.0055GT	FLAT WASHER D8 UNI 6592 ZN.....	4
6	07.0740.0268GT	Left Bracket.....	1
7	01.0001.0099GT	Screw TE M 4X16.....	6
8	07.0740.0263GT	CONDENSER.....	1
9	07.0740.0260GT	Hose 5/16.....	1
10	07.0723.0303GT	Pressure switch.....	1
11	01.0001.0037GT	STOP NUT M6 UNI 7473 6S ZN WMAR 38.....	1
12	01.4006.0000GT	Screw TSPEI M8X25 UNI5933 10.9 ZN..	4
13	07.0740.0269GT	Right Bracket.....	1
14	01.0001.0035GT	Stop Nut M4.....	6
15	07.0740.0254GT	Filter.....	1
16	07.0740.0258GT	SCREW 4.2X13.....	8
17	07.0740.0256GT	Protection Cover.....	1
18	07.0740.0257GT	Bracket.....	1
19	07.0740.0117GT	WASHER.....	1
20	04.0227.0058GT	CLAMP DN 40/60 LG12.....	2
21	54.0100.0092GT	Spacer.....	4
22	07.0740.0261GT	HOSE..... <i>See 800 Optionals, Figure 608998 - Position 10</i>	1
23	07.0723.0317GT	HOSE..... <i>See 800 Optionals, Figure 608998 - Position 9</i>	1
24	07.0723.0319GT	Bracket.....	1
25	07.0723.0318GT	EVAPORATOR.....	1
26	07.0723.0321GT	Temperature Switch.....	1
27	07.0723.0316GT	HOSE.....	1
28	07.0723.0320GT	BRACKET.....	1
29	09.0610.0973GT	VALVE.....	1
30	07.0740.0392GT	Plate.....	1

808.1 608998 Air Conditioning, View 2



Item	Part No.	Description	Qty.
1	04.0607.0111GT	PIPE FITTING 1/2 BSPX13/16-16 ORFS.....	3
2	04.0605.0981GT	HOSE R2X1/2 LG 1400 FD-FD 13/16-16.....	1
3	04.0605.1628GT	PIPE R2 X 1/2 1300 FD F90 13/16"-16 ORFS	1
4	04.0607.0145GT	PIPE FITTING 3/8BSPX13/16-18 ORFS.....	1
5	04.0605.1044GT	HOSE R1X1/4 LG 1300 F90 9/16-18 FD 9/16-18.....	1
6	04.0607.0114GT	PIPE FITTING 3/8 BSPX9/16-18 ORFS.....	1
7	09.0803.0423GT	Complete Hydraulic Compressor.....	1
8	04.0607.0113GT	PIPE FITTING 1/4 BSPX9/16-18 ORFS.....	1
9	07.0740.0380GT	PIPE..... <i>See 800 Optionals, Figure 608997 - Position 23</i>	1
10	07.0740.0381GT	PIPE..... <i>See 800 Optionals, Figure 608997 - Position 22</i>	1
11	01.0023.0054GT	NUT,M8 UNI 7473 6S ZN.....	4
12	01.0031.0055GT	FLAT WASHER D8 UNI 6592 ZN.....	8
13	07.0711.0448GT	Vibration Damper.....	4
14	01.4032.0003GT	SPRING WASHER D8 ZN.....	4
15	01.0001.0254GT	SCREW M8X20 UNI 5739 8.8 ZN.....	4
16	07.0711.0447GT	Hydraulic Motor.....	1
17	07.0711.0444GT	Compressor.....	1
18	07.0711.0446GT	Belt.....	1
19	07.0711.0445GT	Belt Tensioner.....	1
20	01.0001.0358GT	SCREW M10X40 UNI 5739 8.8 ZN.....	2
21	01.0031.0056GT	FLAT WASHER D10 UNI 6592 ZN.....	4
22	01.4032.0004GT	SPRING WASHER D10 ZN.....	2
23	01.4019.0001GT	Nut M10 UNI 5588 6SZN.....	2

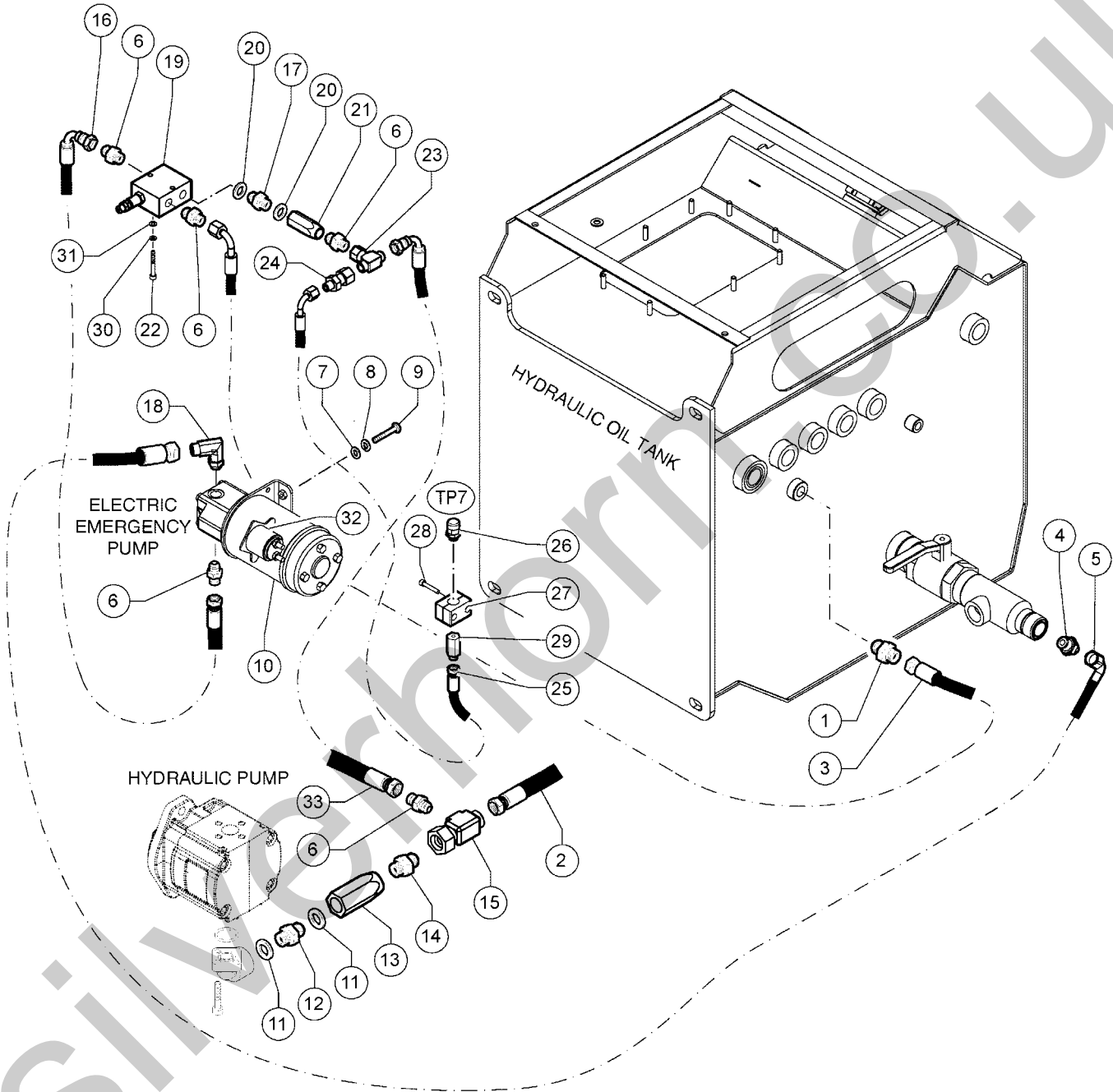
809.1 608999 Air Conditioning, View 3



SHIMCO.CO.UK

Item	Part No.	Description	Qty.
1	07.0703.0486GT	RELAY.....	2
2	07.0703.0148GT	FUSE,10A.....	1
3	56.0005.0009GT	FUSE HOLDER.....	2
4	634976GT	FUSE.....	1
5	07.0703.0188GT	RELAY HOLDER.....	2
6	07.0703.0431GT	SWITCH.....	1
7	07.0703.0462GT	Air Conditioning Glass Switch.....	1
8	55.0602.0288GT	AIR CONDITIONING WIRING HARNESS.....	1

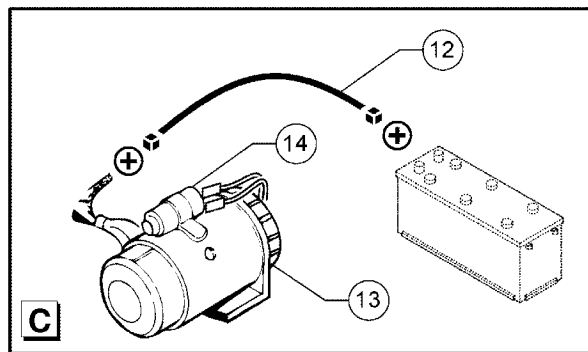
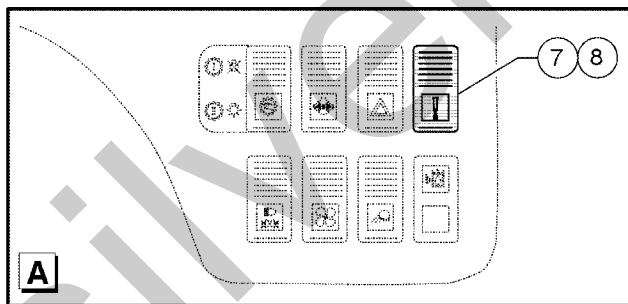
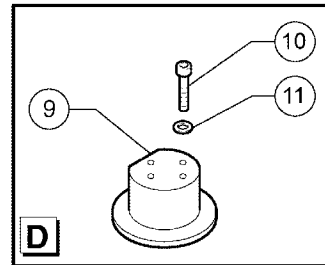
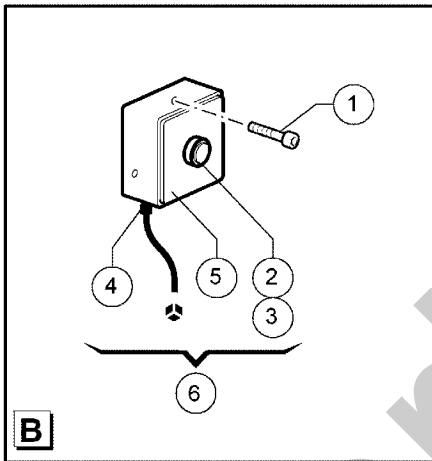
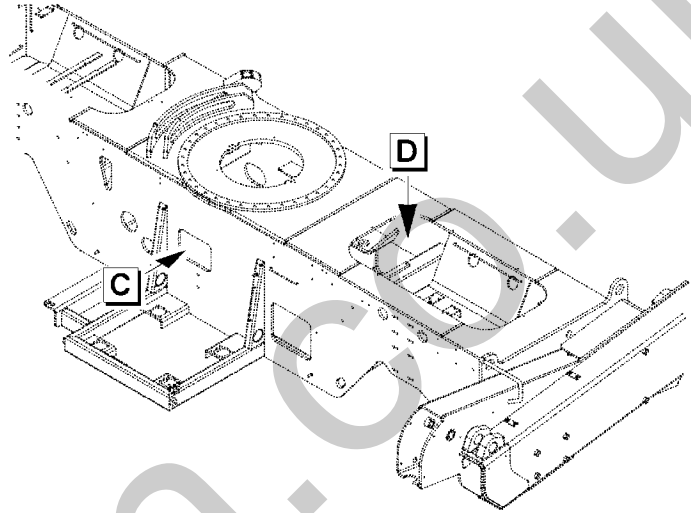
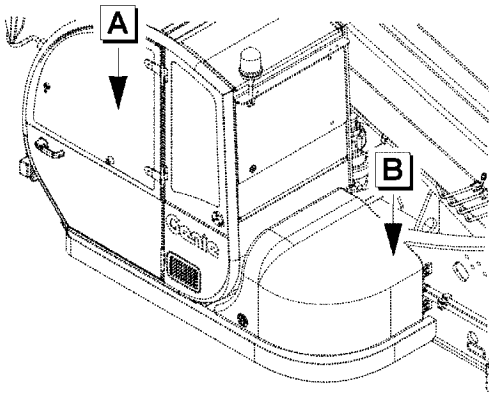
810.1 609000 Man Platform Predisposition - Emergency Pump, View 1



810.1 609000 Man Platform Predisposition - Emergency Pump, View 1

Item	Part No.	Description	Qty.
1	04.0607.0110GT	PIPE FITTING 1/2BSP x 11/16-16 ORFS.....	1
2		See 600 Hydraulic System, Figure 608969 - Position 16	
3	04.0605.0980GT	Hose R1 x 3/8 LG 2700 F90 FD 11/16"-16.....	1
4	04.0607.0111GT	PIPE FITTING 1/2 BSPX13/16-16 ORFS.....	1
5	04.0605.0978GT	Flexible Hose R1 X 1/2 2600 F90 FD13/16"-16.....	1
6	04.0607.0117GT	PIPE FITTING 3/8BSPX11/16-16 ORFS.....	5
7	01.0031.0056GT	FLAT WASHER D10 UNI 6592 ZN.....	2
8	01.4032.0004GT	SPRING WASHER D10 ZN.....	2
9	01.0001.0605GT	SCREW M14X35 UNI 5739 8.8 ZN.....	2
10	04.4238.0078GT	ELECTRIC PUMP.....	1
11	06.0442.0124GT	BONDED RING 3/4.....	2
12	04.0600.0046GT	PIPE FITTING 3/4X 3/4 BSP.....	1
13	04.4239.0012GT	SAFETY VALVE.....	1
14	04.0607.0107GT	PIPE FITTING 3/4BSP X1"3/16-12 ORFS.....	1
15	04.0607.0170GT	PIPE FITTING TMF+L 1"3/16-12 ORFS 3/8".....	1
16	04.0605.0174GT	Hose R2 X 3/8 LG.600 FD F90 11/16-16 ORFS.....	1
17	04.0600.0029GT	PIPE FITTING 3/8X3/8 BSP.....	1
18	04.0607.0814GT	Elbow 90° M3/4-16 UNF 11/16-16 ORFS.....	1
19	04.4225.0001GT	VALVE.....	1
20	06.0442.0120GT	BONDED RING 3/8".....	2
21	04.4239.0032GT	VALVE.....	2
22	01.0003.0162GT	SCREW M6X50 UNI 5931 8.8 ZN.....	1
23	04.0607.0162GT	Pipe Fitting TMF+C 11/16-16 ORFS.....	1
24	04.0607.0233GT	Nipple GMF F 11/16-16 ORFS X M 9/16-18.....	1
25	04.0605.1353GT	Hose R2 X 1/4 L 800 90 FEM STR FEM 9/16"-18.....	1
26	04.4210.0005GT	TEST PORT MCS M14X1,5.....	1
27	09.0803.0031GT	SINGLE HOSE BRACKET D20.....	1
28	01.0003.0159GT	SCREW M6X35 UNI 5931 8.8 ZN.....	2
29	04.0600.0069GT	PIPE FITTING CMF 1/4 ES LG 40.....	1
30	01.4032.0002GT	SPRING WASHER D6 ZN.....	2
31	01.0031.0054GT	FLAT WASHER D6 UNI 6592 ZN.....	2
32	62412GT	SOLENOID,MOTOR START,60511,APU.....	1
33	04.0605.0739GT	HOSE R2 X 3/8 LG. 1500 F90 SF 11/16-16ORFS.....	1

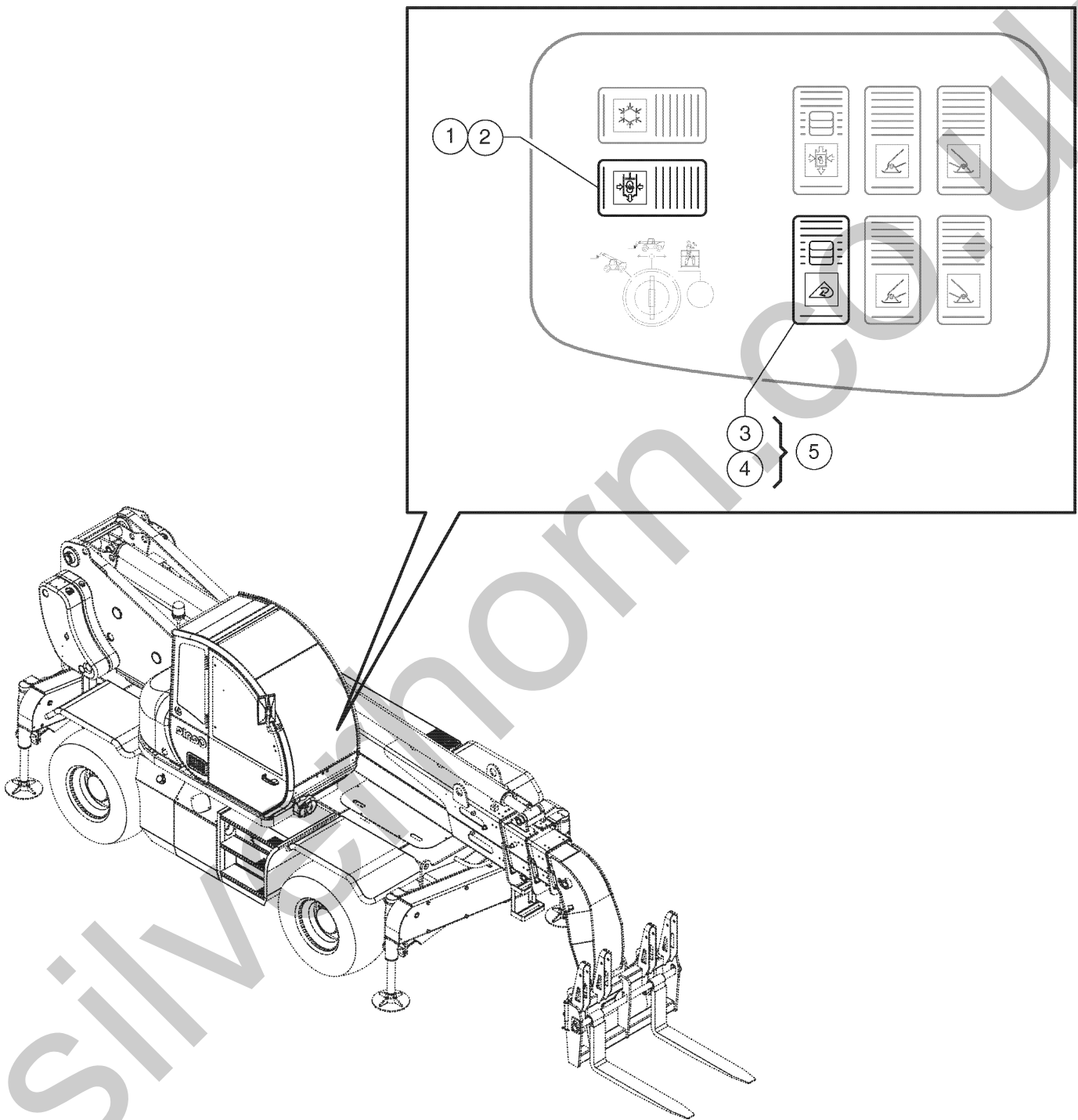
811.1 609001 Man Platform Predisposition - Emergency Pump, View 2



811.1 609001 Man Platform Predisposition - Emergency Pump, View 2

Item	Part No.	Description	Qty.
1	01.4001.0061GT	SCREW M4X20 UNI 7687 ZN.....	2
2	54.0017.0098GT	Push Button.....	1
3	07.0703.0532GT	CONTACT.....	1
4	56.0007.0010GT	CABLE GLAND.....	1
5	56.0021.0023GT	BOX, EMERGENCY BUTTON.....	1
6	55.0602.0290GT	SWITCH ASSY,EMERGENCY PUMP.....	1
7	07.0703.0430GT	SWITCH.....	1
8	07.0703.0440GT	SYMBOL,EMERGENCY PUMP.....	1
9	56.0012.0048GT	INCLINOMETER.....	1
10	01.4003.0000GT	SCREW M4X16 UNI 5931 8.8 ZN.....	3
11	01.4032.0011GT	SPRING WASHER D4 ZN.....	3
12	55.0602.0508GT	BATTERY POSITIVE HARNESS.....	1
13	04.4238.0078GT	ELECTRIC PUMP.....	1
14	62412GT	SOLENOID,MOTOR START,60511,APU.....	1

812.1 609002 Mixing Bucket Predisposition

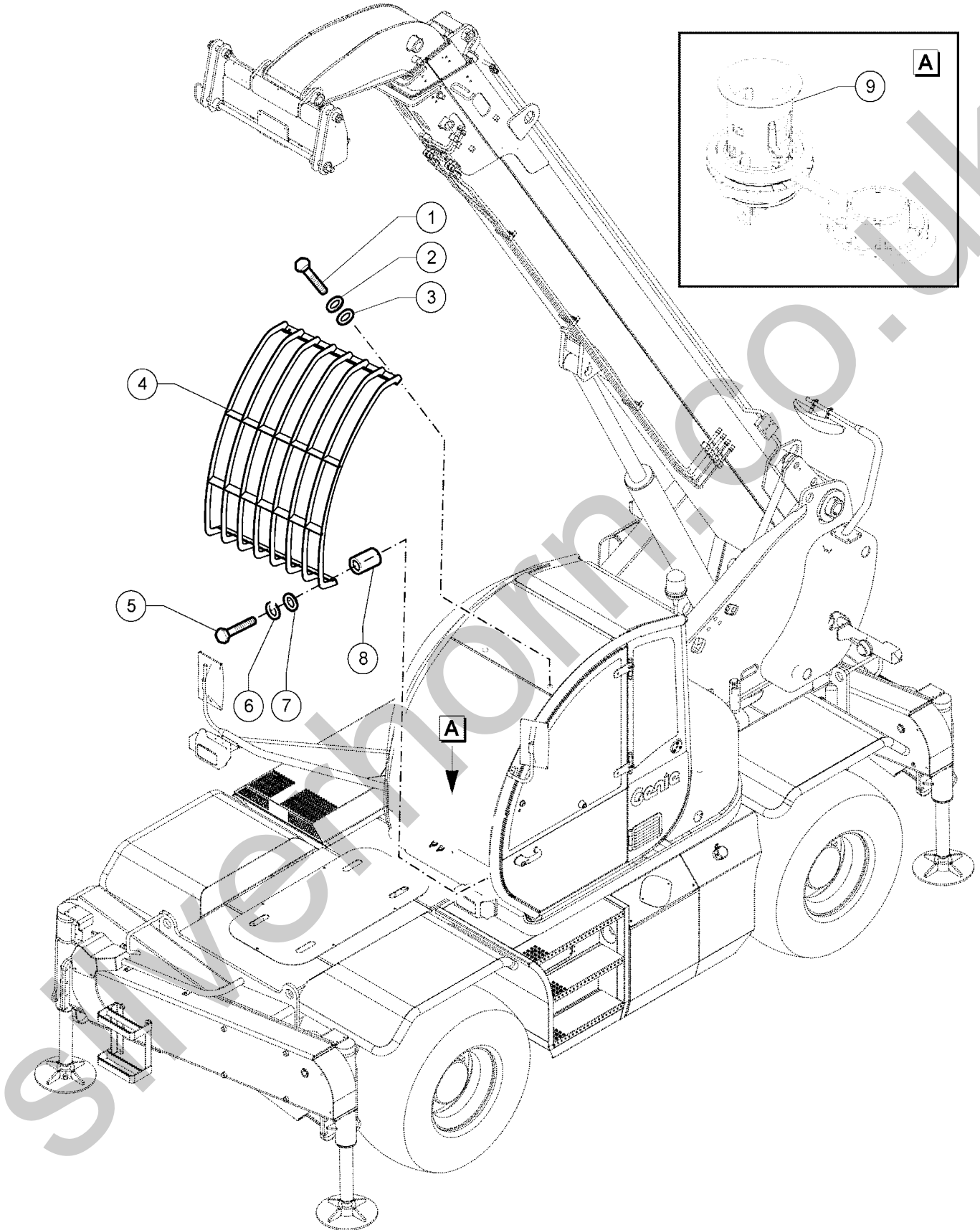


812.1 609002 Mixing Bucket Predisposition

Item	Part No.	Description	Qty.
1	56.0017.0012GT	SWITCH	1
2	56.0017.0008GT	Hydraulic Flow Direction Symbol.....	1
3	07.0703.0494GT	SWITCH.....	1
4	56.0017.0074GT	Mixing Bucket - Symbol.....	1
5	56.0017.0007GT	Switch Complete.....	1

Silverhorn.CO.UK

813.1 609003 Windscreen Protection and Power Pack

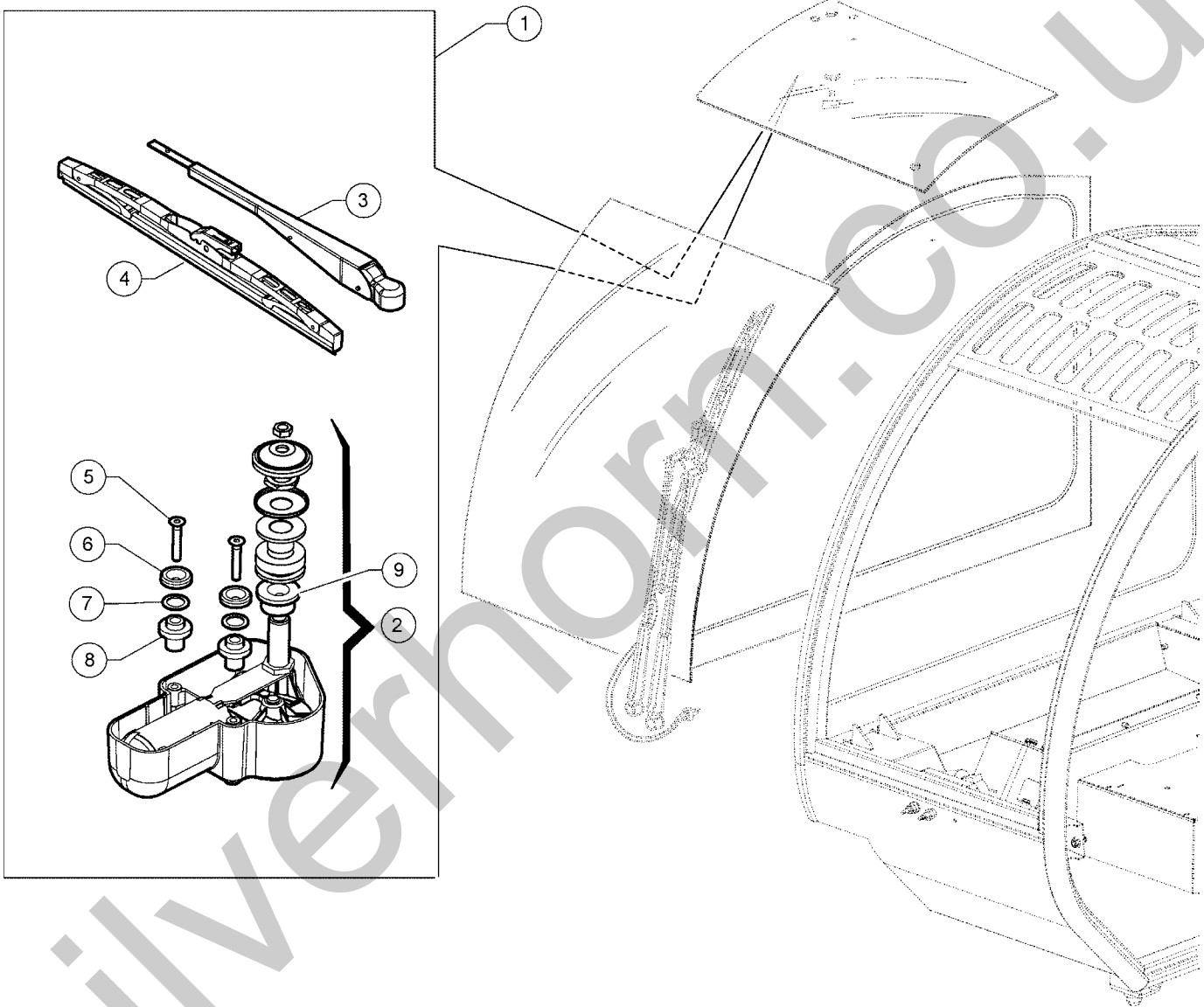


813.1 609003 Windscreen Protection and Power Pack

Item	Part No.	Description	Qty.
1	01.0001.0505GT	SCREW M12X25 UNI 5739 8.8 ZN.....	2
2	01.4032.0005GT	SPRING WASHER D12 ZN.....	2
3	01.0031.0057GT	WASHER,D12 UNI 6592 ZN.....	2
4	51.0903.5194GT	Cabin Protection Grid.....	1
5	01.0001.0304GT	SCREW M10X50 UNI 5739 8.8 ZN.....	2
6	01.4032.0004GT	SPRING WASHER D10 ZN.....	2
7	01.0031.0301GT	FLAT WASHER D10 UNI 6593 ZN.....	2
8	54.0101.0019GT	Spacer.....	2
9	55.0602.0797GT	POWER PACK.....	1

Silverhorn.CO.UK

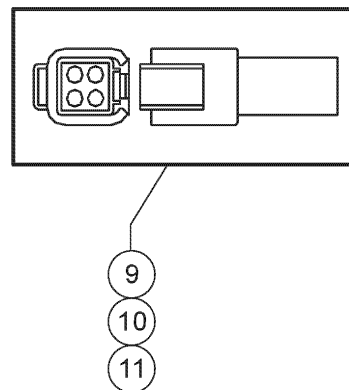
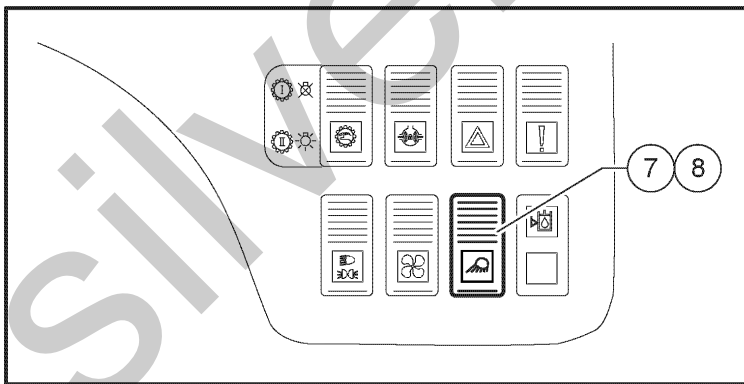
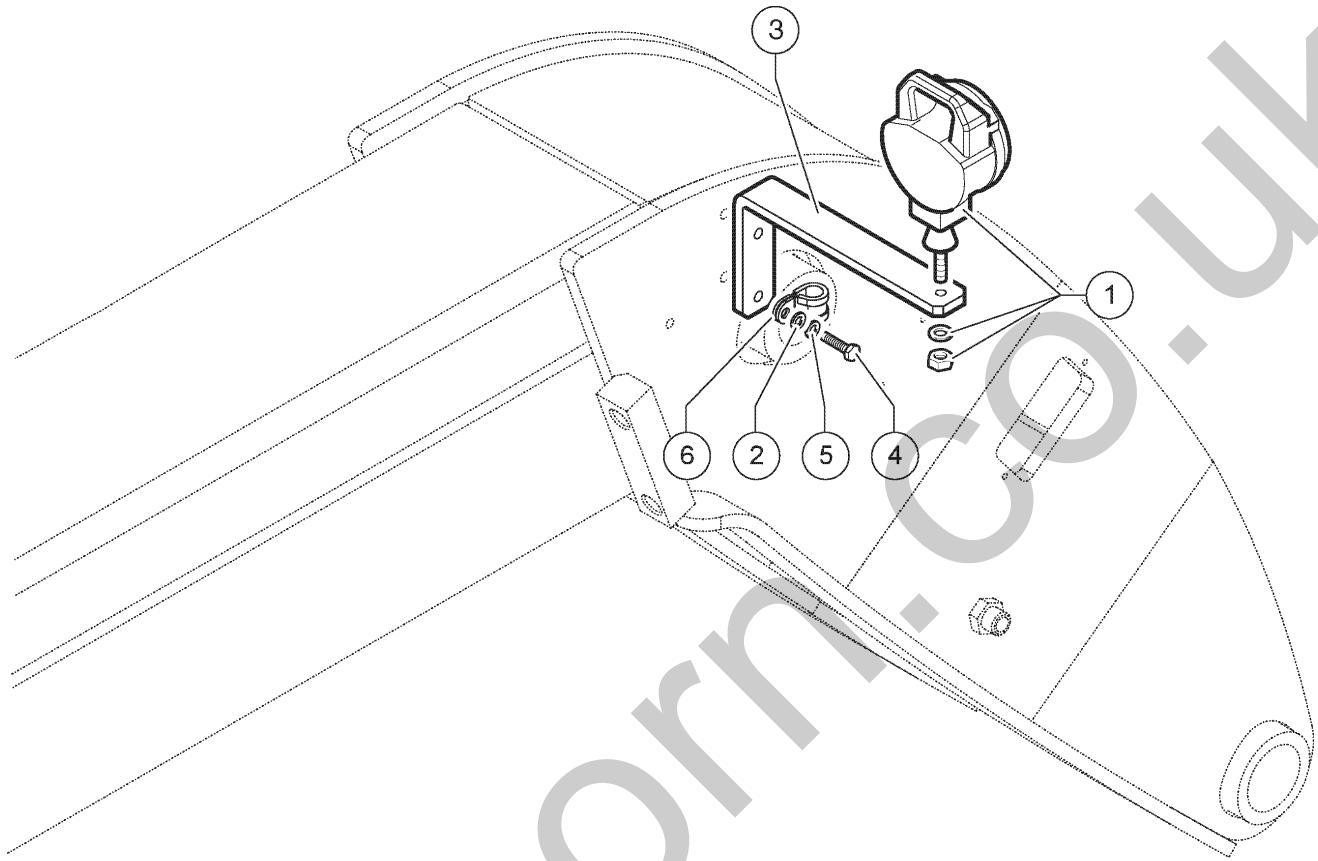
814.1 609004 Windscreen Wiper



814.1 609004 Windscreen Wiper

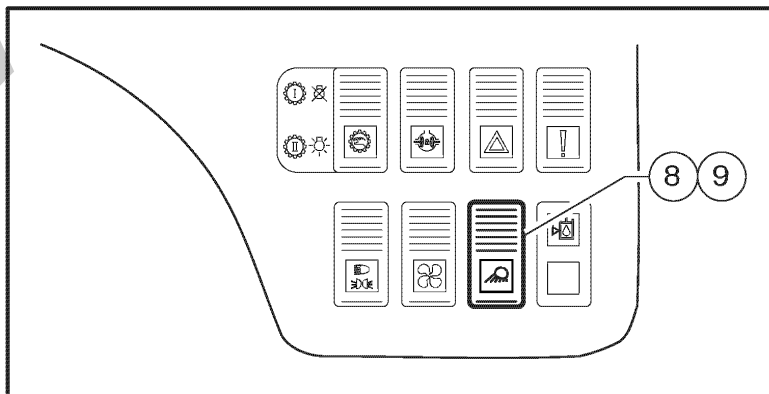
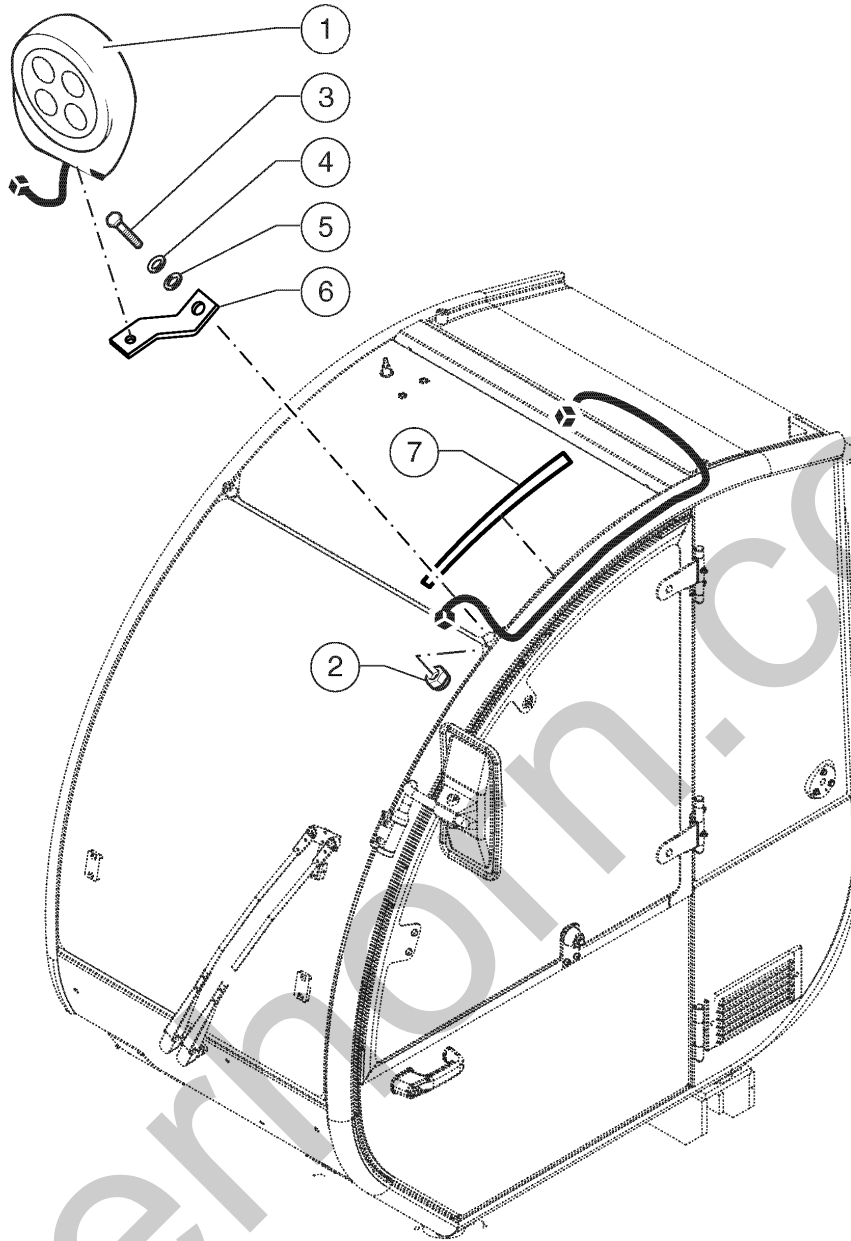
Item	Part No.	Description	Qty.
1	09.0803.0715GT	Roof Wiper Kit.....	1
2	07.0740.0506GT	Wiper Motor Kit..... <i>Excluded Item 5, 6, 7, 8, 9</i>	1
3	07.0740.0508GT	Arm.....	1
4	07.0740.0509GT	Blade.....	1
5	07.0740.0507GT	Screw TSPEI M6X35 UNI 5933.....	2
6	07.0740.0502GT	Spicer D24.....	2
7	07.0740.0503GT	Seal D16.....	2
8	07.0740.0504GT	Bushing.....	2
9	07.0740.0505GT	Bushing.....	1

815.1 609005 Boom Work Light



Item	Part No.	Description	Qty.
1	56.0017.0124GT	Work Light.....	1
2	01.0031.0055GT	FLAT WASHER D8 UNI 6592 ZN.....	2
3	51.0811.4490GT	WORKING LIGHT BOOM SUPPORT.....	1
4	01.0001.0252GT	SCREW M8X16 UNI 5739 8.8 ZN.....	2
5	01.4032.0003GT	SPRING WASHER D8 ZN.....	2
6	04.4227.0003GT	CLAMP D16 HOLE 8.4.....	1
7	07.0703.0433GT	SWITCH.....	1
8	56.0017.0032GT	Work Lights - Symbol.....	1
9	56.0002.0139GT	CONNECTOR,4 WAY,FEMALE.....	1
10	56.0002.0140GT	4 Way Female Connector Holding Plate.....	1
11	73713GT	TERM,NI PIN,S&F,16-18GA,REEL.....	4

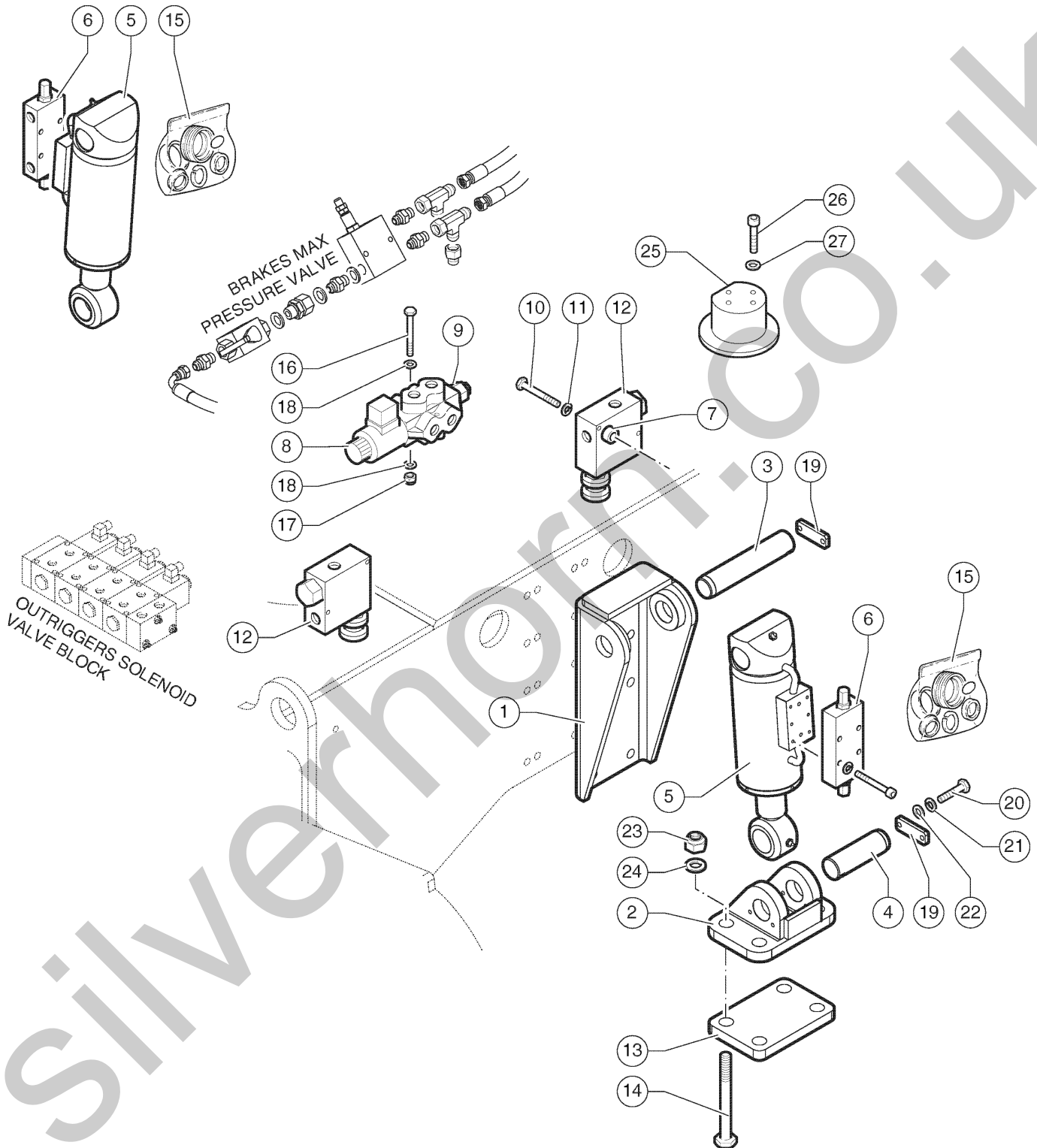
816.1 609006 Cabin Work Light



Silverline.co.uk

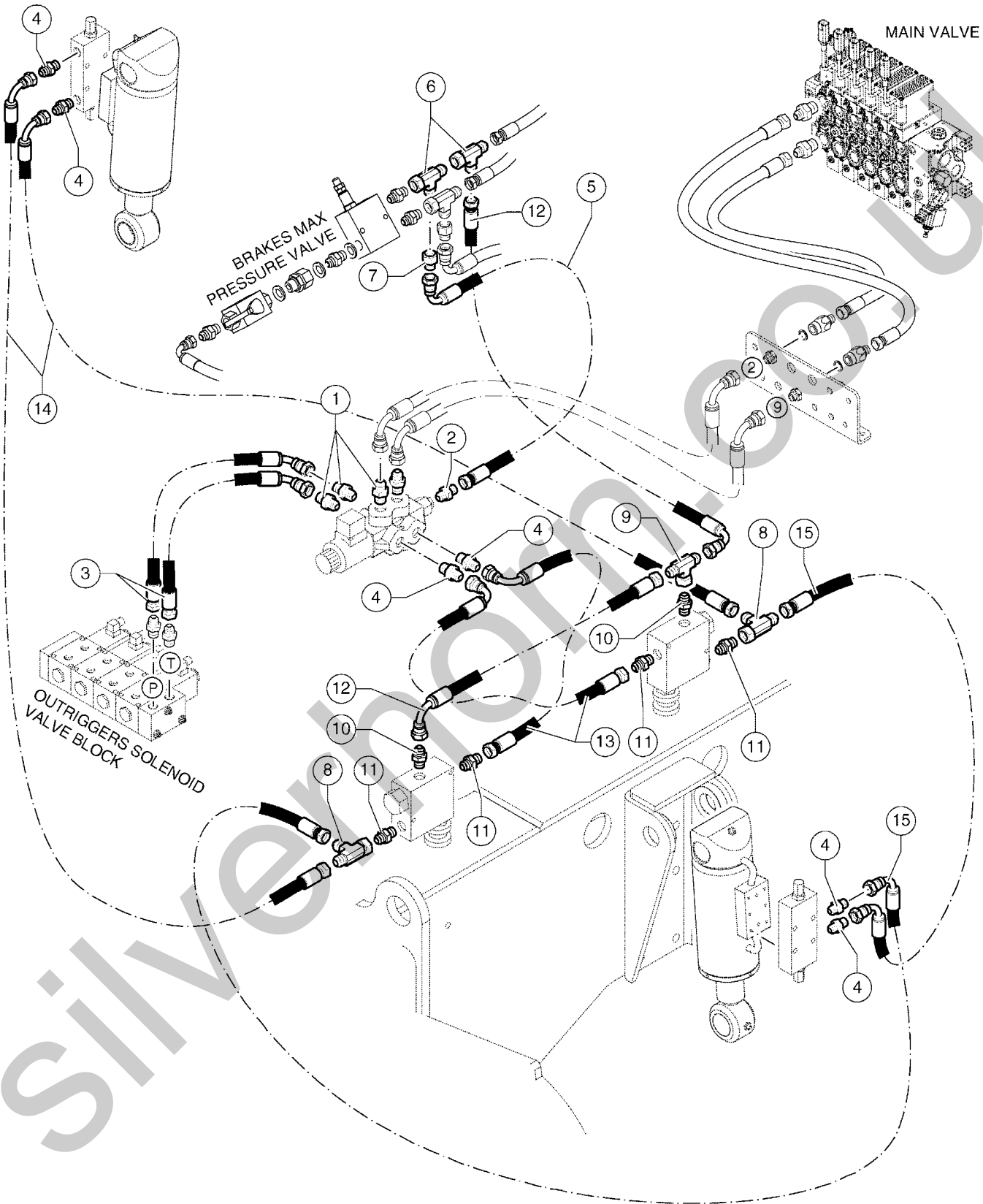
Item	Part No.	Description	Qty.
1	56.0017.0124GT	Work Light.....	1
2	01.0023.0054GT	NUT,M8 UNI 7473 6S ZN.....	1
3	01.0001.0256GT	SCREW M8X25 UNI 5739 8.8 ZN.....	1
4	01.4032.0003GT	SPRING WASHER D8 ZN.....	1
5	01.0031.0055GT	FLAT WASHER D8 UNI 6592 ZN.....	1
6	51.0811.4727GT	Cable Guide Bracket.....	1
7	09.0803.0052GT	GASKET.....	0.5-m
8	07.0703.0433GT	SWITCH.....	1
9	56.0017.0032GT	Work Lights - Symbol.....	1

817.1 609007 Chassis Levelling, View 1



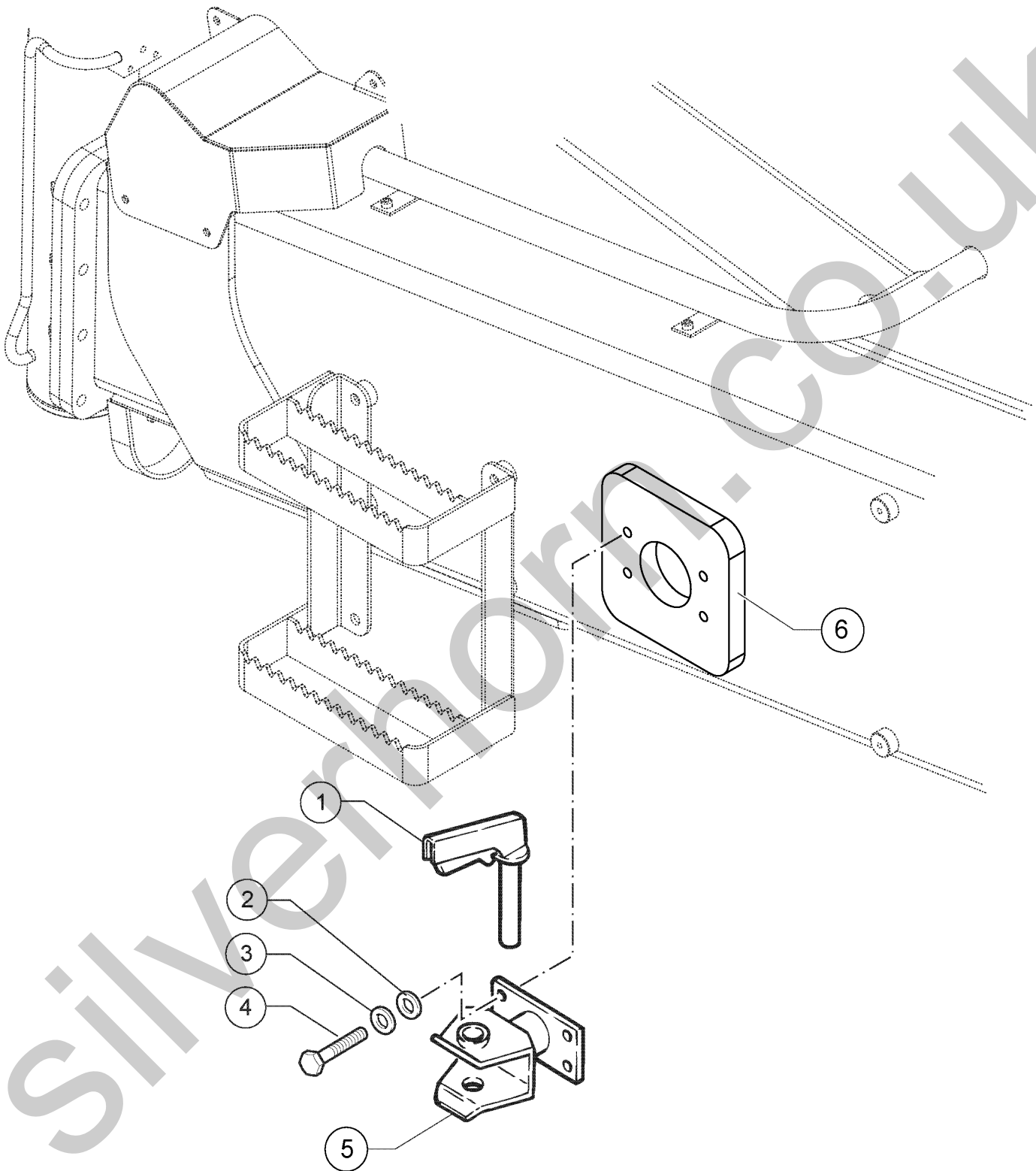
Item	Part No.	Description	Qty.
1	51.0811.4634GT	Foot Cylinder Support.....	2
2	51.0811.4635GT	Head Cylinder Support.....	2
3	54.0002.0043GT	Foot Cylinder Pin.....	2
4	54.0002.0044GT	Head Cylinder Pin.....	2
5	53.0600.1813GT	REAR AXLE LOCK CYLINDER.....	2
6	04.4239.0080GT	SAFETY VALVE.....	2
7	54.0101.0002GT	SPACER D 22/8.5 LG8.....	4
8	04.4240.0077GT	Solenoid Valve.....	1
9	07.0704.0428GT	Solenoid DEUTSCH.....	1
10	01.0001.0108GT	SCREW M6X60 UNI 5737 8.8 ZN.....	4
11	01.4032.0002GT	SPRING WASHER D6 ZN.....	4
12	04.4239.0140GT	Valve.....	2
13	51.0811.0002GT	PLATE.....	2
14	01.4001.0100GT	Screw TE M24X280 UNI 5737 8.8 ZN....	8
15	636519GT	KIT CYLINDER GASKETS.....	2
16	01.0001.0106GT	SCREW M6X50 UNI 5737 8.8 ZN.....	2
17	01.0023.0053GT	STOP NUT M6 UNI 7473 6S ZN.....	2
18	01.0031.0054GT	FLAT WASHER D6 UNI 6592 ZN.....	4
19	51.0811.4636GT	Pin Holder.....	4
20	01.0001.0254GT	SCREW M8X20 UNI 5739 8.8 ZN.....	8
21	01.4032.0003GT	SPRING WASHER D8 ZN.....	8
22	01.0031.0299GT	FLAT WASHER D8 UNI 6593 ZN.....	8
23	01.0023.0062GT	STOP NUT M24 UNI 7473 6S ZN.....	8
24	01.0031.0063GT	FLAT WASHER D24 UNI 6592 ZN.....	8
25	56.0012.0048GT	INCLINOMETER.....	1
26	01.4003.0000GT	SCREW M4X16 UNI 5931 8.8 ZN.....	3
27	01.4032.0011GT	SPRING WASHER D4 ZN.....	3

818.1 609008 Chassis Levelling, View 2



Item	Part No.	Description	Qty.
1	04.0607.0145GT	PIPE FITTING 3/8BSPX13/16-18 ORFS.....	4
2	04.0607.0113GT	PIPE FITTING 1/4 BSPX9/16-18 ORFS.....	1
3	04.0605.1634GT	HOSE R2X1/2 LG 600 F45-FD 13/16-16 ORFS.....	2
4	04.0607.0117GT	PIPE FITTING 3/8BSPX11/16-16 ORFS.....	6
5	04.0605.1625GT	FLEXIBLE HOSE R1 X 1/4 LG. 400 FD F90 9/16-18 ORFS.....	1
6	04.0607.0122GT	PIPE FITTING TMF+L 13/16-16 ORFS...2	
7	04.0607.0797GT	PIPE FITTING F 13/16-16 ORFS-M 9/16-18 ORFS.....	2
8	04.0607.0164GT	PIPE FITTING TMF+L 11/16-16 ORFS...2	
9	04.0607.0126GT	PIPE FITTING TMF+C 13/16-16 ORFS...1	
10	04.0607.0111GT	PIPE FITTING 1/2 BSPX13/16-16 ORFS.....	1
11	04.0607.0110GT	PIPE FITTING 1/2BSP x 11/16-16 ORFS.....	1
12	04.0605.0484GT	Flexible Hose R1 X 1/2" Lg. 500 F90 - FD 13/16"-16 ORFS.....	2
13	04.0605.0430GT	HOSE R2 X 3/8 LG 550 F90-FD 11/16-16 ORFS.....	2
14	04.0605.0440GT	HOSE R2X3/8 LG 1900 F90-FD 11/16-16 ORFS.....	2
15	04.0605.1627GT	HOSE R2X3/8 LG 1200 FD-F90 11/16-16 ORFS.....	2

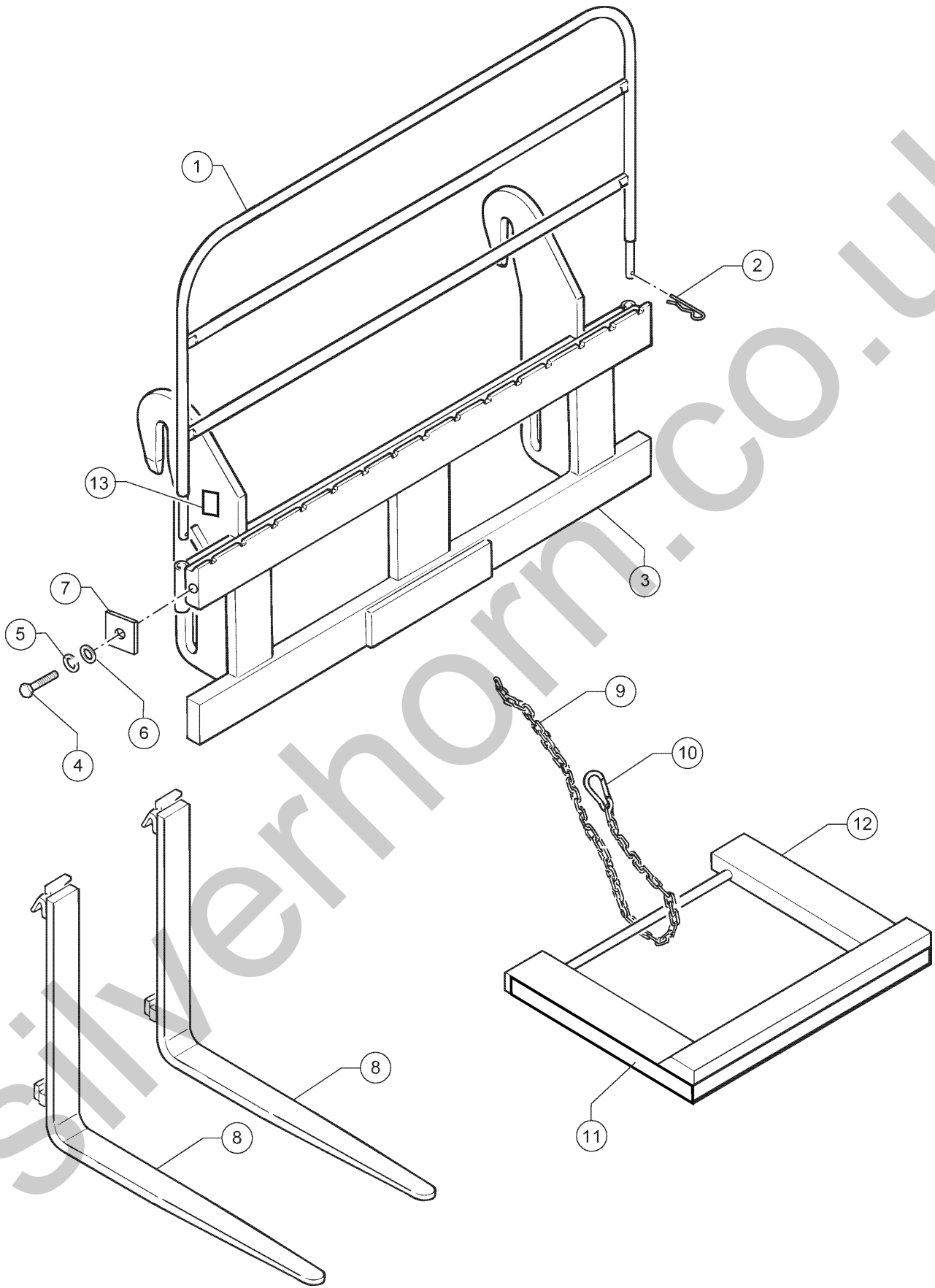
819.1 609009 Twing Hitch



Item	Part No.	Description	Qty.
1	09.0803.0039GT	PIN/DOWEL HOOK.....	1
2	01.0031.0058GT	FLAT WASHER D14 UNI 6592 ZN.....	4
3	01.4032.0006GT	SPRING WASHER D14 ZN.....	4
4	01.0001.0606GT	SCREW M14X40 UNI 5739 8.8 ZN.....	4
5	09.0803.0038GT	TOWING HOOK.....	1
6	51.0811.4083GT	Braket Hook.....	1

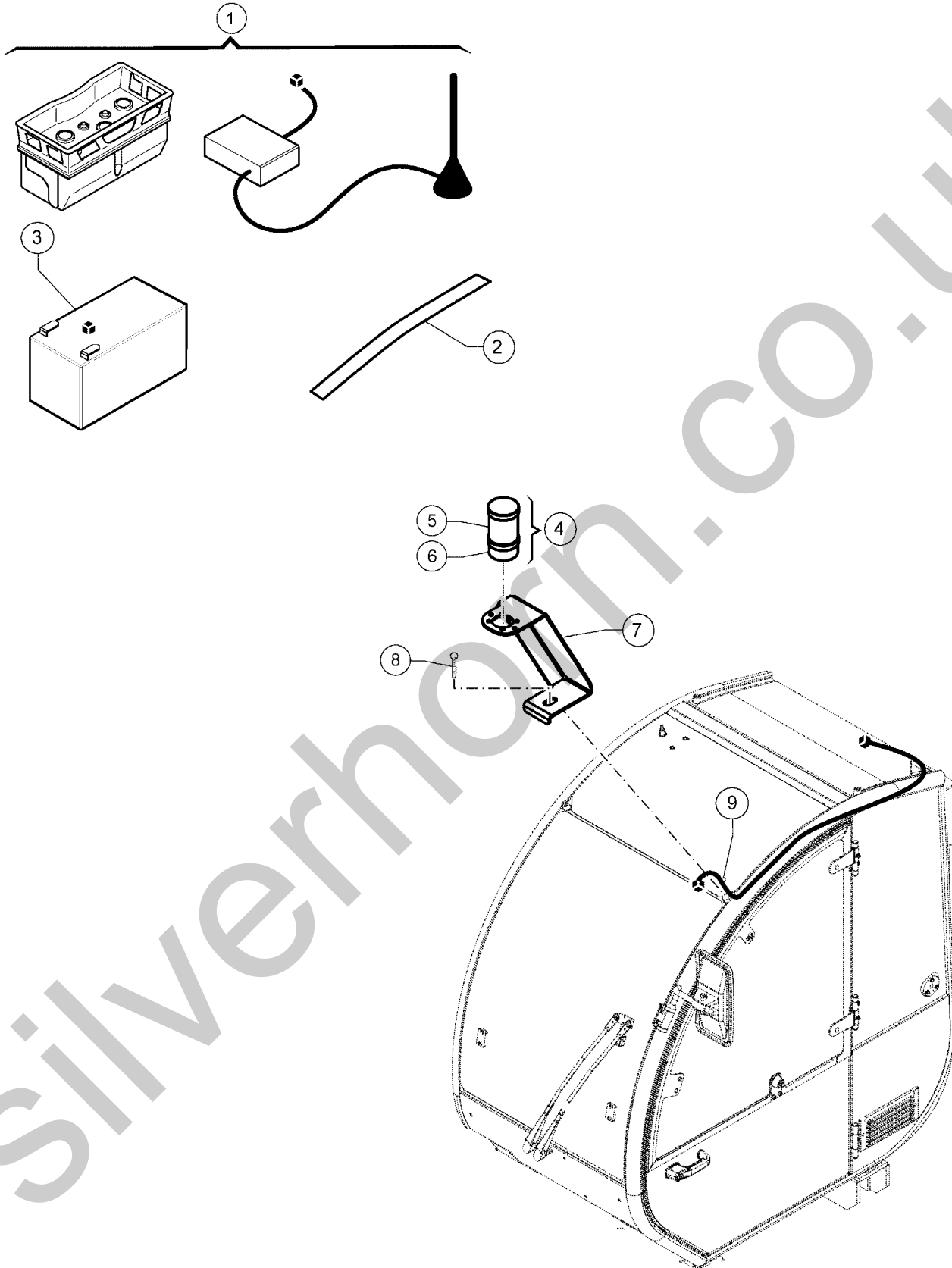
Silverhorn.CO.UK

820.1 609010 Fem 3 Forks



Item	Part No.	Description	Qty.
1	51.1300.0700GT	Guard.....	1
2	09.0803.0026GT	SPRING SPLIT PIN.....	2
3	51.1301.9158GT	Plate.....	1
4	01.0001.0256GT	SCREW M8X25 UNI 5739 8.8 ZN.....	2
5	01.4032.0003GT	SPRING WASHER D8 ZN.....	2
6	01.0031.0055GT	FLAT WASHER D8 UNI 6592 ZN.....	2
7	51.1300.0100GT	Stop Guard.....	2
8	09.0803.0070GT	Fem 3A Fork 150x50 L=1200.....	2
9	09.0803.0068GT	Chain.....	1.2-m
10	09.0803.0069GT	CLAMP,DOUBLE,D16.....	1
11	09.4618.0093GT	REFLECTIVE DECAL,WHITE/RED.....	3.1-m
12	51.1300.0300GT	Guard.....	1
13	09.4616.0109GT	FORKS CE PLATE.....	1

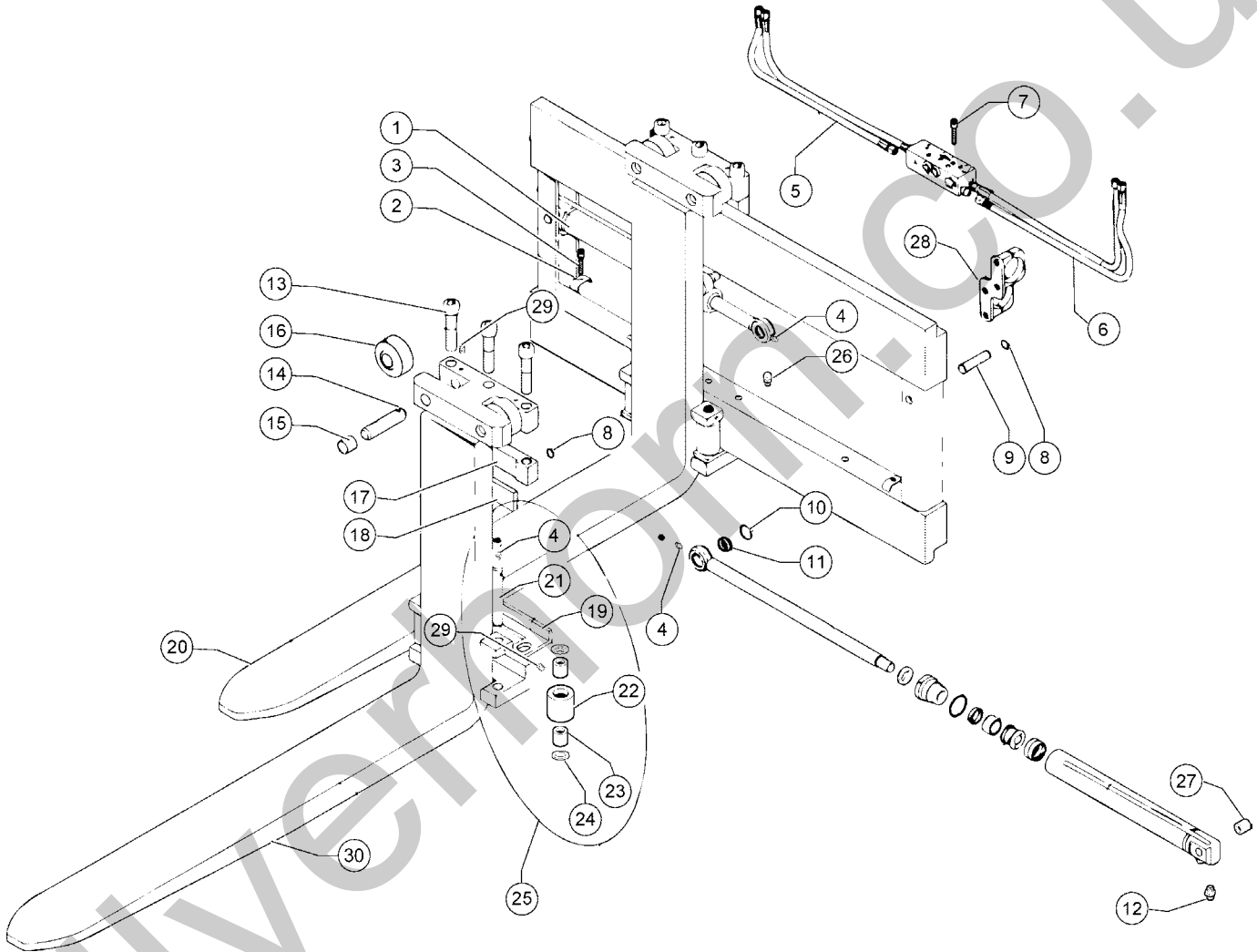
821.1 609011 Remote Radio Control And Green Light



821.1 609011 Remote Radio Control And Green Light

Item	Part No.	Description	Qty.
1	56.0024.0027GT	Remote Control Kit.....	1
2	09.0803.0148GT	ADHESIVE GASKET,SEAL 30MM...0.5-m	
3	56.0008.5215GT	Backup Battery 12V 1,2Ah.....	1
4	56.0010.0088GT	GREEN LIGHT.....	1
5	56.0010.0082GT	GREEN LIGHT ELEMENT.....	1
6	56.0010.0098GT	BASE LIGHT ELEMENT..... <i>With Cover</i>	1
7	51.0811.4873GT	ROAD LIGHT SUPPORT.....	1
8	01.4001.0116GT	SCREW TCB T 3.9X16 UNI 6954.....	4
9	55.0602.1089GT	WIRING.....	1

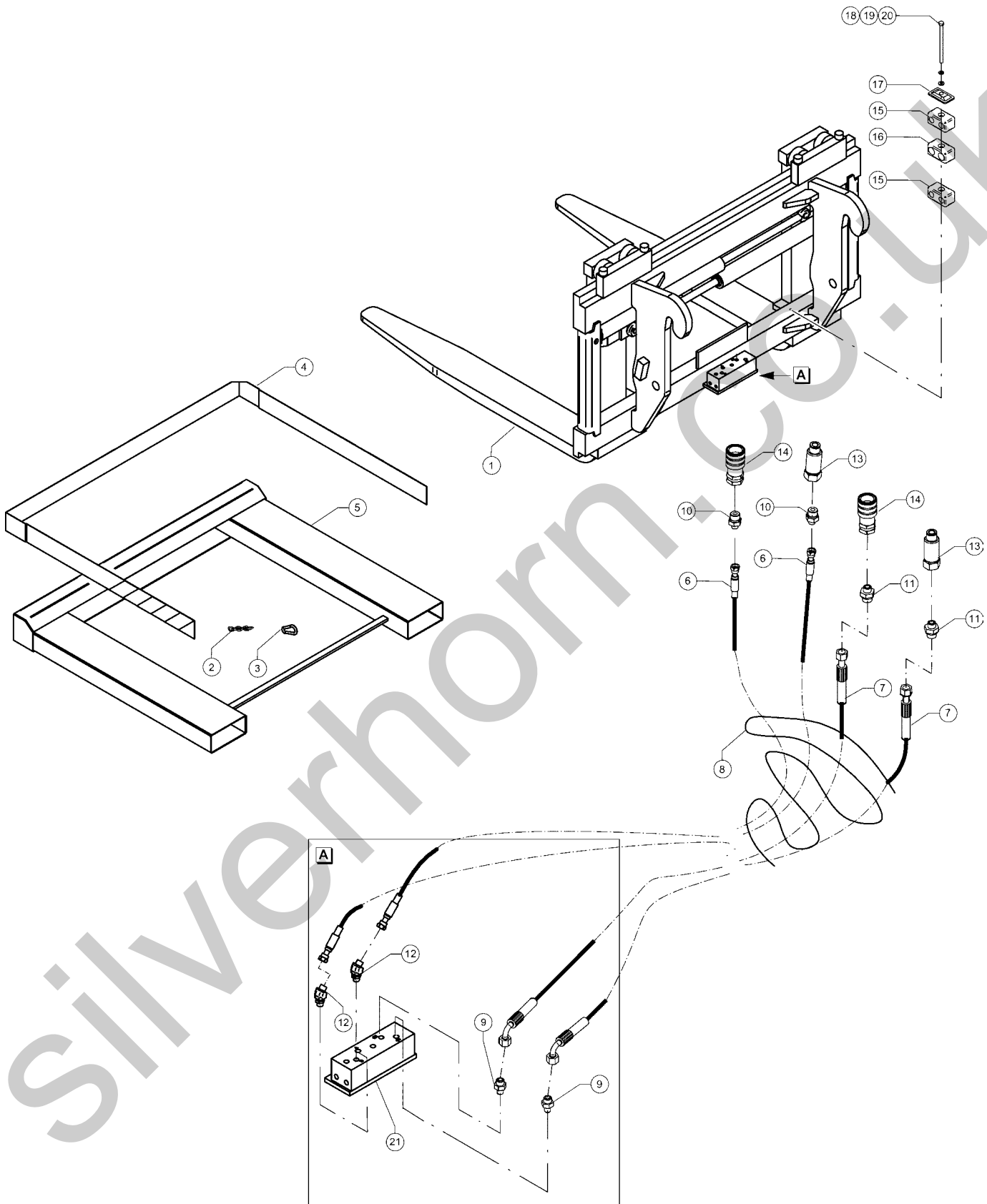
822.1 609012 Fork Side Shift And Positioner - Part 1



822.1 609012 Fork Side Shift And Positioner - Part 1

Item	Part No.	Description	Qty.
1	07.0735.0182GT	Complete Cylinder.....	2
2	07.0735.0183GT	Clamp.....	4
3	07.0735.0184GT	Screw M6x25.....	4
4	02.0117.0051GT	GREASE NIPPLE M6.....	6
5	07.0735.0185GT	Hose.....	2
6	07.0735.0186GT	Hose.....	2
7	01.4003.0015GT	Screw TCEI M6x55.....	2
8	07.0735.0188GT	Seeger Circlip.....	4
9	07.0735.0189GT	Bolt.....	2
10	07.0735.0190GT	Seeger Circlip.....	2
11	07.0735.0191GT	Joint.....	2
12	07.0735.0192GT	Nipple.....	4
13	07.0735.0193GT	Screw TCEI M20x90.....	6
14	07.0735.0194GT	Rod.....	4
15	07.0735.0195GT	Bush.....	4
16	07.0735.0196GT	Supporting Roller.....	4
17	07.0735.0197GT	Holder.....	2
18	07.0735.0198GT	Wear Plate.....	4
19	07.0735.0199GT	Wear Plate.....	2
20	07.0735.0200GT	Complete Fork.....	2
21	07.0735.0201GT	Rod.....	4
22	07.0735.0202GT	Supporting Roller.....	4
23	07.0735.0203GT	Bush.....	8
24	07.0735.0204GT	Sealing.....	8
25	07.0735.0205GT	Complete Roller.....	2
26	07.0735.0206GT	Plug.....	4
27	07.0735.0207GT	Bush.....	2
28	07.0735.0208GT	Cylinder Support.....	1
29	01.4041.0011GT	Grubscrew Es. M6x10 UNI 5923-6G.....	8
30	07.0735.0209GT	Fork.....	2

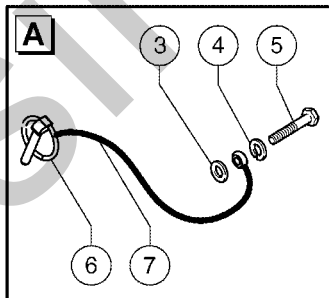
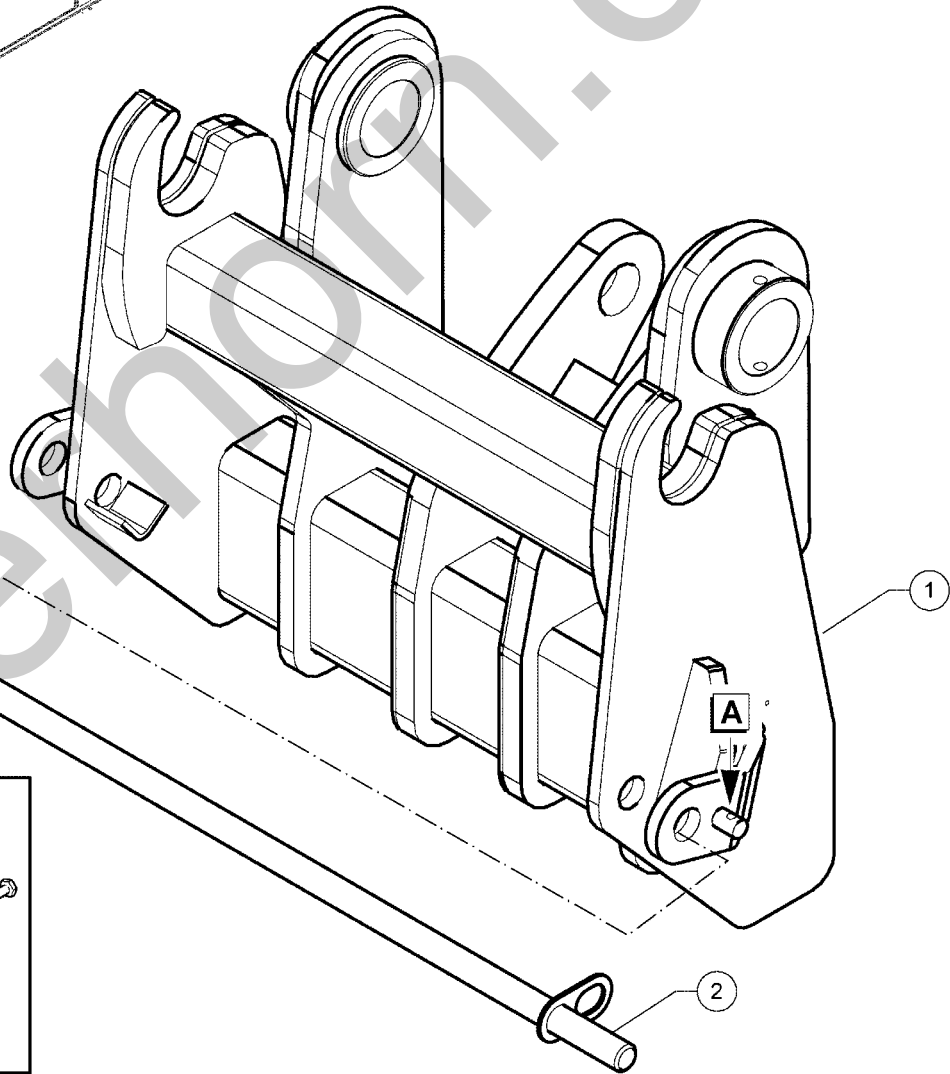
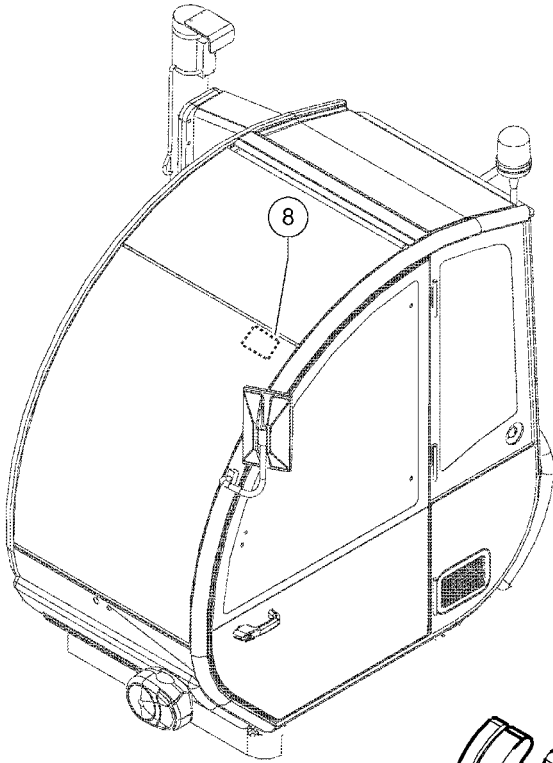
823.1 609013 Fork Side Shift And Positioner - Part 2



823.1 609013 Fork Side Shift And Positioner - Part 2

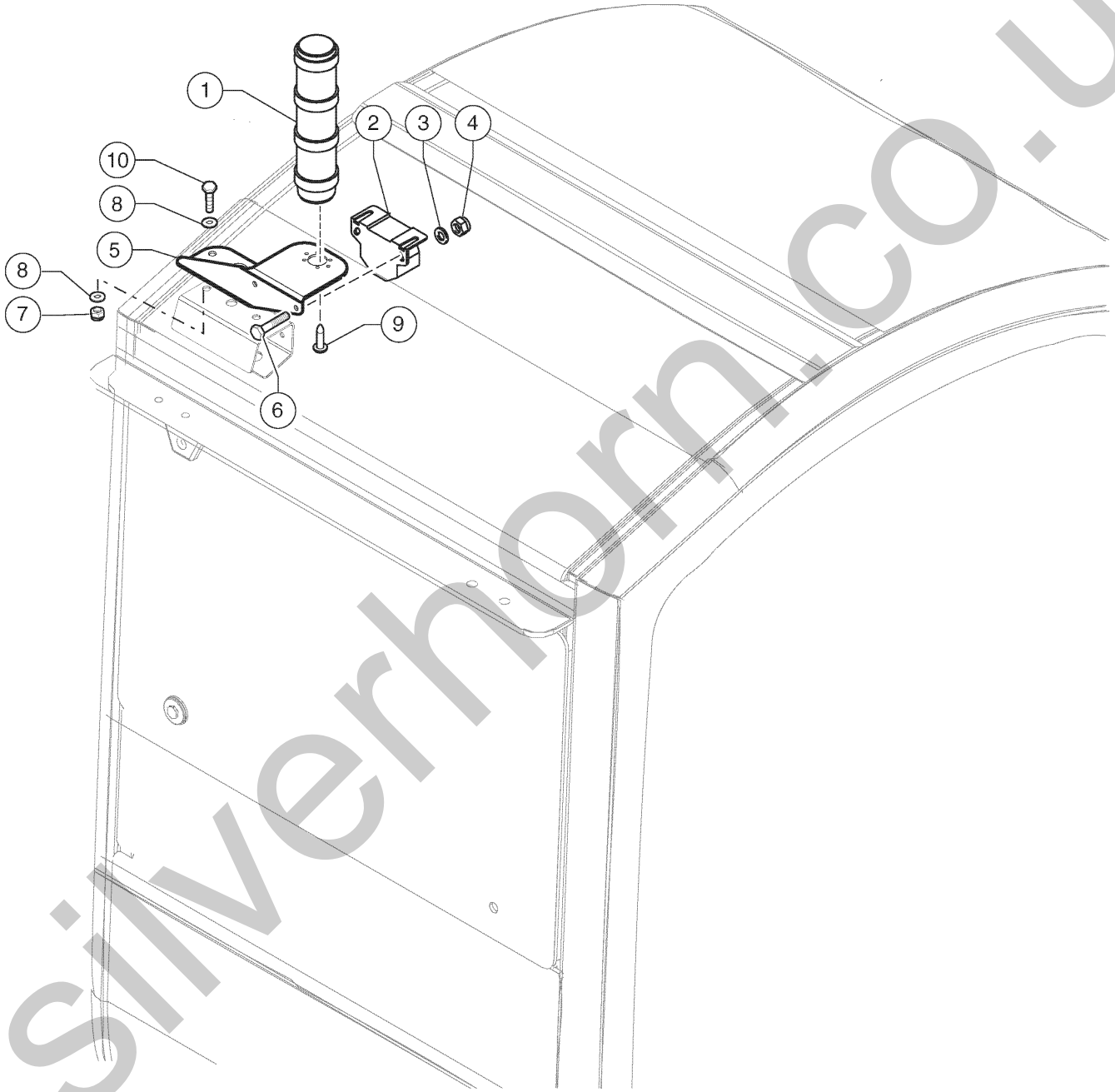
Item	Part No.	Description	Qty.
1	59.0601.5027GT	Forks Side Shift And Positioner.....	1
2	09.0803.0068GT	Chain.....	1.2-m
3	09.0803.0069GT	CLAMP,DOUBLE,D16.....	1
4	09.4618.0093GT	REFLECTIVE DECAL,WHITE/RED.....	3.1-m
5	51.1300.0300GT	Guard.....	1
6	04.0605.0948GT	HOSE R2X1/4 LG 1800 FD-FD 9/16-18.....	2
7	04.0605.0466GT	Hose R2 X 3/8" Lg. 1700 FD - FD 11/16-16 ORFS.....	2
8	09.0803.0806GT	HOSES PROTECTION.....	1
9	04.0607.0163GT	PIPE FITTING 1/4BSPX11/16-16 ORFS.....	2
10	04.0607.0167GT	PIPE FITTING 1/2BSPX 9/16-18 ORFS.....	2
11	04.0607.0110GT	PIPE FITTING 1/2BSP x 11/16-16 ORFS.....	2
12	04.0607.0132GT	PIPE FITTING 45 M-M 1/4 BSPX9/16-18 ORFS.....	2
13	04.4210.0018GT	QUICK COUPLING, MALE 1/2.....	2
14	04.4210.0019GT	QUICK COUPLING, FEMALE 1/2.....	2
15	09.0803.0045GT	DOUBLE HOSE BRACKET D14.....	2
16	09.0803.0522GT	DOUBLE HOSE CLAMP D18.....	1
17	09.0803.0523GT	DOUBLE HOSE LOCKING PLATE D18.....	1
18	01.4001.0056GT	Screw TE M6X100 UNI 5737 8.8 ZN.....	1
19	01.0031.0054GT	FLAT WASHER D6 UNI 6592 ZN.....	1
20	01.4032.0002GT	SPRING WASHER D6 ZN.....	1
21	07.0735.0187GT	Valve.....	1

824.1 609014 GM-1 Articulation



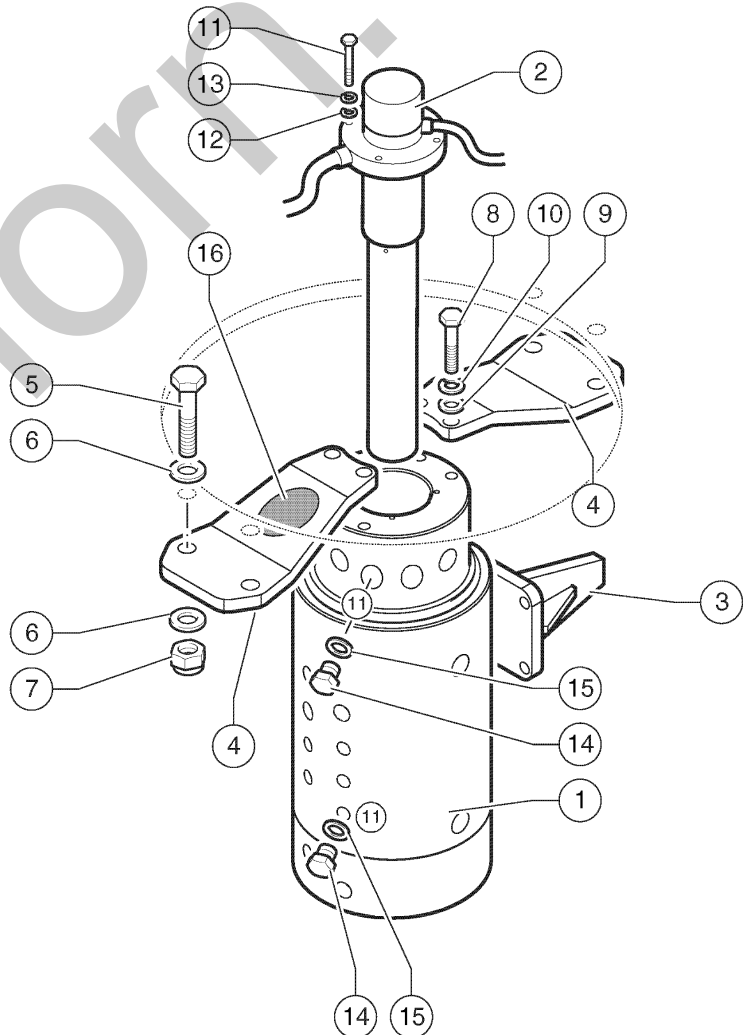
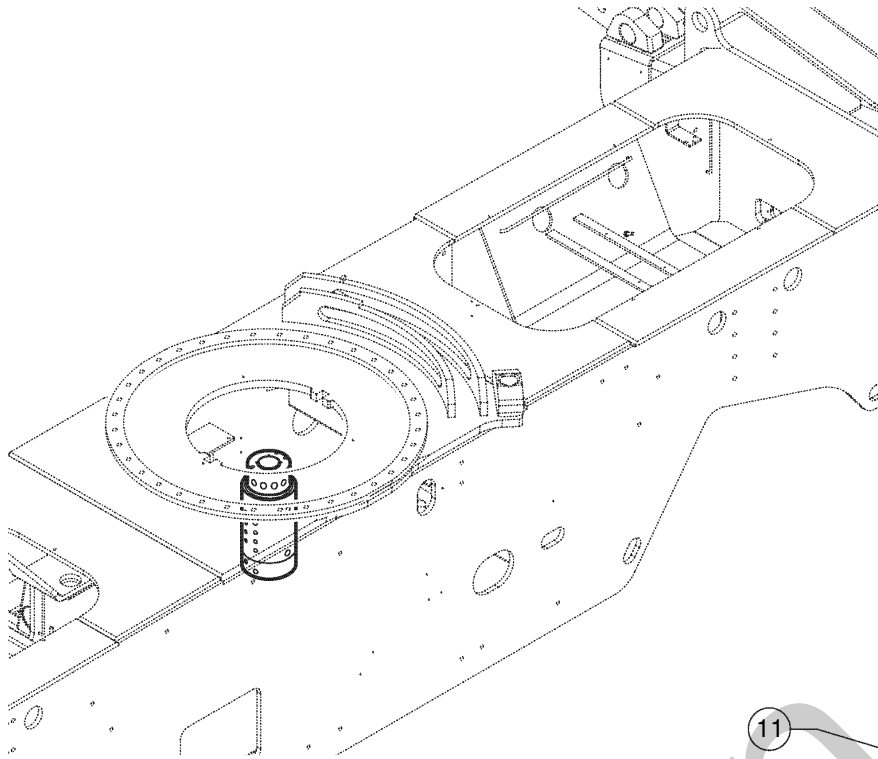
Item	Part No.	Description	Qty.
1	51.04005022GT	GM-1 Articulation.....	1
2	54.00000247GT	Attachement Lock Pin.....	1
3	01.0031.0054GT	FLAT WASHER D6 UNI 6592 ZN.....	1
4	01.4032.0002GT	SPRING WASHER D6 ZN.....	1
5	01.0001.0156GT	SCREW M6X20 UNI 5739 8.8 ZN.....	1
6	02.4102.0001GT	RING PIN.....	1
7	09.0803.0406GT	LANYARD,PIN.....	1
8	09.4618.1608GT	Label - Boom Angle GM-1 Articulation....	1

825.1 609015 LMI Tower Lights



Item	Part No.	Description	Qty.
1	56.0010.0095GT	Tower Ligts.....	1
2	56.0009.0009GT	ALARM.....	1
3	01.0031.0298GT	FLAT WASHER D6 UNI 6593 ZN.....	2
4	01.0023.0053GT	STOP NUT M6 UNI 7473 6S ZN.....	2
5	51.0811.4868GT	Support Bracket.....	1
6	01.0001.0156GT	SCREW M6X20 UNI 5739 8.8 ZN.....	2
7	01.0023.0054GT	NUT,M8 UNI 7473 6S ZN.....	2
8	01.0031.0055GT	FLAT WASHER D8 UNI 6592 ZN.....	2
9	01.4001.0116GT	SCREW TCB T 3.9X16 UNI 6954.....	4
10	01.0001.0254GT	SCREW M8X20 UNI 5739 8.8 ZN.....	2

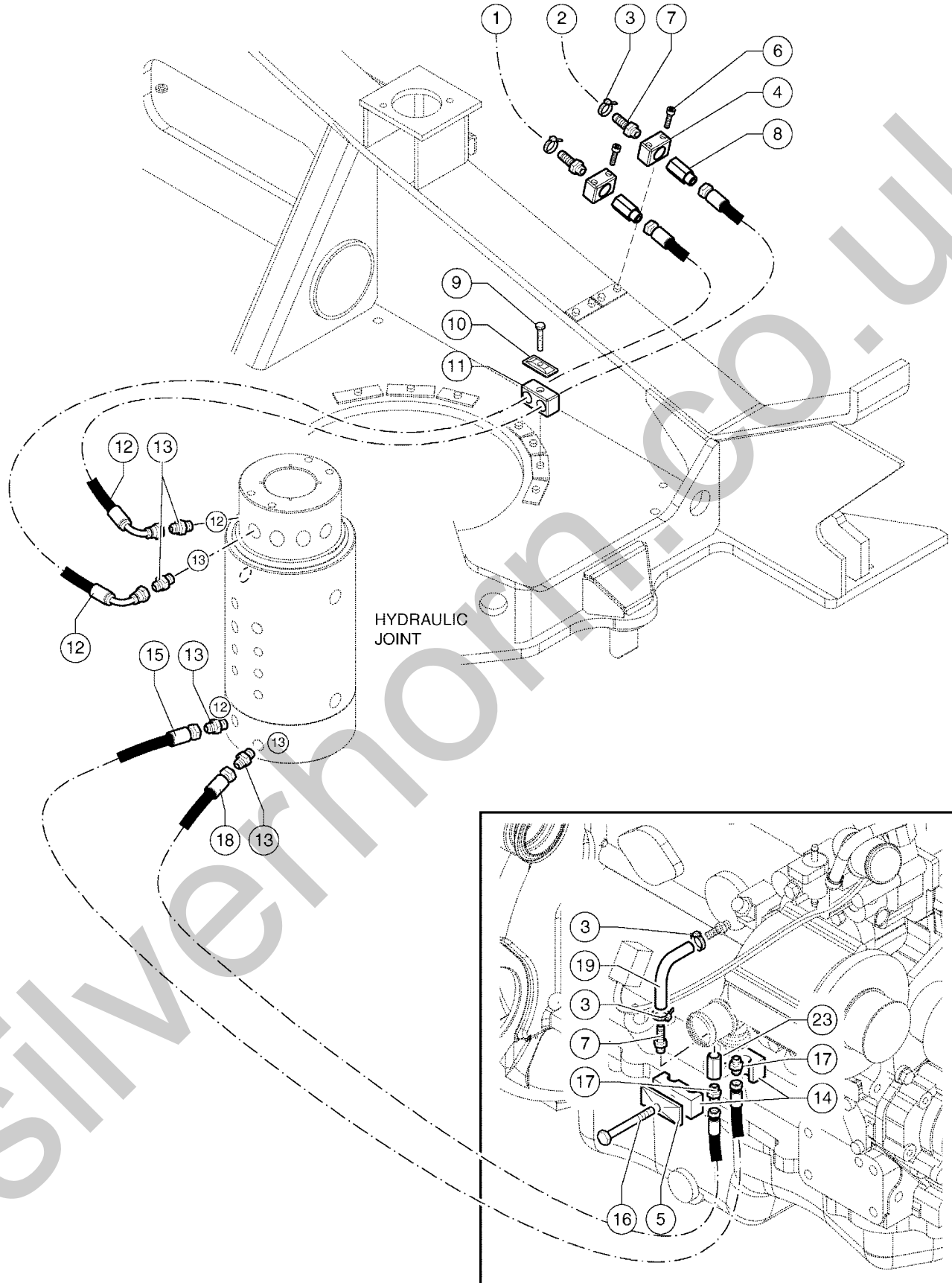
826.1 609019 Continuous Rotating 360° - Joint



826.1 609019 Continuous Rotating 360° - Joint

Item	Part No.	Description	Qty.
1	532900.0001GT	Hydraulical Joint.....	1
2	56.0023.0053GT	Electrical Joint.....	1
3	51.0811.4349GT	Hydraulic Rotating Joint Brack.....	1
4	51.0811.4703GT	Hydraulic Rotating Joint Support.....	2
5	01.4001.0023GT	SCREW TE M16X60 UNI 5737 8.8 ZN	4
6	01.0031.0099GT	FLAT WASHER D16 UNI 5714 ZN.....	8
7	01.0023.0058GT	NUT,STOP,M16 UNI 7473 6S ZN.....	4
8	01.0001.1493GT	SCREW M14X45 UNI 5739 8.8 ZN.....	4
9	01.0031.0058GT	FLAT WASHER D14 UNI 6592 ZN.....	4
10	01.4032.0006GT	SPRING WASHER D14 ZN.....	4
11	01.0001.0401GT	SCREW M12X40 UNI 5737 8.8 ZN.....	4
12	01.0031.0057GT	WASHER,D12 UNI 6592 ZN.....	4
13	01.4032.0005GT	SPRING WASHER D12 ZN.....	4
14	04.0220.0053GT	PLUG 3/8" BSP.....	2
15	06.0442.0120GT	BONDED RING 3/8".....	2
16	09.4618.1827GT	Decal - No washing Electrical Joint.....	1

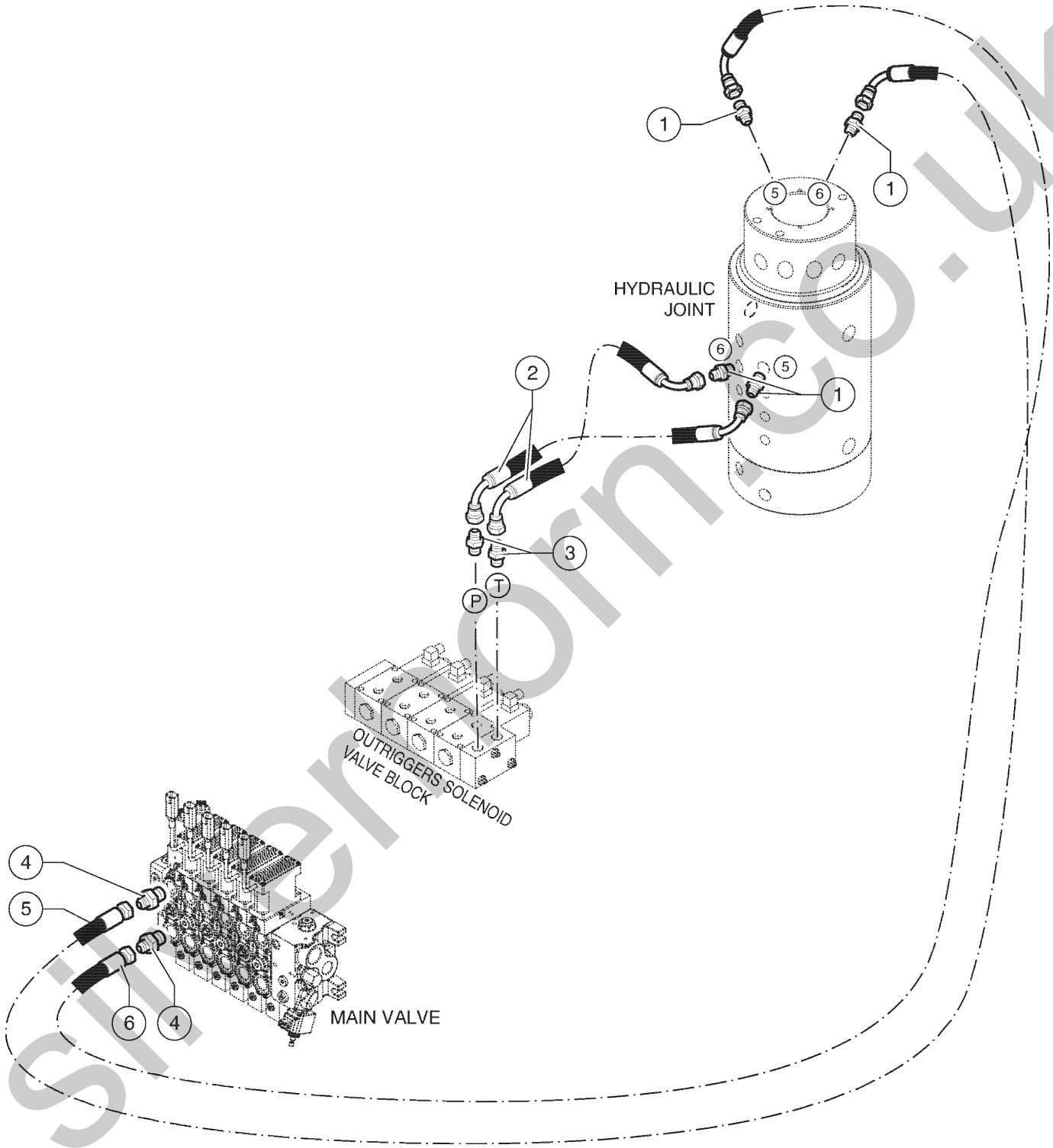
827.1 609020 Continuous Rotating 360° - Cab Heater Hoses



827.1 609020 Continuous Rotating 360° - Cab Heater Hoses

Item	Part No.	Description	Qty.
1		See 400 Cab, Figure 608936 - Position 31	
2		See 400 Cab, Figure 608936 - Position 32	
3	04.0227.0054GT	CLAMP DN 15/25 LG 9.....	4
4	09.0806.0042GT	ADAPTER,REDUCTION,HOSE.....	2
5	09.0803.0527GT	DOUBLE HOSE LOCKING PLATE D30.....	1
6	01.0003.0159GT	SCREW M6X35 UNI 5931 8.8 ZN.....	4
7	04.0600.0197GT	HOSE ADAPTER 1/2 GAS D18.....	3
8	04.0600.0016GT	PIPE FITTING CMF G1/2 ES LG 45.....	2
9	01.0001.0206GT	SCREW M8X55 UNI 5737 8.8 ZN.....	1
10	09.0803.0525GT	DOUBLE HOSE LOCKING PLATE D22.....	1
11	09.0803.0524GT	DOUBLE HOSE CLAMP D22.....	1
12	04.0605.1370GT	Flexible Hose R1 X 1/2 1400 FD 1/2" BSP F90 13/16"-16 ORFS.....	2
13	04.0607.0111GT	PIPE FITTING 1/2 BSPX13/16-16 ORFS.....	4
14	09.0803.0526GT	DOUBLE HOSE LOCKING PLATE D30.....	1
15	04.0605.1768GT	HOSE R1 X 1/2 3000 SF F90 13/16"-16.....	1
16	01.0001.0466GT	SCREW M8X50 UNI 5739 8.8 ZN.....	1
17	04.0600.0017GT	PIPE FITTING 1/2X1/2 BSP.....	2
18	04.0605.1769GT	HOSE R1 X 1/2 3000 F90 F90 13/16"-16.....	1
19	04.0740.0122GT	Rubber Pipe.....	1

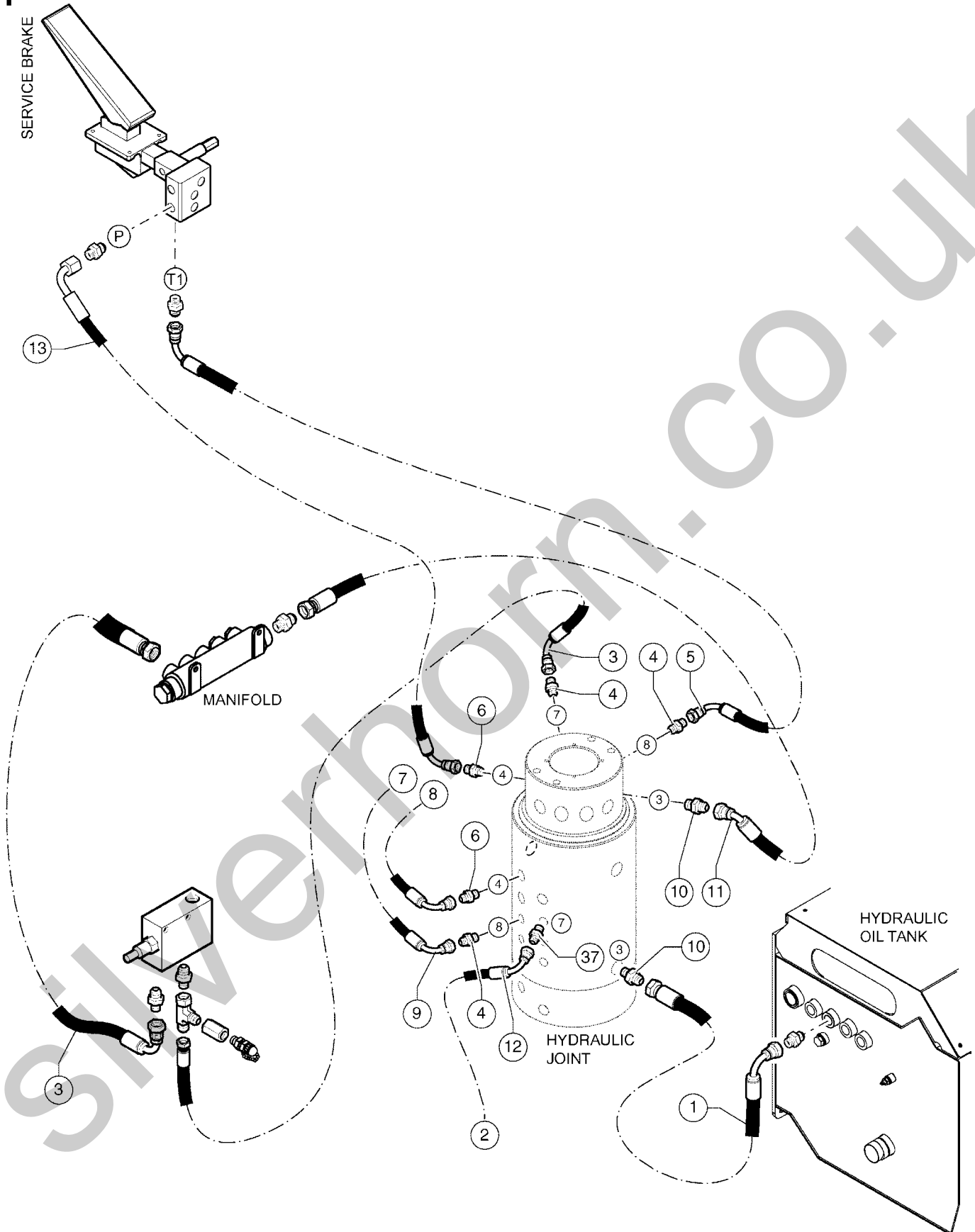
828.1 609021 Continuous Rotating 360° - Outriggers



828.1 609021 Continuous Rotating 360° - Outriggers

Item	Part No.	Description	Qty.
1	04.0607.0111GT	PIPE FITTING 1/2 BSPX13/16-16 ORFS.....	4
2	04.0605.1408GT	Flexible Hose R2 X 1/2 2400 F90 F90 13/16"-16 270°.....	2
3	04.0607.0111GT	PIPE FITTING 1/2 BSPX13/16-16 ORFS.....	2
4	04.0607.0121GT	PIPE FITTING 3/4 BSPX13/16-16 ORFS.....	2
5	04.0605.0891GT	Flexible Hose R2 X 1/2" Lg. 1450 FD - F90 13/16"-16 ORFS.....	1
6	04.0605.0982GT	Flexible Hose R2 X 1/2 LG. 1550 FD - F90 13/16"-16 ORFS.....	1

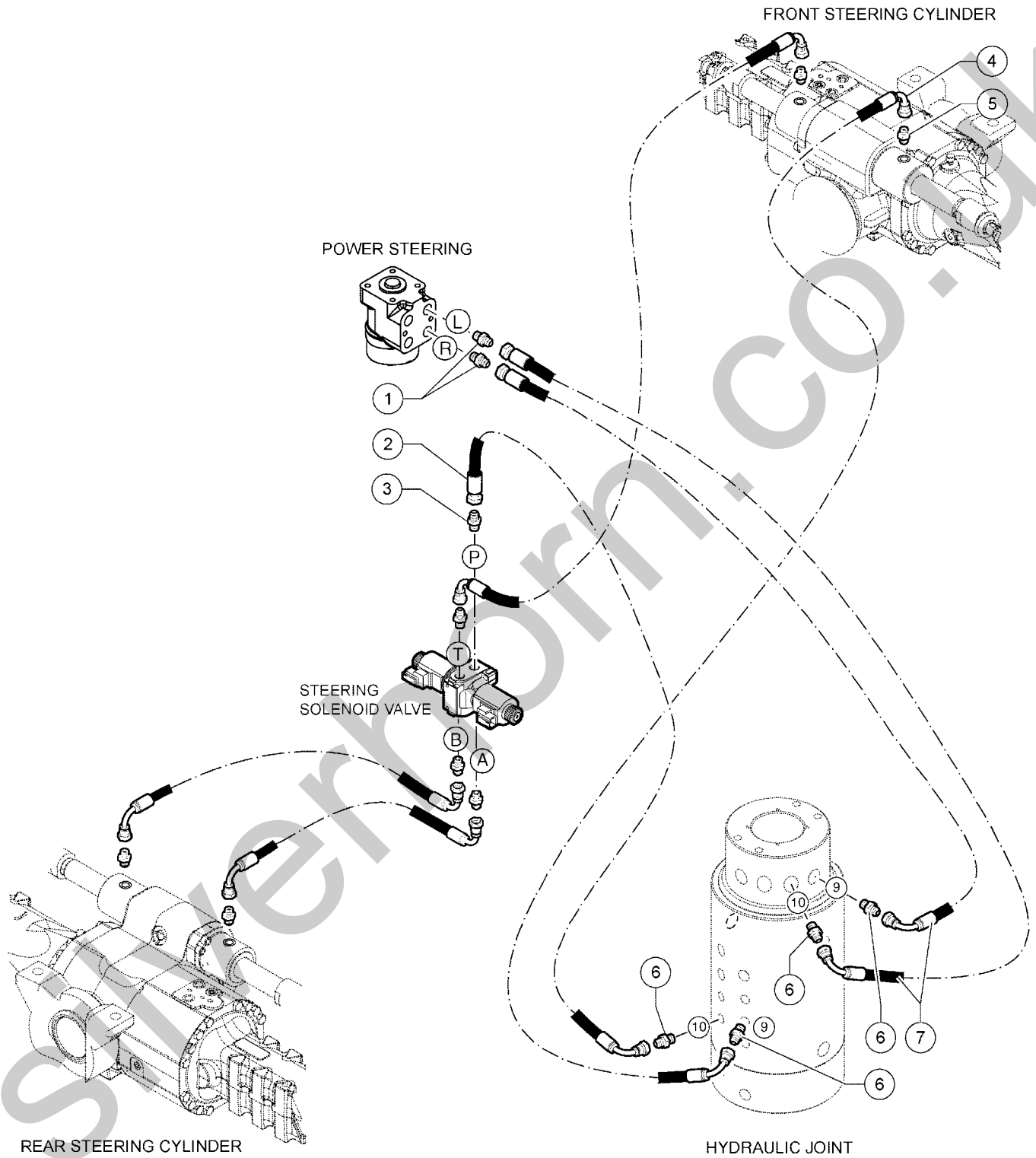
829.1 609022 Continous Rotating 360° - Service Brake



829.1 609022 Continuous Rotating 360° - Service Brake

Item	Part No.	Description	Qty.
1	04.0605.1375GT	Flexible Hose R1 X 3/4 2050 F90 F90 1 3/16"-12 90°.....	1
2		See 600 Hydraulic System, Figure 608961 - Position 42	
3	04.0605.1300GT	Flexible Hose R2 X 1/4 1400 F90 FD 9/16"-18 ORFS.....	2
4	04.0607.0114GT	PIPE FITTING 3/8 BSPX9/16-18 ORFS.....	3
5	04.0605.1271GT	Flexible Hose R2 X 1/4 1200 F90 F90 9/16"-18 A 90°.....	1
6	04.0607.0111GT	PIPE FITTING 1/2 BSPX13/16-16 ORFS.....	2
7		See 600 Hydraulic System, Figure 608961 - Position 11	
8		See 600 Hydraulic System, Figure 608962 - Position 16	
9	04.0605.0731GT	HOSE R2X1/4 LG1200 F90 FD 9/16 ORFS.....	1
10	04.0607.0107GT	PIPE FITTING 3/4BSP X1"3/16-12 ORFS.....	2
11	04.0605.1369GT	Flexible Hose R4 X 3/4 700 F45 FD 1 3/16"-12.....	1
12	04.0605.1378GT	Flexible Hose R1 X 1/4 700 F90 F90 9/16"-18 270°.....	1
13	04.0605.1717GT	HOSE R2 X 1/2 1450 F90 F90 13/16-16 180°.....	1

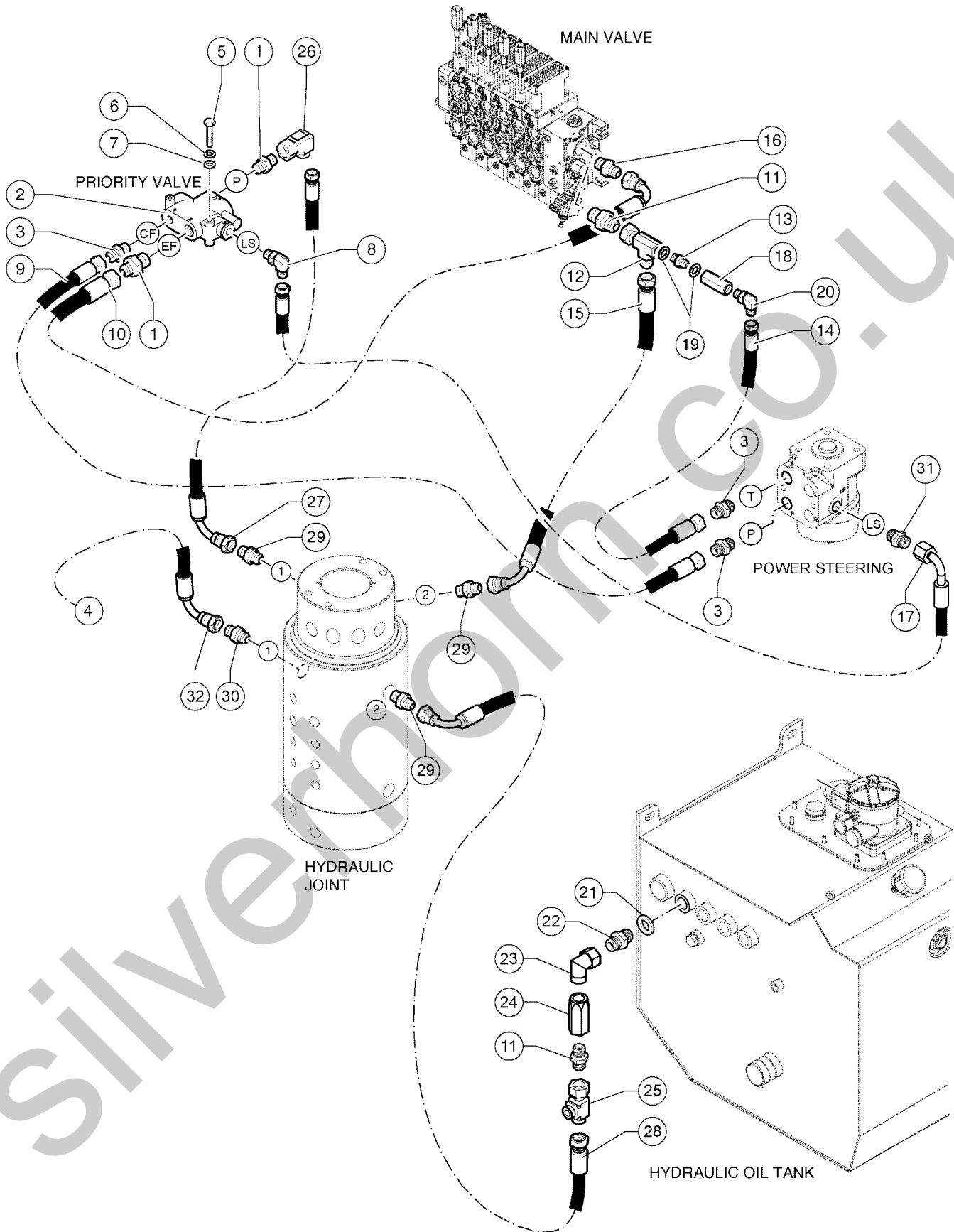
830.1 609023 Continuous Rotating 360° - Power Steering



830.1 609023 Continuous Rotating 360° - Power Steering

Item	Part No.	Description	Qty.
1	04.0607.0110GT	PIPE FITTING 1/2BSP x 11/16-16 ORFS.....	2
2	04.0605.0432GT	Flexible Hose R2 X 3/8 LG. 1300 F90 FD 11/16-16 ORFS.....	1
3	04.0607.0117GT	PIPE FITTING 3/8BSPX11/16-16 ORFS.....	1
4	04.0605.1376GT	Flexible Hose R1 X 3/8 2300 F90 F90 11/16"-16 270°.....	1
5	04.0607.0231GT	PIPE FITTING 9/16-18 X 11/16-16 ORFS.....	1
6	04.0607.0117GT	PIPE FITTING 3/8BSPX11/16-16 ORFS.....	4
7	04.0605.0311GT	HOSE R2X3/8 LG 1700 FD-F90 11/16-16 ORFS.....	2

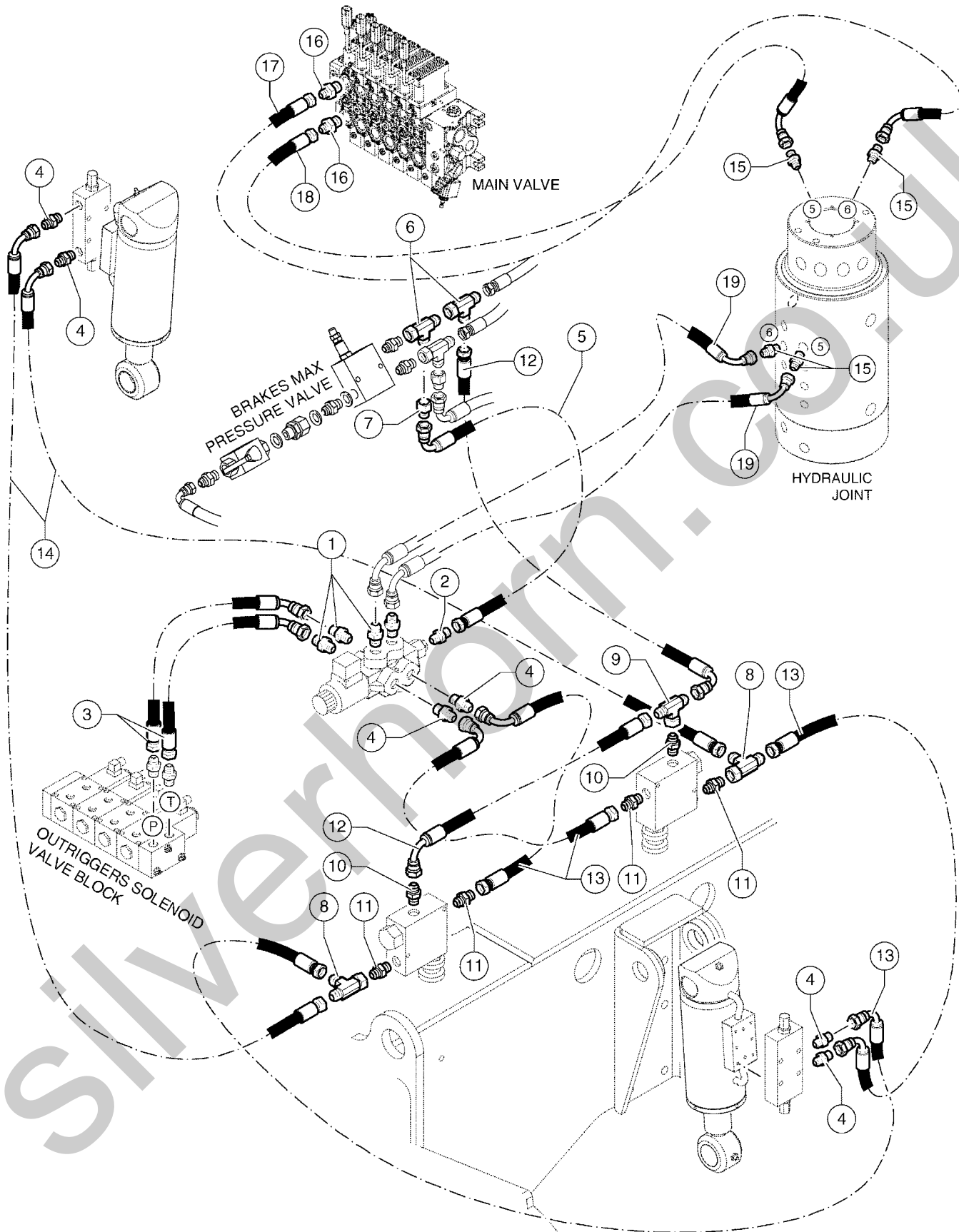
831.1 609024 Continuous Rotating 360° - Hydraulic Oil Tank



831.1 609024 Continuous Rotating 360° - Hydraulic Oil Tank

Item	Part No.	Description	Qty.	Item	Part No.	Description	Qty.
1	04.0607.0130GT	PIPE FITTING 1 BSPX1-3/16-12 ORFS.....	2	31	04.0607.0113GT	PIPE FITTING 1/4 BSPX9/16-18 ORFS.....	1
2	09.4636.0011GT	Priority Valve LPS 160 R11/LD 10-14 3/01.....	1	32	04.0605.1278GT	Flexible Hose ETERNITY/2 X 3/4 1900 F90 3/4" BSP FD 1 3/16"-12 OR.....	1
3	04.0607.0111GT	PIPE FITTING 1/2 BSPX13/16-16 ORFS.....	3				
4		See 600 Hydraulic System, Figure 608969 - Position 16					
5	01.0001.0211GT	SCREW M8X80 UNI 5737 8.8 ZN.....	2				
6	01.4032.0003GT	SPRING WASHER D8 ZN.....	2				
7	01.0031.0055GT	FLAT WASHER D8 UNI 6592 ZN.....	2				
8	04.0607.0112GT	PIPE FITTING M-M A 90 1/4 BSPX9/16-18 ORFS.....	1				
9	04.0605.1371GT	Flexible Hose R2 X 1/2 LG. 2400 FD -FD 13/16-16 ORFS.....	1				
10	04.0605.1550GT	Flexible Hose R2 X 3/4 550 F90 F45 1 3/16"-12 A 90°.....	1				
11	04.0607.0130GT	PIPE FITTING 1 BSPX1-3/16-12 ORFS.....	2				
12	04.0607.0211GT	Pipe Fitting TMF+L 1 3/16"-12 F 3/8" BSP.....	1				
13	04.0607.0145GT	PIPE FITTING 3/8BSPX13/16-18 ORFS.....	1				
14	04.0605.1616GT	Flexible Hose R1 X 1/2 2000 FD FD 13/16"-16.....	1				
15	04.0605.1716GT	HOSE R1 X 3/4 1150 F45 SF 1 3/16"-12.....	1				
16	04.0607.0107GT	PIPE FITTING 3/4BSP X1"3/16-12 ORFS.....	1				
17	04.0605.0766GT	Flexible Hose R2 X 1/4 LG. 2600 FD - F90 9/16"-18 ORFS.....	1				
18	04.4240.0015GT	VALVE.....	1				
19	06.0442.0120GT	BONDED RING 3/8".....	2				
20	04.0607.0847GT	Pipe Fitting 90° M3/8 X M13/16"-16 ORFS.....	1				
21	06.0442.0125GT	BONDED RING 1".....	1				
22	04.0600.0066GT	PIPE FITTING 1X1 BSP.....	1				
23	04.0600.0059GT	Pipe Fitting 1" BSP X F 1" BSP.....	1				
24	04.4239.0077GT	SAFETY VALVE.....	1				
25	04.0607.0120GT	Pipe Fitting TMF+L 1" 3/16-12 ORFS.....	1				
26	04.0607.0864GT	Pipe Fitting 90° M-F 1"3/16"-12 ORFS.....	1				
27	04.0605.0822GT	Flexible Hose R2 X 3/4" 280 Bar Lg. 1950 F90 - FD 1"3/16-12 ORFS.....	1				
28	04.0605.1280GT	Flexible Hose R1 X 3/4 1800 F90 F90 1 3/16"-12 ORFS A 270°.....	1				
29	04.0600.0235GT	Rotating Joint F3/4" BSP X M 3/4" BSP MBGGD34.....	2				
30	04.0442.0124GT	Bonded Ring 3/4".....	2				

832.1 609025 Continous Rotating 360° - Chassis Levelling



832.1 609025 Continuous Rotating 360° - Chassis Levelling

Item	Part No.	Description	Qty.
1	04.0607.0145GT	PIPE FITTING 3/8BSPX13/16-18 ORFS.....	4
2	04.0607.0113GT	PIPE FITTING 1/4 BSPX9/16-18 ORFS.....	1
3	04.0605.1634GT	HOSE R2X1/2 LG 600 F45-FD 13/16-16 ORFS.....	2
4	04.0607.0117GT	PIPE FITTING 3/8BSPX11/16-16 ORFS.....	6
5	04.0605.1625GT	Flexible Hose R1 X 1/4 LG. 400 FD F90 9/16-18 ORFS.....	1
6	04.0607.0122GT	PIPE FITTING TMF+L 13/16-16 ORFS...2	
7	04.0607.0797GT	PIPE FITTING F 13/16-16 ORFS-M 9/16-18 ORFS.....	2
8	04.0607.0164GT	PIPE FITTING TMF+L 11/16-16 ORFS...2	
9	04.0607.0126GT	PIPE FITTING TMF+C 13/16-16 ORFS...1	
10	04.0607.0111GT	PIPE FITTING 1/2 BSPX13/16-16 ORFS.....	1
11	04.0607.0110GT	PIPE FITTING 1/2BSP x 11/16-16 ORFS.....	1
12	04.0605.0484GT	Flexible Hose R1 X 1/2" Lg. 500 F90 - FD 13/16"-16 ORFS.....	2
13	04.0605.0430GT	HOSE R2 X 3/8 LG 550 F90-FD 11/16-16 ORFS.....	2
14	04.0605.0440GT	HOSE R2X3/8 LG 1900 F90-FD 11/16-16 ORFS.....	2
15	04.0607.0111GT	PIPE FITTING 1/2 BSPX13/16-16 ORFS.....	4
16	04.0607.0121GT	PIPE FITTING 3/4 BSPX13/16-16 ORFS.....	2
17	04.0605.0891GT	Flexible Hose R2 X 1/2" Lg. 1450 FD - F90 13/16"-16 ORFS.....	1
18	04.0605.0982GT	Flexible Hose R2 X 1/2 LG. 1550 FD - F90 13/16"-16 ORFS.....	1
19	04.0605.1408GT	Flexible Hose R2 X 1/2 2400 F90 F90 13/16"-16 270°.....	2

Part Number Index

The Part Number Index is a numeric index of all part numbers included in this manual. The index shows what page(s) the part is used on.

Part Number	Page	Part Number	Page	Part Number	Page	Part Number	Page
005361GT179	01.0003.0205GT21, 79, 151	01.0033.0000GT187		217, 219, 221,
005796GT179	01.0003.0207GT33	01.4001.0003GT93, 105		227, 249
01.0001.0004GT201	01.0003.0210GT105	01.4001.0008GT105	01.4032.0004GT23, 25, 31, 33,
01.0001.0035GT201	01.0003.0255GT31, 57, 151	01.4001.0011GT93		61, 63, 65, 67,
01.0001.0037GT201	01.0003.0256GT67	01.4001.0012GT59		87, 89, 105, 107,
01.0001.0042GT189	01.0003.0261GT33, 57	01.4001.0023GT239		121, 197, 199,
01.0001.0099GT201	01.0003.0353GT87, 89	01.4001.0026GT81		203, 207, 213
01.0001.0100GT23, 31	01.0003.0354GT87	01.4001.0032GT101	01.4032.0005GT27, 59, 67, 105,
01.0001.0102GT33	01.0003.0947GT23, 31	01.4001.0034GT25		111, 153, 213,
01.0001.0106GT25, 131, 221	01.0019.0103GT23	01.4001.0037GT101		239
01.0001.0108GT133, 221	01.0019.0104GT71, 137	01.4001.0038GT21	01.4032.0006GT21, 29, 67, 107,
01.0001.0154GT21, 25, 63, 167	01.0019.0105GT63	01.4001.0040GT59		225, 239
01.0001.0156GT27, 33, 35, 65,	01.0019.0106GT93	01.4001.0041GT95, 97	01.4032.0007GT25, 29, 33, 67,
	101, 113, 137,	01.0019.0108GT99	01.4001.0053GT29		97, 115
	235, 237	01.0019.0179GT93	01.4001.0056GT233	01.4032.0008GT27
01.0001.0158GT165	01.0019.0185GT27	01.4001.0061GT69, 209	01.4032.0011GT209, 221
01.0001.0160GT101	01.0019.0186GT91	01.4001.0062GT21	01.4032.0015GT71
01.0001.0206GT147, 241	01.0023.0052GT21, 23, 25, 65	01.4001.0069GT27, 33, 91	01.4041.0000GT93, 95
01.0001.0207GT135, 147	01.0023.0053GT21, 23, 65, 81,	01.4001.0078GT21, 23, 25, 27,	01.4041.0005GT103
01.0001.0209GT149		101, 133, 135,		31, 33, 63, 197,	01.4041.0011GT231
01.0001.0211GT35, 145, 249		221, 237		199	01.4041.0021GT27
01.0001.0252GT27, 111, 217	01.0023.0054GT21, 23, 25, 31,	01.4001.0089GT63	02.0117.0051GT25, 87, 89, 93,
01.0001.0253GT87		59, 61, 63, 69,	01.4001.0092GT29		95, 231
01.0001.0254GT21, 23, 25, 65,		73, 149, 169,	01.4001.0094GT25	02.0117.0101GT27, 33, 87, 105,
	69, 73, 75, 81,		201, 203, 219,	01.4001.0100GT29, 221		107
	93, 127, 131,		237	01.4001.0106GT21, 23, 35	02.0117.0119GT89, 93, 95
	169, 203, 221,	01.0023.0055GT23, 25, 27, 59,	01.4001.0108GT93	02.0121.0030GT33
	237		107, 137, 189	01.4001.0116GT71, 73, 81, 229,	02.4102.0001GT235
01.0001.0256GT23, 27, 63, 87,	01.0023.0056GT63, 93, 103, 105		237	02.4102.0012GT101
	95, 111, 219, 227	01.0023.0057GT25, 59, 101	01.4001.0125GT95	02.4102.0013GT73
01.0001.0257GT59, 79, 105	01.0023.0058GT101, 239	01.4001.0175GT99	02.4115.0000GT103, 191
01.0001.0258GT25, 27	01.0023.0060GT29	01.4001.0185GT149	02.4126.0003GT91
01.0001.0260GT147	01.0023.0062GT29, 221	01.4001.0191GT27	02.4126.0004GT91, 93
01.0001.0299GT73, 89	01.0031.0053GT21, 23, 25, 65	01.4002.0006GT29	03.4175.0006GT27
01.0001.0304GT23, 213	01.0031.0054GT21, 25, 27, 33,	01.4003.0000GT209, 221	04.0027.0051GT61
01.0001.0306GT27, 105, 107		63, 81, 101, 113,	01.4003.0001GT67	04.0220.0053GT131, 239
01.0001.0310GT105		133, 135, 143,	01.4003.0003GT27	04.0220.0055GT31, 151, 195
01.0001.0314GT107		155, 159, 207,	01.4003.0004GT27	04.0220.0059GT131
01.0001.0353GT121		221, 233, 235	01.4003.0014GT35	04.0220.0063GT31
01.0001.0355GT23, 25, 65, 87,	01.0031.0055GT21, 25, 27, 31,	01.4003.0015GT231	04.0227.0054GT83, 241
	197, 199		35, 59, 61, 63,	01.4003.0034GT93	04.0227.0058GT61, 81, 201
01.0001.0356GT59, 61, 63, 89		69, 75, 79, 93,	01.4003.0036GT195, 197, 199	04.0227.0068GT81
01.0001.0357GT87, 89		95, 105, 111,	01.4003.0038GT79	04.0442.0117GT131
01.0001.0358GT23, 25, 33, 203		127, 131, 135,	01.4003.0041GT97	04.0442.0124GT131, 145, 249
01.0001.0401GT59, 67, 105, 153,		137, 145, 149,	01.4003.0049GT87, 89	04.0506.0737GT135
	239		169, 201, 203,	01.4003.0051GT95	04.0600.0016GT83, 127, 241
01.0001.0402GT67		217, 219, 227,	01.4003.0053GT87	04.0600.0017GT195, 197, 199,
01.0001.0405GT63		237, 249	01.4006.0000GT201		241
01.0001.0409GT59, 103	01.0031.0056GT23, 25, 31, 33,	01.4006.0004GT111	04.0600.0021GT133
01.0001.0466GT241		63, 67, 87, 89,	01.4006.0007GT71	04.0600.0029GT135, 207
01.0001.0505GT213		105, 107, 121,	01.4006.0011GT65	04.0600.0046GT207
01.0001.0506GT111		137, 203, 207	01.4019.0000GT27	04.0600.0052GT117, 123, 125
01.0001.0507GT27	01.0031.0057GT59, 67, 105, 111,	01.4019.0001GT203	04.0600.0059GT249
01.0001.0564GT25		213, 239	01.4019.0004GT103	04.0600.0062GT153
01.0001.0604GT21, 29	01.0031.0058GT29, 59, 87, 89,	01.4019.0020GT151	04.0600.0066GT145, 249
01.0001.0605GT207		107, 225, 239	01.4019.0026GT93	04.0600.0069GT197, 199, 207
01.0001.0606GT67, 107, 225	01.0031.0059GT29, 115	01.4022.0007GT187	04.0600.0087GT113, 199
01.0001.0657GT25	01.0031.0061GT29, 95, 97	01.4023.0000GT25, 29	04.0600.0090GT135
01.0001.1438GT25, 65	01.0031.0062GT25, 29	01.4023.0010GT23	04.0600.0091GT115
01.0001.1465GT61	01.0031.0063GT29, 221	01.4031.0002GT21	04.0600.0092GT115
01.0001.1476GT137	01.0031.0097GT59, 67, 93	01.4031.0004GT61	04.0600.0107GT195, 197, 199
01.0001.1493GT29, 239	01.0031.0098GT67	01.4031.0007GT69	04.0600.0113GT145, 153
01.0001.1537GT97, 115	01.0031.0099GT27, 67, 91, 95,	01.4031.0008GT25	04.0600.0142GT33
01.0001.1538GT23		97, 239	01.4032.0002GT23, 25, 27, 33,	04.0600.0190GT135
01.0001.1547GT93	01.0031.0100GT91, 93		35, 63, 101, 113,	04.0600.0197GT83, 241
01.0003.0155GT117, 119, 123,	01.0031.0298GT23, 25, 33, 35,		131, 133, 137,	04.0600.0232GT131
	125, 159, 187		65, 81, 131, 133,		143, 155, 159,	04.0600.0233GT143
01.0003.0157GT111, 113		137, 165, 167,		165, 167, 207,	04.0600.0234GT83, 117, 119, 131
01.0003.0158GT133, 143, 155,		201, 237		221, 233, 235	04.0600.0235GT131, 145, 249
	187	01.0031.0299GT21, 23, 25, 27,	01.4032.0003GT21, 23, 25, 27,	04.0600.0236GT121
01.0003.0159GT115, 147, 207,		59, 63, 65, 69,		35, 65, 93, 105,	04.0600.0237GT121
	241		81, 197, 199, 221		111, 127, 131,	04.0600.0238GT121
01.0003.0160GT21, 33, 197, 199	01.0031.0301GT23, 27, 65, 197,		135, 145, 149,	04.0600.0239GT121
01.0003.0162GT35, 207		199, 213		197, 199, 203,	04.0600.0272GT187
01.0003.0203GT73	01.0031.0303GT21			04.0602.0605GT187

Part Number Index (continued)

Part Number	Page	Part Number	Page	Part Number	Page	Part Number	Page
04.0602.0613GT	195, 197, 199	04.0605.1260GT	111	04.0607.0114GT	111, 115, 129, 131, 133, 155, 197, 199, 203, 245	04.4224.0001GT	151
04.0602.0615GT	195, 197, 199	04.0605.1261GT	111, 113			04.4224.0008GT	135
04.0605.0108GT	153	04.0605.1264GT	111, 113			04.4225.0001GT	135, 207
04.0605.0113GT	129, 149, 197, 199	04.0605.1271GT	245			04.4225.0002GT	131, 133
		04.0605.1276GT	143	04.0607.0115GT	111, 131, 133, 155	04.4225.0003GT	25
04.0605.0174GT	207	04.0605.1278GT	249			04.4227.0000GT	61
04.0605.0179GT	155	04.0605.1280GT	249	04.0607.0117GT	33, 117, 119, 123, 125, 127, 131, 135, 143, 207, 223, 247, 251	04.4227.0001GT	61
04.0605.0231GT	133, 155	04.0605.1285GT	115			04.4227.0003GT	217
04.0605.0254GT	125	04.0605.1299GT	111			04.4227.0010GT	61
04.0605.0269GT	133, 155	04.0605.1300GT	131, 245			04.4227.0016GT	127, 131
04.0605.0308GT	117, 119, 123, 125	04.0605.1348GT	153			04.4227.0018GT	63
		04.0605.1353GT	207	04.0607.0120GT	145, 249	04.4229.0065GT	153
04.0605.0309GT	135	04.0605.1360GT	127	04.0607.0121GT	109, 111, 113, 117, 119, 129, 151, 243, 251	04.4229.0072GT	153
04.0605.0311GT	143, 247	04.0605.1361GT	127			04.4229.0078GT	151
04.0605.0430GT	117, 119, 123, 125, 223, 251	04.0605.1362GT	109			04.4229.0079GT	153
		04.0605.1363GT	113	04.0607.0122GT	135, 223, 251	04.4229.0089GT	151
04.0605.0432GT	247	04.0605.1369GT	245	04.0607.0124GT	111, 113	04.4235.0013GT	27
04.0605.0433GT	143	04.0605.1370GT	241	04.0607.0126GT	111, 115, 223, 251	04.4235.0052GT	67
04.0605.0440GT	117, 119, 123, 125, 223, 251	04.0605.1371GT	145, 249			04.4235.0064GT	67
		04.0605.1372GT	153	04.0607.0130GT	131, 145, 153, 249	04.4236.0084GT	137, 161
04.0605.0443GT	129	04.0605.1373GT	123, 125			04.4236.0097GT	137
04.0605.0459GT	115, 133	04.0605.1375GT	245	04.0607.0131GT	133, 153, 155, 197, 199	04.4236.0115GT	137
04.0605.0464GT	131	04.0605.1376GT	247			04.4236.0118GT	135
04.0605.0466GT	233	04.0605.1378GT	245	04.0607.0132GT	197, 199, 233	04.4238.0071GT	67
04.0605.0484GT	223, 251	04.0605.1393GT	151	04.0607.0137GT	131	04.4238.0075GT	67
04.0605.0522GT	117, 119, 123, 125	04.0605.1394GT	145	04.0607.0140GT	129	04.4238.0078GT	207, 209
		04.0605.1396GT	143	04.0607.0141GT	111, 113	04.4238.0086GT	67
04.0605.0530GT	155	04.0605.1408GT	243, 251	04.0607.0142GT	145, 151, 153	04.4239.0000GT	105
04.0605.0556GT	153	04.0605.1456GT	153	04.0607.0145GT	115, 131, 135, 145, 203, 223, 249, 251	04.4239.0001GT	105
04.0605.0558GT	111	04.0605.1459GT	143			04.4239.0002GT	197, 199
04.0605.0704GT	111, 113	04.0605.1464GT	145	04.0607.0153GT	131, 149	04.4239.0003GT	105
04.0605.0720GT	131	04.0605.1465GT	131			04.4239.0004GT	111
04.0605.0731GT	245	04.0605.1466GT	131	04.0607.0162GT	117, 119, 123, 125, 207	04.4239.0012GT	207
04.0605.0737GT	129	04.0605.1468GT	131			04.4239.0015GT	115, 133
04.0605.0739GT	207	04.0605.1469GT	83	04.0607.0163GT	117, 119, 123, 125, 197, 199, 233	04.4239.0031GT	25
04.0605.0766GT	145, 249	04.0605.1470GT	117, 119			04.4239.0032GT	207
04.0605.0768GT	131	04.0605.1471GT	131	04.0607.0164GT	117, 119, 123, 125, 135, 223, 251	04.4239.0034GT	153
04.0605.0786GT	117, 119, 123, 125	04.0605.1550GT	145, 249			04.4239.0041GT	107
		04.0605.1558GT	145			04.4239.0074GT	133
04.0605.0810GT	129	04.0605.1582GT	133	04.0607.0166GT	131	04.4239.0077GT	145, 249
04.0605.0822GT	249	04.0605.1609GT	133			04.4239.0080GT	221
04.0605.0871GT	151	04.0605.1610GT	133	04.0607.0167GT	233	04.4239.0131GT	117, 119, 123, 125
04.0605.0878GT	145	04.0605.1612GT	133	04.0607.0170GT	127, 207		
04.0605.0879GT	145	04.0605.1616GT	145, 249	04.0607.0174GT	31, 151, 153	04.4239.0140GT	221
04.0605.0891GT	243, 251	04.0605.1625GT	223, 251	04.0607.0180GT	133	04.4239.0152GT	33
04.0605.0896GT	111	04.0605.1627GT	223	04.0607.0183GT	153	04.4239.0153GT	33
04.0605.0901GT	131	04.0605.1628GT	203	04.0607.0188GT	153	04.4240.0015GT	133, 145, 249
04.0605.0902GT	131	04.0605.1633GT	197, 199	04.0607.0190GT	145	04.4240.0024GT	115, 117, 119, 123, 125
04.0605.0931GT	133	04.0605.1634GT	223, 251	04.0607.0196GT	151		
04.0605.0947GT	133	04.0605.1692GT	155	04.0607.0205GT	109	04.4240.0041GT	117, 119, 123, 125, 161
04.0605.0948GT	233	04.0605.1693GT	133	04.0607.0211GT	145, 249		
04.0605.0978GT	207	04.0605.1716GT	249	04.0607.0214GT	111	04.4240.0052GT	143
04.0605.0980GT	207	04.0605.1717GT	245	04.0607.0217GT	153	04.4240.0053GT	155
04.0605.0981GT	203	04.0605.1768GT	241	04.0607.0225GT	155	04.4240.0074GT	117, 119, 123, 125
04.0605.0982GT	111, 243, 251	04.0605.1769GT	241	04.0607.0231GT	143, 247		
04.0605.0998GT	129	04.0607.0102GT	127	04.0607.0233GT	207	04.4240.0075GT	195, 197
04.0605.1012GT	117, 119	04.0607.0103GT	153	04.0607.0797GT	135, 223, 251	04.4240.0076GT	199
04.0605.1015GT	131	04.0607.0107GT	109, 127, 131, 145, 151, 207, 245, 249	04.0607.0798GT	155	04.4240.0077GT	221
04.0605.1017GT	83			04.0607.0814GT	207	05.0401.0000GT	133
04.0605.1018GT	83			04.0607.0842GT	153	05.0401.0004GT	133
04.0605.1043GT	197, 199	04.0607.0109GT	129	04.0607.0847GT	145, 249	05.0401.0010GT	133
04.0605.1044GT	203	04.0607.0110GT	143, 197, 199, 207, 223, 233, 247, 251	04.0607.0854GT	133	05.4309.0006GT	131
04.0605.1054GT	109			04.0607.0855GT	131, 153	05.4329.0001GT	163
04.0605.1057GT	135	04.0607.0111GT	31, 83, 111, 113, 115, 117, 119, 127, 129, 131, 135, 145, 203, 207, 223, 241, 243, 245, 249, 251	04.0607.0864GT	145, 249	05.4329.0002GT	163
04.0605.1062GT	117, 119, 123, 125, 127			04.0607.0865GT	153	05.4329.0011GT	131
				04.0740.0122GT	241	05.4329.0027GT	127
04.0605.1141GT	133, 155			04.4210.0003GT	131	05.4329.0029GT	131
04.0605.1183GT	119, 125			04.4210.0004GT	111, 133, 149	06.0401.0123GT	67
04.0605.1210GT	153			04.4210.0005GT	149, 207	06.0401.0219GT	153
04.0605.1214GT	123			04.4210.0018GT	113, 195, 197, 199, 233	06.0442.0117GT	111, 133, 197, 199
04.0605.1215GT	117, 119						
04.0605.1220GT	135	04.0607.0112GT	145, 197, 199, 249	04.4210.0019GT	113, 195, 197, 199, 233	06.0442.0118GT	133
04.0605.1225GT	153					06.0442.0120GT	31, 33, 117, 123, 125, 131, 133, 135, 143, 145, 207, 239, 249
04.0605.1253GT	129	04.0607.0113GT	111, 129, 133, 145, 203, 223, 249, 251	04.4223.0000GT	151		
04.0605.1258GT	113			04.4223.0001GT	151		
04.0605.1259GT	111			04.4223.0003GT	153		

Part Number Index (continued)

Part Number	Page	Part Number	Page	Part Number	Page	Part Number	Page
06.0442.0122GT31, 83, 115, 117, 119, 127, 131, 151, 195, 197, 199	07.0703.0583GT51	07.0711.0299GT45, 161	07.0711.0394GT39
06.0442.0124GT131, 207	07.0703.0617GT171	07.0711.0300GT45	07.0711.0396GT53
06.0442.0125GT31, 135, 145, 249	07.0703.0621GT183	07.0711.0301GT41	07.0711.0398GT53
06.0442.0126GT153	07.0703.0657GT171	07.0711.0302GT41	07.0711.0399GT53
06.0442.0132GT151	07.0703.0668GT171	07.0711.0303GT41	07.0711.0400GT53
06.0600.0016GT83	07.0703.0669GT171	07.0711.0304GT41	07.0711.0401GT53
07.0711.0460GT43	07.0703.0724GT157	07.0711.0305GT41	07.0711.0402GT53
07.0711.0462GT43	07.0703.0727GT171	07.0711.0306GT41	07.0711.0403GT53
07.0602.0604GT187	07.0703.0729GT171	07.0711.0307GT41	07.0711.0405GT53
07.0700.0006GT31	07.0704.0428GT221	07.0711.0308GT41	07.0711.0408GT53
07.0700.0023GT11, 31	07.0705.0101GT105	07.0711.0309GT41	07.0711.0409GT53
07.0701.0197GT67	07.0705.0102GT143	07.0711.0310GT41	07.0711.0410GT53
07.0701.0203GT67	07.0706.0043GT143	07.0711.0311GT41	07.0711.0412GT53
07.0701.0216GT67	07.0706.0044GT27	07.0711.0312GT41	07.0711.0420GT55
07.0701.0241GT67	07.0709.0624GT181	07.0711.0313GT41	07.0711.0422GT55
07.0701.0242GT67	07.0711.0012GT37, 49	07.0711.0314GT41	07.0711.0423GT55
07.0701.0243GT67	07.0711.0014GT45	07.0711.0315GT41	07.0711.0424GT55
07.0701.0247GT67	07.0711.0030GT43	07.0711.0316GT41	07.0711.0441GT39
07.0701.0248GT67	07.0711.0031GT43, 45	07.0711.0317GT41	07.0711.0442GT41
07.0701.0252GT67	07.0711.0044GT45	07.0711.0318GT41	07.0711.0443GT41
07.0701.0254GT137	07.0711.0045GT45	07.0711.0319GT39	07.0711.0444GT203
07.0701.0255GT137, 155	07.0711.0077GT39	07.0711.0320GT39	07.0711.0445GT203
07.0701.0256GT137	07.0711.0079GT39	07.0711.0321GT39	07.0711.0446GT203
07.0701.0257GT137	07.0711.0104GT41	07.0711.0322GT39	07.0711.0447GT203
07.0701.0258GT137	07.0711.0109GT37, 43, 49, 51	07.0711.0323GT39	07.0711.0448GT203
07.0701.0259GT137	07.0711.0112GT43	07.0711.0324GT39	07.0711.0451GT29
07.0701.0316GT195, 197, 199	07.0711.0116GT37	07.0711.0325GT39	07.0711.0452GT29
07.0701.0317GT195, 197, 199	07.0711.0148GT53	07.0711.0326GT39	07.0711.0463GT45
07.0701.0343GT67	07.0711.0154GT53	07.0711.0327GT43	07.0711.0464GT45
07.0703.0007GT171	07.0711.0155GT37, 49	07.0711.0329GT43	07.0711.0465GT45
07.0703.0008GT171	07.0711.0156GT37	07.0711.0330GT43	07.0711.0466GT45
07.0703.0010GT171	07.0711.0161GT51	07.0711.0331GT47	07.0711.0467GT45
07.0703.0032GT171	07.0711.0225GT37	07.0711.0332GT47	07.0711.0468GT47
07.0703.0035GT171	07.0711.0227GT51	07.0711.0333GT47	07.0711.0469GT49
07.0703.0125GT171	07.0711.0236GT55	07.0711.0334GT47	07.0711.0470GT51
07.0703.0148GT167, 205	07.0711.0252GT37, 49	07.0711.0335GT47	07.0711.0471GT51
07.0703.0188GT205	07.0711.0253GT37, 49	07.0711.0336GT47	07.0711.0472GT51
07.0703.0192GT159, 167	07.0711.0254GT49	07.0711.0337GT47	07.0711.0473GT51
07.0703.0193GT157, 167	07.0711.0255GT49	07.0711.0338GT47	07.0711.0474GT51
07.0703.0305GT163	07.0711.0256GT37, 49	07.0711.0339GT47	07.0711.0475GT51
07.0703.0306GT163	07.0711.0257GT37, 49	07.0711.0341GT43	07.0711.0476GT51
07.0703.0314GT175	07.0711.0258GT49	07.0711.0344GT43	07.0711.0477GT51
07.0703.0321GT163	07.0711.0259GT49	07.0711.0345GT43	07.0711.0478GT51, 161
07.0703.0368GT79	07.0711.0260GT49	07.0711.0347GT43	07.0711.0479GT51
07.0703.0382GT173	07.0711.0261GT49	07.0711.0348GT43	07.0711.0480GT53
07.0703.0383GT173, 177	07.0711.0262GT49	07.0711.0349GT43	07.0711.0481GT53
07.0703.0384GT169	07.0711.0263GT37, 49	07.0711.0350GT43	07.0711.0482GT53
07.0703.0419GT171	07.0711.0264GT37, 49	07.0711.0351GT43	07.0711.0483GT53
07.0703.0420GT79	07.0711.0265GT37, 49	07.0711.0352GT43	07.0711.0484GT53
07.0703.0423GT79, 171	07.0711.0266GT37, 49	07.0711.0353GT43	07.0711.0485GT53
07.0703.0424GT171	07.0711.0267GT37	07.0711.0354GT37	07.0711.0486GT53
07.0703.0425GT171	07.0711.0268GT37, 49	07.0711.0355GT37	07.0711.0487GT53
07.0703.0426GT171	07.0711.0269GT37, 49	07.0711.0356GT37	07.0711.0488GT53
07.0703.0427GT171	07.0711.0270GT37, 49	07.0711.0357GT37	07.0711.0489GT53
07.0703.0428GT171	07.0711.0271GT37, 49	07.0711.0358GT37	07.0711.0491GT55
07.0703.0429GT171	07.0711.0273GT49	07.0711.0359GT37, 49	07.0711.0492GT55
07.0703.0430GT171, 197, 199, 209	07.0711.0274GT49	07.0711.0360GT37	07.0711.0493GT55
07.0703.0431GT205	07.0711.0275GT37, 49	07.0711.0361GT41	07.0711.0494GT55
07.0703.0433GT171, 217, 219	07.0711.0276GT49	07.0711.0362GT41	07.0711.0495GT55
07.0703.0434GT171	07.0711.0277GT49	07.0711.0363GT39	07.0711.0496GT55
07.0703.0435GT171	07.0711.0278GT37, 49	07.0711.0364GT39	07.0711.0497GT55
07.0703.0440GT209	07.0711.0280GT45	07.0711.0365GT39	07.0711.0498GT55
07.0703.0441GT79	07.0711.0281GT45	07.0711.0366GT47	07.0711.0499GT55
07.0703.0462GT205	07.0711.0283GT45	07.0711.0367GT47	07.0711.0500GT55
07.0703.0485GT157	07.0711.0285GT45	07.0711.0368GT47	07.0711.0501GT43
07.0703.0486GT157, 167, 205	07.0711.0286GT45	07.0711.0369GT47	07.0711.0502GT43
07.0703.0494GT195, 199, 211	07.0711.0287GT45	07.0711.0370GT47	07.0711.0503GT51
07.0703.0531GT79	07.0711.0289GT45	07.0711.0371GT47	07.0711.0504GT43
07.0703.0532GT79, 209	07.0711.0290GT45	07.0711.0372GT47	07.0711.0509GT39
07.0703.0572GT171	07.0711.0291GT45	07.0711.0373GT47	07.0712.0141GT63
07.0703.0577GT171	07.0711.0292GT45	07.0711.0375GT47	07.0712.0142GT63
07.0703.0578GT171	07.0711.0293GT45	07.0711.0381GT51, 161	07.0712.0143GT63
		07.0711.0294GT45	07.0711.0382GT51	07.0712.0146GT63
		07.0711.0295GT45	07.0711.0384GT51	07.0713.0008GT59
		07.0711.0297GT45	07.0711.0387GT51	07.0713.0023GT59
		07.0711.0298GT45	07.0711.0390GT51	07.0713.0024GT59

Part Number	Page	Part Number	Page	Part Number	Page	Part Number	Page
07.0722.0060GT67	07.0735.0195GT231	07.0740.0115GT73	07.0740.0512GT75
07.0723.0197GT63	07.0735.0196GT231	07.0740.0116GT69, 73, 79	07.0740.0514GT71
07.0723.0303GT201	07.0735.0197GT231	07.0740.0117GT73, 201	07.0740.0518GT69
07.0723.0316GT201	07.0735.0198GT231	07.0740.0119GT81	07.0741.0011GT79
07.0723.0317GT201	07.0735.0199GT231	07.0740.0120GT81	07.0741.0012GT79
07.0723.0318GT201	07.0735.0200GT231	07.0740.0121GT81	07.0741.0023GT79
07.0723.0319GT201	07.0735.0201GT231	07.0740.0122GT81	07.0741.0065GT139, 141
07.0723.0320GT201	07.0735.0202GT231	07.0740.0125GT81	07.0741.0066GT139
07.0723.0321GT201	07.0735.0203GT231	07.0740.0126GT81	07.0741.0068GT139, 141
07.0723.0360GT63	07.0735.0204GT231	07.0740.0128GT69, 81	07.0741.0069GT139, 141
07.0726.0051GT103	07.0735.0205GT231	07.0740.0129GT81	07.0741.0071GT139, 141
07.0726.0054GT91	07.0735.0206GT231	07.0740.0130GT73, 81	07.0741.0072GT139, 141
07.0730.0072GT131	07.0735.0207GT231	07.0740.0132GT81	07.0741.0074GT139, 141
07.0730.0073GT131	07.0735.0208GT231	07.0740.0136GT143	07.0741.0075GT139, 141
07.0730.0074GT131	07.0735.0209GT231	07.0740.0143GT79	07.0741.0081GT139, 141
07.0730.0079GT131	07.0738.0000GT29	07.0740.0152GT79	07.0741.0082GT139
07.0733.0008GT57	07.0740.0000GT69	07.0740.0156GT73	07.0741.0083GT139
07.0733.0009GT57	07.0740.0001GT69	07.0740.0163GT73	07.0741.0088GT139, 141
07.0733.0010GT57	07.0740.0002GT69	07.0740.0202GT73	07.0741.0089GT139, 141
07.0733.0011GT57	07.0740.0004GT69	07.0740.0203GT73	07.0741.0090GT139, 141
07.0733.0012GT57	07.0740.0005GT69, 73	07.0740.0206GT79	07.0741.0091GT139, 141
07.0733.0013GT57	07.0740.0006GT69, 73	07.0740.0208GT79	07.0741.0103GT139, 141
07.0733.0014GT57	07.0740.0009GT69, 75	07.0740.0218GT81	07.0741.0113GT139, 141
07.0733.0015GT57	07.0740.0010GT69	07.0740.0219GT81	07.0741.0118GT139, 141
07.0733.0020GT57	07.0740.0012GT73	07.0740.0223GT71	07.0741.0119GT139
07.0733.0021GT57	07.0740.0014GT69, 71, 73, 75	07.0740.0227GT71	07.0741.0120GT139, 141
07.0733.0022GT57	07.0740.0015GT69	07.0740.0228GT71	07.0741.0124GT139, 141
07.0733.0023GT57	07.0740.0016GT73	07.0740.0231GT71	07.0741.0127GT139, 141
07.0733.0025GT57	07.0740.0018GT69	07.0740.0235GT69	07.0741.0128GT139
07.0733.0026GT57	07.0740.0020GT69	07.0740.0236GT69	07.0741.0129GT79
07.0733.0027GT57	07.0740.0021GT69	07.0740.0246GT73	07.0741.0130GT79
07.0733.0028GT57	07.0740.0022GT69	07.0740.0247GT73	07.0741.0133GT139
07.0733.0029GT57	07.0740.0026GT71, 73	07.0740.0248GT73	07.0741.0134GT139, 141
07.0733.0032GT57	07.0740.0027GT69	07.0740.0250GT71	07.0741.0135GT139
07.0733.0033GT57	07.0740.0028GT69, 73, 81	07.0740.0254GT201	07.0741.0136GT139, 141
07.0733.0035GT57	07.0740.0029GT71	07.0740.0255GT201	07.0741.0137GT139
07.0733.0036GT57	07.0740.0032GT75	07.0740.0256GT201	07.0741.0138GT139
07.0733.0037GT57	07.0740.0035GT71	07.0740.0257GT201	07.0741.0139GT139
07.0733.0040GT57	07.0740.0046GT73, 75	07.0740.0258GT201	07.0741.0142GT139
07.0733.0041GT57	07.0740.0048GT71	07.0740.0260GT201	07.0741.0143GT139
07.0733.0042GT57	07.0740.0049GT71	07.0740.0261GT201	07.0741.0144GT139, 141
07.0733.0043GT57	07.0740.0051GT71	07.0740.0263GT201	07.0741.0145GT139
07.0733.0044GT57	07.0740.0052GT71, 73	07.0740.0268GT201	07.0741.0149GT141
07.0733.0045GT57	07.0740.0054GT69	07.0740.0269GT201	07.0741.0152GT141
07.0733.0046GT57	07.0740.0058GT71	07.0740.0275GT71	07.0741.0161GT139, 141
07.0733.0047GT57	07.0740.0060GT71	07.0740.0276GT71	07.0741.0165GT141
07.0733.0048GT57	07.0740.0062GT71	07.0740.0279GT71	07.0741.0167GT139, 141
07.0733.0049GT57	07.0740.0066GT73	07.0740.0359GT85	07.0741.0168GT139, 141
07.0733.0050GT57	07.0740.0069GT75	07.0740.0360GT85	07.0741.0182GT141
07.0733.0051GT57	07.0740.0072GT73	07.0740.0361GT85	07.0741.0185GT141
07.0733.0052GT57	07.0740.0073GT73	07.0740.0367GT77	07.0741.0233GT139
07.0733.0053GT57	07.0740.0074GT73	07.0740.0370GT77	07.0741.0235GT139
07.0733.0054GT57	07.0740.0076GT69, 73	07.0740.0373GT71	07.0741.0236GT139
07.0733.0055GT57	07.0740.0078GT73	07.0740.0380GT203	07.0741.0273GT139, 141
07.0733.0056GT57	07.0740.0079GT73, 75	07.0740.0381GT203	07.0741.0274GT139, 141
07.0733.0057GT57	07.0740.0080GT73	07.0740.0392GT201	07.0741.0282GT139
07.0733.0058GT57	07.0740.0081GT73, 75	07.0740.0472GT77	07.0741.0297GT141
07.0733.0059GT57	07.0740.0082GT73	07.0740.0473GT77	07.0741.0298GT141
07.0733.0060GT57	07.0740.0084GT73	07.0740.0474GT77	07.0741.0301GT141
07.0733.0061GT57	07.0740.0085GT75	07.0740.0475GT77	07.0741.0302GT141
07.0733.0062GT57	07.0740.0086GT75	07.0740.0476GT77	07.0741.0303GT141
07.0733.0063GT57	07.0740.0087GT75	07.0740.0477GT77	07.0741.0304GT141
07.0733.0064GT57	07.0740.0088GT75	07.0740.0478GT77	07.0741.0305GT141
07.0735.0182GT231	07.0740.0089GT75	07.0740.0479GT77	07.0741.0306GT141
07.0735.0183GT231	07.0740.0090GT75	07.0740.0480GT77	07.0741.0308GT141
07.0735.0184GT231	07.0740.0091GT69	07.0740.0485GT77	07.0741.0309GT141
07.0735.0185GT231	07.0740.0095GT73	07.0740.0486GT77	07.4501.0057GT11, 59
07.0735.0186GT231	07.0740.0097GT73	07.0740.0498GT77	07.4501.0130GT61
07.0735.0187GT233	07.0740.0098GT73	07.0740.0502GT215	07.4501.0158GT59
07.0735.0188GT231	07.0740.0099GT75	07.0740.0503GT215	07.4501.0159GT59
07.0735.0189GT231	07.0740.0100GT73	07.0740.0504GT215	07.4501.0163GT11, 59
07.0735.0190GT231	07.0740.0102GT73	07.0740.0505GT215	07.4501.0164GT59
07.0735.0191GT231	07.0740.0103GT73	07.0740.0506GT215	07.4501.0165GT59
07.0735.0192GT231	07.0740.0104GT73	07.0740.0507GT215	07.4501.0166GT59
07.0735.0193GT231	07.0740.0105GT73	07.0740.0508GT215	07.4501.0176GT59
07.0735.0194GT231	07.0740.0106GT73	07.0740.0509GT215	07.4501.0177GT59

Part Number Index (continued)

Part Number	Page	Part Number	Page	Part Number	Page	Part Number	Page
07.4501.0190GT61	09.0803.0685GT71	09.4618.1675GT13, 15	09.4627.0035GT29
07.4501.0191GT11, 61	09.0803.0702GT23	09.4618.1676GT13, 15	09.4629.0027GT29
07.4501.0192GT11, 61	09.0803.0704GT25	09.4618.1677GT13	09.4632.0091GT29
07.4501.0270GT61	09.0803.0715GT215	09.4618.1678GT15	09.4632.0092GT29
07.4529.0031GT67	09.0803.0801GT23	09.4618.1679GT17	09.4633.0034GT29
07.4529.0071GT105, 107	09.0803.0806GT233	09.4618.1693GT13	09.4633.0038GT29
07.4529.0072GT105	09.0803.0808GT71	09.4618.1694GT17	09.4635.0014GT27
07.4529.0075GT151	09.0803.0829GT187	09.4618.1695GT17	09.4635.0022GT29
07.4529.0107GT197, 199	09.0803.0863GT143	09.4618.1696GT19	09.4635.0049GT29
07.4529.0131GT115	09.0804.0000GT59	09.4618.1697GT19	09.4636.0011GT145, 249
07.4529.0175GT105	09.0804.3402GT23	09.4618.1698GT19	09.4636.0019GT143
07.4529.0178GT107	09.0804.3403GT23	09.4618.1699GT19	09.4636.0022GT143
07.4529.0181GT105	09.0804.3404GT23	09.4618.1700GT19	09.4645.0015GT65
07.4529.0183GT105	09.0804.3405GT23	09.4618.1701GT19	09.4645.0033GT65
07.4529.0188GT33	09.0804.3406GT23	09.4618.1702GT19	09.4655.0000GT65
07.4529.0189GT33	09.0804.3407GT23	09.4618.1703GT19	09.4656.0006GT65
09.0610.0973GT201	09.0804.3408GT23	09.4618.1704GT19	09.4656.0017GT65
09.0801.0027GT105	09.0804.3409GT23	09.4618.1705GT19	09.4661.0015GT31
09.0801.0037GT105	09.0805.0000GT61	09.4618.1706GT19	09.4661.0016GT31
09.0802.0042GT35, 161	09.0805.0018GT61	09.4618.1707GT19	09.4661.0025GT31, 63
09.0803.0000GT23, 25	09.0805.0090GT61	09.4618.1708GT19	09.4661.0026GT31
09.0803.0002GT21	09.0805.0099GT65	09.4618.1709GT19	09.4670.0000GT21
09.0803.0007GT65	09.0805.0112GT65	09.4618.1710GT19	09.4670.0001GT27
09.0803.0008GT65	09.0805.0114GT61	09.4618.1713GT15	09.4670.0004GT59
09.0803.0012GT69, 79	09.0805.0220GT61	09.4618.1740GT13	09.4670.0014GT25
09.0803.0015GT133	09.0806.0008GT61, 63	09.4618.1769GT15	09.4670.0015GT25
09.0803.0023GT23	09.0806.0022GT63	09.4618.1770GT15	09.4670.0032GT25
09.0803.0026GT103, 189, 227	09.0806.0028GT63	09.4618.1783GT19	09.4670.0033GT29
09.0803.0031GT187, 207	09.0806.0042GT241	09.4618.1784GT19	09.4675.0000GT193
09.0803.0038GT225	09.4601.0056GT59	09.4618.1785GT19	09.4675.0003GT193
09.0803.0039GT225	09.4604.0000GT11, 31	09.4618.1786GT19	09.4675.0007GT103
09.0803.0042GT147	09.4604.0045GT159	09.4618.1787GT19	09.4675.0008GT103
09.0803.0043GT111, 113	09.4604.0047GT31	09.4618.1788GT19	101040GT177
09.0803.0045GT147, 233	09.4604.0070GT61	09.4618.1789GT19	101052GT177
09.0803.0046GT115	09.4604.0088GT61	09.4618.1790GT19	124221GT177
09.0803.0052GT63, 219	09.4605.0013GT63	09.4618.1791GT19	124234GT177
09.0803.0055GT103	09.4610.0032GT27	09.4618.1792GT19	125005GT177
09.0803.0060GT111, 113	09.4610.0033GT25	09.4618.1793GT19	1272242GT15
09.0803.0064GT117, 119, 123, 125	09.4610.0050GT77	09.4618.1794GT19	215645GT13
09.0803.0068GT227, 233	09.4610.0057GT69	09.4618.1795GT19	215646GT13, 15
09.0803.0069GT227, 233	09.4610.0066GT77	09.4618.1796GT19	215648GT13
09.0803.0070GT227	09.4616.0010GT13	09.4618.1797GT19	237720GT13, 15
09.0803.0074GT21, 31	09.4616.0109GT227	09.4618.1798GT19	237721GT13
09.0803.0147GT21, 31	09.4616.0114GT191	09.4618.1799GT19	237726GT15
09.0803.0148GT229	09.4616.0122GT103	09.4618.1800GT19	28159GT13
09.0803.0161GT189	09.4618.0093GT227, 233	09.4618.1801GT19	30143GT159
09.0803.0235GT23	09.4618.0243GT15	09.4618.1802GT19	49383GT105
09.0803.0257GT91, 93, 95, 97	09.4618.0920GT15	09.4618.1803GT19	51.0113.9069GT25
09.0803.0278GT21	09.4618.0922GT15	09.4618.1804GT19	51.0113.9072GT21
09.0803.0348GT65	09.4618.0923GT15	09.4618.1805GT19	51.0201.3957GT89
09.0803.0352GT21, 31	09.4618.0924GT15	09.4618.1806GT19	51.0201.3958GT89
09.0803.0363GT23	09.4618.0986GT15	09.4618.1807GT19	51.0201.3962GT87
09.0803.0395GT23, 25	09.4618.1051GT15	09.4618.1808GT19	51.0201.3963GT87
09.0803.0406GT101, 235	09.4618.1120GT13, 15	09.4618.1809GT19	51.0400.5022GT235
09.0803.0423GT203	09.4618.1189GT15	09.4618.1810GT19	51.0400.5023GT101
09.0803.0501GT23	09.4618.1263GT13	09.4618.1811GT19	51.0500.1802GT33
09.0803.0502GT23	09.4618.1264GT13	09.4618.1812GT19	51.0500.1824GT33
09.0803.0516GT23, 31, 33	09.4618.1375GT13	09.4618.1813GT19	51.0600.9305GT31
09.0803.0522GT147, 149, 233	09.4618.1398GT13	09.4618.1814GT19	51.0600.9306GT31
09.0803.0523GT111, 113, 147, 149, 233	09.4618.1399GT17	09.4618.1815GT19	51.0802.0600GT59
09.0803.0524GT147, 241	09.4618.1418GT17	09.4618.1816GT19	51.0802.0700GT59
09.0803.0525GT147, 241	09.4618.1419GT13	09.4618.1819GT13	51.0810.2000GT65
09.0803.0526GT147, 241	09.4618.1423GT13	09.4618.1820GT13	51.0810.2500GT65
09.0803.0527GT147, 241	09.4618.1456GT17	09.4618.1821GT13	51.0810.9200GT61
09.0803.0549GT81	09.4618.1457GT17	09.4618.1827GT13, 239	51.0811.0000GT95
09.0803.0560GT69	09.4618.1458GT15	09.4618.1837GT15	51.0811.0002GT221
09.0803.0574GT63	09.4618.1593GT15	09.4618.1840GT13	51.0811.1300GT59
09.0803.0578GT31	09.4618.1594GT13	09.4618.1884GT19	51.0811.1400GT59
09.0803.0609GT23	09.4618.1608GT235	09.4618.1885GT19	51.0811.4017GT63
09.0803.0651GT25	09.4618.1642GT19	09.4618.1886GT19	51.0811.4019GT27
09.0803.0659GT27	09.4618.1643GT19	09.4618.1889GT19	51.0811.4036GT79
09.0803.0663GT35	09.4618.1644GT19	09.4618.1890GT19	51.0811.4057GT111
09.0803.0664GT91, 93, 95, 97	09.4618.1645GT17	09.4618.1891GT19	51.0811.4063GT21
09.0803.0665GT91, 93, 95, 97	09.4618.1670GT13	09.4618.1920GT19	51.0811.4083GT225
09.0803.0674GT187	09.4618.1673GT13, 15	09.4618.1921GT19	51.0811.4092GT71
		09.4618.1674GT15	09.4618.2015GT15	51.0811.4094GT63

Part Number	Page	Part Number	Page	Part Number	Page	Part Number	Page
51.0811.4095GT63	51.0903.5157GT25	53.3402.4046GT117, 119, 123, 125	54.0300.0040GT93
51.0811.4122GT59	51.0903.5158GT29			54.0300.0041GT91
51.0811.4131GT87, 89	51.0903.5159GT29	53.3402.4047GT117, 119, 123, 125	54.0300.0043GT93
51.0811.4133GT87	51.0903.5160GT35			54.0400.0042GT95
51.0811.4136GT89	51.0903.5161GT35	53.3402.4048GT117, 119, 123, 125	54.0400.0043GT93
51.0811.4137GT89	51.0903.5162GT35			54.0400.0047GT95
51.0811.4160GT121	51.0903.5163GT33	53.3402.4049GT117, 119, 123, 125	54.0400.0048GT93
51.0811.4201GT93	51.0903.5164GT21			54.0600.0006GT111
51.0811.4230GT23	51.0903.5165GT33	53.3402.4050GT117, 119, 123, 125	54.0702.0080GT111
51.0811.4326GT189	51.0903.5166GT21			54.0702.0086GT87
51.0811.4349GT239	51.0903.5168GT25	53.3402.4051GT117, 119, 123, 125	54.0702.0087GT89
51.0811.4351GT23	51.0903.5194GT213			54.0702.0088GT87
51.0811.4366GT93	51.0903.5219GT111	54.0000.0083GT103	54.0702.0095GT93
51.0811.4367GT93	51.0903.5223GT21	54.0000.0235GT101	54.0702.0098GT87
51.0811.4394GT33	51.0903.5224GT27	54.0000.0247GT235	54.0702.0099GT87
51.0811.4409GT35	51.0903.5237GT165	54.0000.0253GT91, 93	54.0702.0100GT89
51.0811.4410GT35	51.1000.5213GT25	54.0000.0254GT91	54.0702.0101GT89
51.0811.4420GT35	51.1100.0039GT71	54.0001.0062GT27	54.0703.0011GT87, 89
51.0811.4424GT95	51.1100.0041GT73	54.0001.0076GT95	54.0703.0015GT33
51.0811.4428GT29	51.1300.0100GT227	54.0001.0077GT93	54.0703.0016GT33
51.0811.4439GT23	51.1300.0300GT227, 233	54.0001.0081GT101	54.0703.0017GT33
51.0811.4461GT27	51.1300.0700GT227	54.0001.0082GT95	54.0703.0018GT89
51.0811.4490GT217	51.1300.4800GT103	54.0001.0083GT93	54.0703.0019GT97
51.0811.4508GT29	51.1301.9115GT103	54.0001.0085GT107	54.0703.0020GT89
51.0811.4571GT165	51.1301.9144GT103	54.0001.0087GT197, 199	54.0703.0021GT89
51.0811.4572GT25	51.1301.9151GT25	54.0001.0088GT197, 199	54.0703.0022GT87
51.0811.4604GT87, 89	51.1301.9158GT227	54.0001.0092GT107	54.0703.0023GT87
51.0811.4605GT89	52.0900.0200GT87	54.0002.0018GT91, 93, 95, 97	54.0705.0074GT87
51.0811.4606GT89	52.0900.9309GT61	54.0002.0043GT221	55.0106.0060GT117, 119, 123, 125
51.0811.4607GT87	52.0900.9325GT111	54.0002.0044GT221		
51.0811.4609GT27	52.0900.9326GT111	54.0002.0063GT33	55.0106.0061GT117, 119, 123, 125
51.0811.4612GT107	52.0900.9327GT113	54.0002.0066GT105		
51.0811.4623GT61	52.0900.9328GT113	54.0002.0068GT105	55.0240.0051GT21
51.0811.4625GT29	52.0900.9329GT187	54.0002.0069GT105	55.0250.0019GT21
51.0811.4626GT29	52.0900.9337GT89	54.0002.0074GT33	55.0403.0080GT29
51.0811.4627GT29	52.1100.9114GT25	54.0002.0075GT101	55.0403.0087GT29
51.0811.4628GT29	52.1100.9124GT25	54.0002.0079GT101	55.0403.0096GT29
51.0811.4629GT23	52.1200.5531GT79	54.0003.0173GT105	55.0403.0097GT29
51.0811.4630GT27	52.1200.5532GT79	54.0003.0175GT25	55.0409.0139GT21
51.0811.4631GT27	52.1200.5533GT79	54.0003.0181GT105	55.0602.0275GT187
51.0811.4632GT27	52.1200.5534GT71	54.0004.0111GT25	55.0602.0288GT205
51.0811.4633GT25	52.1200.5535GT71	54.0004.0113GT93	55.0602.0290GT209
51.0811.4634GT221	52.1200.5541GT79	54.0017.0098GT209	55.0602.0392GT165
51.0811.4635GT221	52.1200.5542GT79	54.0100.0020GT25	55.0602.0447GT27
51.0811.4636GT221	52.1200.5545GT73	54.0100.0056GT103	55.0602.0448GT27
51.0811.4657GT65	53.0000.3819GT105	54.0100.0091GT27	55.0602.0508GT209
51.0811.4674GT69	53.0100.3221GT107	54.0100.0092GT201	55.0602.0525GT167, 169
51.0811.4675GT69	53.0300.2216GT105	54.0100.0094GT197, 199	55.0602.0533GT159
51.0811.4677GT143	53.0400.1814GT105	54.0100.0103GT33	55.0602.0534GT159
51.0811.4678GT69	53.0500.0601GT197, 199	54.0100.0128GT29	55.0602.0535GT159
51.0811.4686GT69	53.0600.1813GT221	54.0101.0002GT221	55.0602.0583GT35
51.0811.4702GT27	53.0700.0305GT115	54.0101.0019GT213	55.0602.0724GT187
51.0811.4703GT239	53.0800.2015GT33	54.0101.0020GT79	55.0602.0794GT187
51.0811.4721GT165	53.0900.0005GT33	54.0200.0000GT33, 87, 89	55.0602.0797GT213
51.0811.4723GT27	53.2900.0001GT239	54.0200.0001GT87, 89	55.0602.0813GT167
51.0811.4724GT73	53.3000.1100GT131	54.0200.0004GT87	55.0602.0817GT159
51.0811.4727GT219	53.3001.0500GT113	54.0200.0006GT87, 89	55.0602.0818GT165
51.0811.4735GT65	53.3001.6705GT151	54.0200.0007GT87, 89	55.0602.0819GT159
51.0811.4743GT167	53.3001.6813GT149	54.0201.0003GT87	55.0602.0820GT159
51.0811.4868GT237	53.3100.0041GT65	54.0201.0004GT87	55.0602.0934GT167
51.0811.4873GT229	53.3100.0055GT65	54.0201.0079GT95	55.0602.0940GT163
51.0903.3600GT65	53.3200.0052GT63	54.0201.0080GT93	55.0602.1034GT161
51.0903.4903GT31	53.3301.0005GT31	54.0201.0083GT105	55.0602.1035GT161
51.0903.4904GT31	53.3302.0029GT21	54.0201.0084GT105	55.0602.1036GT161
51.0903.4910GT21	53.3303.0000GT21, 23	54.0201.0085GT105	55.0602.1089GT229
51.0903.4911GT21	53.3303.0001GT23	54.0201.0088GT89	55.0700.0053GT19
51.0903.4912GT23	53.3332.0037GT61	54.0201.0089GT95	55.0700.0083GT19
51.0903.4920GT23	53.3400.5100GT133	54.0201.0090GT93	56.0000.0080GT187
51.0903.4941GT21	53.3401.9500GT117, 119, 123, 125	54.0300.0019GT91	56.0000.0096GT187
51.0903.4948GT31			54.0300.0020GT95, 97	56.0001.0006GT175
51.0903.4949GT31	53.3402.4027GT111	54.0300.0021GT93	56.0001.0009GT175
51.0903.5029GT23	53.3402.4044GT117, 119, 123, 125	54.0300.0028GT93	56.0001.0011GT179
51.0903.5030GT23			54.0300.0032GT95, 97	56.0001.0012GT181
51.0903.5031GT23	53.3402.4045GT117, 119, 123, 125	54.0300.0033GT93	56.0001.0013GT181
51.0903.5034GT23			54.0300.0034GT91, 93	56.0001.0021GT187
51.0903.5155GT197, 199			54.0300.0036GT91	56.0002.0000GT169

Part Number Index (continued)

Part Number	Page	Part Number	Page
56.0002.0031GT175	56.0010.0082GT229
56.0002.0036GT181, 185	56.0010.0088GT229
56.0002.0069GT173, 177	56.0010.0095GT237
56.0002.0073GT173	56.0010.0098GT229
56.0002.0097GT183	56.0012.0048GT209, 221
56.0002.0103GT173	56.0012.0056GT161
56.0002.0104GT177	56.0012.0063GT165
56.0002.0108GT173	56.0012.0066GT161
56.0002.0111GT173	56.0012.0067GT165
56.0002.0113GT175	56.0012.0068GT81
56.0002.0115GT183	56.0012.0069GT59
56.0002.0117GT175	56.0012.0089GT163
56.0002.0119GT175, 177	56.0013.0000GT161
56.0002.0128GT175	56.0013.0006GT161
56.0002.0132GT173	56.0013.0013GT59
56.0002.0134GT175	56.0013.0030GT59
56.0002.0139GT217	56.0013.0031GT59
56.0002.0140GT217	56.0013.0039GT161
56.0002.0141GT173, 175	56.0015.0013GT171
56.0002.0144GT173	56.0015.0017GT171
56.0002.0153GT177, 179	56.0016.0066GT167
56.0002.0169GT175, 177	56.0016.0085GT79
56.0002.0175GT173	56.0016.0108GT79
56.0002.0196GT175	56.0016.0109GT79
56.0002.0197GT175	56.0016.0179GT79
56.0002.0198GT175	56.0017.0003GT171
56.0002.0200GT185	56.0017.0006GT195, 199
56.0002.0226GT175	56.0017.0007GT211
56.0002.0234GT183	56.0017.0008GT211
56.0002.0235GT183	56.0017.0010GT195, 199
56.0002.0236GT181, 183	56.0017.0012GT211
56.0002.0237GT179, 183	56.0017.0032GT217, 219
56.0002.0238GT183	56.0017.0061GT171
56.0002.0239GT181	56.0017.0072GT187
56.0002.0240GT181	56.0017.0074GT211
56.0002.0242GT179, 183, 185	56.0017.0093GT171
56.0002.0243GT183	56.0017.0104GT171
56.0002.0254GT179	56.0017.0105GT171
56.0002.0255GT179	56.0017.0124GT217, 219
56.0002.0256GT179	56.0017.0125GT197, 199
56.0002.0257GT179	56.0017.0142GT171
56.0002.0258GT179	56.0021.0023GT209
56.0002.0259GT179	56.0021.0040GT157
56.0002.0260GT179	56.0021.0117GT157, 167
56.0002.0261GT181	56.0021.0134GT167
56.0002.0262GT181	56.0021.0135GT167
56.0002.0263GT181	56.0021.0138GT167
56.0002.0264GT181	56.0021.0181GT167
56.0002.0265GT181	56.0023.0053GT239
56.0002.0266GT181	56.0024.0027GT229
56.0002.0267GT181	57.0009.0607GT11
56.0002.0268GT183	59.0601.5027GT233
56.0002.0269GT183	62412GT207, 209
56.0002.0270GT183	627521GT151
56.0002.0307GT187	633795GT41
56.0002.0310GT187	633797GT41
56.0002.0622GT175, 177	633798GT41
56.0005.0009GT179, 205	634972GT157
56.0005.0014GT167	634973GT157
56.0005.0015GT167	634974GT157
56.0005.0016GT167	634976GT167, 205
56.0005.0017GT167	636519GT221
56.0005.0018GT159	637650GT157
56.0005.0019GT159	638243GT11, 59
56.0006.9207GT159	638744GT59
56.0006.9208GT159	638747GT59
56.0007.0010GT209	638748GT59
56.0008.0001GT159	640006GT171
56.0008.5215GT229	73713GT217
56.0009.0000GT163	905682GT57
56.0009.0009GT163, 237	992335GT57
56.0010.0004GT163	992375GT57
56.0010.0005GT169		
56.0010.0034GT163		
56.0010.0035GT163		
56.0010.0058GT163		

The Part Description Index is an alphabetical index of all part descriptions included in this manual. The index shows what page(s) the part is used on.

1
11-way Mark II Connector.....173
12-way Deutsch Connector.....175
1st Telescope Boom.....87

2
2-way Connector.....175
2nd Telescope Extension Cylinder.....107
2nd Telescope Extension Cylinder Foot Pin.....107
2nd Telescope Extension Cylinder Head Pin.....107

3
3-way Connector PF TS Standard Series Sealed.....183
3-Way Deutsch Connector.....173, 177
3-way Deutsch Connector.....173, 177
3-WAY FITTING.....81
3rd Telescope Boom.....89

4
4 Way Female Connector Holding Plate.....217
4-WAY CONNECTOR.....183
4th Telescope Boom.....89

5
5-way Mark II Connector.....173

6
6-way Connector.....175
6-way Deutsch Connector.....173, 177

7
7-way PF Connector for Towing Attachment.....179

9
90° Faston Spade Lug.....181

A
ACCELERATOR PEDAL.....65
ACCUMULATOR 0.5 L.....127, 131
ACCUMULATOR 1.5 L.....131
Adapter Bracket.....79
ADAPTER,REDUCTION,HOSE.....241
Addition Fuel Thermistor.....59
Adhesive Antislip 305 mm X 1,5 m.....23
ADHESIVE BAND.....21, 23
ADHESIVE GASKET.....71, 73
ADHESIVE GASKET,SEAL 30MM.....229
ADHESIVE PROFILE69
Air Conditioning Glass Switch.....205
AIR CONDITIONING WIRING HARNESS...205
Air Conveyor.....63
Air Conveyor Protection.....63
AIR FILTER.....73
Air Filter.....61
AIR GRID.....73
Air Hose.....81
AIR INLET.....81

AIR INLET D76.....81
AIR OUTLET.....85
ALARM.....163, 237
Alternator.....59
Alternator Line.....159
AMPSEAL 23-way Connector PF.....183
Anchor Boom Chain 1" - 6X6.....95, 97
Arm.....215
Attachement Lock Pin.....235

B
Back Cover Assembly.....77
Back Foam Kit.....77
BACK-UP RING.....57
Backup Battery 12V 1,2Ah.....229
Ball.....55
Ball Joint.....45
BALL VALVE.....151
BALL VALVE 1/4F.....63
BASE LIGHT ELEMENT.....229
BASKET,PLUG.....31
BATTERY CUT-OUT SWITCH.....159
BATTERY POSITIVE HARNESS.....209
Battery Support.....23
BATTERY,12V,1000 CCA GRP 31.....159
Bearing.....39, 41, 43, 53
Bearing 2Z-6011.....57
Bearing 30214.....57
Bearing 32215.....57
Bearing Needles.....53
Bearing Needles (by tens).....43
Belleville Washer.....37, 47, 49
Belt.....59, 203
Belt Tensioner.....203
Bevel Gear Kit.....41
BLACK - SYMBOL.....171
Blade.....215
BLINKER RELAY.....157
Body Valve OC.10.09.066 (3/8).....117, 119, 123, 125
Bolt.....51, 55, 231
Bolt M10x10.....53
Bolt M10x30.....53
Bolt M10x50.....51
Bolt M12x16.....55
Bolt M12x25.....53
BONDED RING 1".....31, 135, 145, 249
BONDED RING 1"1/4.....153
BONDED RING 1/2".....31, 83, 115, 117, 119, 127, 131, 151, 195, 197, 199
BONDED RING 1/4".....111, 133, 197, 199
Bonded Ring 1/4".....131
BONDED RING 2".....151
BONDED RING 3/4.....131, 207
Bonded Ring 3/4".....131, 145, 249
BONDED RING 3/8".....31, 33, 117, 123, 125, 131, 133, 135, 143, 145, 207, 239, 249
BONDED RING M13.....133
BOOM 2ND SECTION.....87
Boom Articulation.....101
Boom Chain Pulley.....95
Boom Turret Pin.....25
BOX, EMERGENCY BUTTON.....209
BRACKET.....29, 65, 73, 167, 201
Bracket.....59, 61, 63, 65, 79, 201
Bracket Double D9,5.....187

BRACKET,BATTERY LOCKING.....23
Brake Counter Disc.....47
Brake Disc.....47
Brake piston (Pos.).....47
Brake Shaft.....57
Braket Hook.....225
BREATHER.....37
Breather.....51
Breather M10x1.....37, 49
BUBBLE LEVEL.....69
BULB.....163, 169
BULB, HEADLAMP.....163
BULB,12V,45/40W.....163
BUMP STOP,RUBBER.....69
Bush.....37, 45, 49, 231
BUSHING.....37, 49, 71, 87
Bushing.....89, 95, 105, 215
BUSHING 70/80X70.....87
Bushing 70/80x70.....87
Bushing D.30/40.....93
BUSHING D.35/45.....93
Bushing D=40/50 - 40.....95
BUSHING M10X13.5.....87, 89
BUSHING M10X8.5.....33, 87, 89
BUSHING M14.....87, 89

C
C/c D. 10 For Wire D. 25.....175
C/c D. 10 For Wire D. 70.....177
C/c D. 5,3 For Wire D. 1-2,5.....175, 177
C/c D. 8 For Wire D. 10.....175
Cabin Protection Grid.....213
Cable Fixing Kit.....65
CABLE GLAND.....209
Cable Guide Bracket.....219
Cable Terminal D6.4 x 16 sq mm.....181
CAP.....69
Cap.....139, 141
CAP,HYDRAULIC FILTER.....31
CARDAN SHAFT.....29
CARDAN SHAFT ASSY KIT.....29
Carter.....21, 31
CARTRIDGE.....115, 117, 119, 123, 125
C a r t r i d g e
VEI-8A-2T-06-NA-S/OD.1532181700.....117, 119, 123, 125
CEILING LIGHT.....73
Cell Cable Long Tube - Outrigger.....35
Cell Cable Short Tube - Outrigger.....35
CEMBRE CABLE TERMINAL D10 X 16.00 SQ MM.....181
Central Body.....37, 49
Centring Bush.....43
CHAIN.....103
Chain.....227, 233
CHAIN PIVOT PLATE.....91
Chain Tensioner.....93
CHAIN TERMINAL.....91, 93
Chain Terminal.....95, 97
Chain Tie Bar Pin.....93
Chain, Pivot Plate.....91
Chassis.....21
CHASSIS ELECTRIC LINE.....161
Chassis lock kit.....25
Circlip De 55X3 Uni 7436.....57
Circlip Di 90X3 Uni 7437.....57

Part Description Index (continued)

- Circlip Uni 7437-120.....57
 CLAMP.....65
 Clamp.....45, 61, 133, 231
 Clamp D16.....63
 CLAMP D16 HOLE 8.4.....217
 CLAMP D60 HOLE 10.5.....127, 131
 Clamp D8.....187
 CLAMP DN 15/25 LG 9.....83, 241
 CLAMP DN 22/32 LG 9.....81
 CLAMP DN 40/60 LG12.....61, 81, 201
 CLAMP DN 60/80 LG12.....61
 CLAMP DN 80/100 LG12.....61
 CLAMP,DOUBLE,D16.....111, 113, 227, 233
 Clip.....23
 COATING.....71
 COBO Series 600 Int. Connector.....179
 CODIFIED PROXIMITY SENSOR INTERFACE.....161
 Collapsible Spacer.....41
 Collar.....107
 Compensator.....139
 Compensator Spring.....139, 141
 Compesator.....139, 141
 Complete Cardan Shaft.....29
 Complete Cylinder.....231
 Complete Diesel Prefilter.....11, 59
 Complete Diesel Tank.....21
 COMPLETE ELEMENT.....141
 Complete Fork.....231
 COMPLETE HANDLE.....79
 Complete Handle.....79
 Complete Heatsink.....63
 Complete Hydraulic Compressor.....203
 Complete Hydraulic Oil Tank.....21
 Complete Inlet manifold.....139, 141
 Complete Joystick.....79
 Complete Ladder.....21
 Complete Left Wheel 18" - Air Filled.....29
 Complete Left Wheel 18" - Mix Crumb Filled.....29
 COMPLETE LOWER DOOR SECTION.....71
 COMPLETE MIRROR.....73
 Complete Mirror.....73
 Complete Right Wheel 18" - Air Filled.....29
 Complete Right Wheel 18" - Mix Crumb Filled.....29
 Complete Roller.....231
 Complete Section.....139, 141
 Complete Service Brake.....131
 Complete Solenoid Valve.....67, 137
 Compressor.....203
 CONDENSER.....201
 CONNECTOR.....173, 175, 177, 181, 187
 Connector.....175, 177
 CONNECTOR HOLDER.....187
 CONNECTOR, 24-WAY.....183
 CONNECTOR, 36 PIN.....173
 CONNECTOR, 6 WAY.....173, 175
 CONNECTOR, 6WAY.....173
 CONNECTOR,1 WAY.....181
 CONNECTOR,12 WAY,FEMALE.....181, 185
 CONNECTOR,17 WAY,MALE.....173
 CONNECTOR,2 WAY,FEMALE.....177, 179
 CONNECTOR,2 WAY,MALE.....173, 175
 CONNECTOR,21 WAY.....179, 183
 CONNECTOR,21 WAY,FEMALE.....177
 CONNECTOR,24 WAY.....185
 CONNECTOR,3 WAY.....179, 183, 185
 CONNECTOR,4 WAY.....181
 CONNECTOR,4 WAY,FEMALE.....217
 CONNECTOR,6 WAY.....183
 CONNECTORS HOLDER.....69
 CONTACT.....79, 209
 Contact.....79
 CONTROL LEVER, LEFT, TRANSMISSION.....79
 CONTROL LEVER, RIGHT, TURN SIGNAL, LIGHTS, WIPER.....79
 Control Unit Potentiometer.....81
 CONTROL UNIT RELE 12V.....167
 CONTROLS ELECTRIC EMERGENCY DECAL.....15
 Cosmetic - GENIE GTH-5021 R 39x4.....13
 Cosmetic - GENIE GTH-5021 R 70X7.....15
 Cosmetic - GENIE Logo WHITE.....13, 15
 COTTER PIN D2X25 UNI 1336 ZN.....91, 93, 95, 97
 Counterweight.....25
 Coupling.....57
 COVER.....21, 23, 27, 61, 69, 165
 Cover.....25, 31, 51, 57, 73, 111
 COVER,JOYSTICK.....79
 COVER,MAIN VALVE.....25
 COVER,RADIO HOUSING.....79
 COVER,SPEAKER.....73
 COVERING.....69
 Crown Gear.....43
 Cylinder.....197, 199
 Cylinder Head.....45
 Cylinder Support.....231
- D**
- D10 Cable Terminal for 10 sq mm Cable.....179
 Damping.....23
 DASHBOARD INDICATORS, LIGHT.....171
 Dashboard Line.....167
 DASHBOARD,CENTRAL.....79
 DASHBOARD,FRONT.....79
 DASHBOARD,LOWER.....79
 Decal - Angle Indicator.....13
 Decal - Angle Indicator Scale.....13
 Decal - Crush Hazard.....13, 15
 Decal - Engine Cover Opening.....15
 Decal - Lifting & Anchoring.....13
 Decal - Lock.....15
 Decal - Main Valve Manual Use.....13
 Decal - No washing Electrical Joint.....13, 239
 Decal - Outrigger Max Pressure 4,6KG/CM2.....13, 15
 Decal - Right Control Lever.....17
 Decal - Stay Away From Outrigger.....13, 15
 Decal - Testing Ports GTH-4016 SR.....15
 Decal - TP1 Testing Port.....13
 Decal - TP5 Testing Port.....13
 Decal - TP8 Testing Port.....13
 Decal - Tyre Inflat. P=7.5bar.....13, 15
 Decal - Unlock.....15
 DECAL, 2 DECAL COMBO.....13, 15
 DECAL, CRUSH HAZARD.....15
 DECAL, FALL HAZARD.....13
 Decal, Maximum Capacity 5000 Kg.....13
 DECAL,BATTERY CUT-OUT SWITCH.....15
 DECAL,BIODEGRADABLE HYDRAULIC OIL.....13
 DECAL, BODY CRUSH, ROLLING MACHINE.....13, 15
 DECAL,BURN HAZARD.....15
 DECAL,BURN/EXPLOSION HAZARD.....15
 DECAL,COMPARTMENT ACCESS.....15
 DECAL,CRUSH HAZARD.....15
 DECAL,DANGER,EXPLOSION/BURN,DI.....13
 DECAL,DO NOT USE ETHER.....15
 DECAL,DOOR UNLOCK SYSTEM.....17
 DECAL,EMERGENCY EXIT.....17
 DECAL,EXPLOSION HAZARD.....13
 DECAL,HYDRAULIC OIL.....13
 DECAL,INPUT POWER,110VAC.....177
 DECAL,LABEL,DIESEL FUEL.....13
 DECAL,LEFT JOYSTICK.....17
 DECAL,LOAD LIMITING SYSTEM DISABLING.....17
 DECAL,MACHINE REGISTRATION/OWNER TRANSFER.....15
 DECAL,MAX CAPACITY.....15
 DECAL,QUICK GUIDE.....17
 DECAL,RESPECT THE TRUCK CAPACITY.....13
 DECAL,RIGHT JOYSTICK.....17
 DECAL,SAFETY COLLAR.....15
 DECAL,SAFETY PIN.....13
 DECAL, WARN, EXPLOSION/BURN HAZARD.....15
 DECAL,WARN,WEAR SEAT BELT.....13
 DECAL, WARNINGS.....17
 Deutz 2-way Connector PF Sealed C015.....183
 Deutz HDP20 31-way Connector PF In Line.....183
 Deutz Series HDP20 31-way Connector PM.....181
 Diesel Engine.....59
 Diesel Prefilter Body.....59
 Diesel Prefilter Element.....59
 Diesel Prefilter Element Kit.....59
 Diesel Tank Body.....31
 Diesel Tank Cap.....31
 Differential Drive Plate.....39
 Differential Housing.....39
 Differential Kit.....39
 Differential Plate.....39
 DOOR CATCH.....73
 Door Frame.....71
 DOOR LOCK.....71
 DOOR LOCK COVER.....71
 DOOR RUBBER/PIPE FITTING.....61, 63
 DOOR SEAL.....71
 DOOR,INSPECTION,HYD TANK.....31
 DOUBLE HOSE.....187
 DOUBLE HOSE 1/2 LG 3025 FD 13/16-16 FD.....111, 113
 DOUBLE HOSE BRACKET D14.....147, 233
 DOUBLE HOSE CLAMP D18.....147, 149, 233
 DOUBLE HOSE CLAMP D22.....147, 241
 DOUBLE HOSE LOCKING PLATE D18.....111, 113, 147, 149, 233
 DOUBLE HOSE LOCKING PLATE D22.....147, 241
 DOUBLE HOSE LOCKING PLATE D30.....147, 241
 Double U-Joint Kit.....43
 Dowel.....139, 141
 DOWEL M12X25 UNI 5927 12.9 ZN.....103
 DOWEL M8X16 UNI 5927 12.9 ZN.....93, 95
 DPF - Symbol.....171
 Drilled Screw M12X1.....133
 Driver Line.....167
 Dust Exhaust Valve.....61

E

ELASTIC JOINT.....59
 Elbow 90° M3/4-16 UNF 11/16-16 ORFS.....207
 Elbow Iron Pipe.....61
 Electric Line Fixing Bar.....187
 ELECTRIC PUMP.....207, 209
 Electrical Fan.....85
 Electrical Joint.....239
 Emergency button.....79
 ENABLING FUNCTION SWITCH.....79
 End Plate.....57
 Engine Base Carter.....23
 Engine Carter Cap.....23
 Engine Cover.....23
 Engine Lateral Carter.....23
 Engine Line.....159
 ENGINE SUPPORT,LEFT.....59
 ENGINE SUPPORT,RIGHT.....59
 Engine Upper Carter.....23
 EVAPORATOR.....201

F

F. F. Large Ratchet Stop 4-6 sq mm.....179
 Fan.....63
 Fem 3A Fork 150x50 L=1200.....227
 Flexible Hose R2 X 1/2" Lg. 2600 F90 - FD 13/16"-16 ORFS.....129, 135
 Filter.....201
 FILTER, DIESEL FUEL.....11, 59
 FILTER, HYD. OIL TANK.....11, 31
 Fitting CMF G1/2 ES LG.45.....83
 Fitting Plate Turret.....27
 Flange.....41, 53, 57
 Flashing Beacon.....169
 Flashing Beacon Bracket.....69
 Flat Male Plug, Galvanised.....181, 183
 FLAT WASHER D10 UNI 6592 ZN.....23, 25, 31, 33, 63, 67, 87, 89, 105, 107, 121, 137, 203, 207
 FLAT WASHER D10 UNI 6593 ZN.....23, 27, 65, 197, 199, 213
 FLAT WASHER D12 UNI 5714 ZN.....59, 67, 93
 FLAT WASHER D14 UNI 6592 ZN.....29, 59, 87, 89, 107, 225, 239
 FLAT WASHER D14 UNI 6593 ZN.....21
 FLAT WASHER D16 UNI 5714 ZN.....27, 67, 91, 95, 97, 239
 FLAT WASHER D16 UNI 6592 ZN.....29, 115
 FLAT WASHER D18 UNI 5714 ZN.....91, 93
 FLAT WASHER D20 UNI 6592 ZN.....29, 95, 97
 FLAT WASHER D22 UNI 6592 ZN.....25, 29
 FLAT WASHER D22 UNI 6593.....25
 FLAT WASHER D24 UNI 6592 ZN.....29, 221
 FLAT WASHER D4 UNI 6592.....69
 FLAT WASHER D5 UNI 6592 ZN.....21, 23, 25, 65
 FLAT WASHER D6 UNI 6592 ZN.....21, 25, 27, 33, 63, 81, 101, 113, 133, 135, 143, 155, 159, 207, 221, 233, 235
 FLAT WASHER D6 UNI 6593 ZN.....23, 25, 33, 35, 65, 81, 131, 133, 137, 165, 167, 201, 237
 FLAT WASHER D8 UNI 6592 ZN.....21, 25, 27, 31, 35, 59, 61, 63, 69, 75, 79, 93, 95, 105, 111, 127, 131, 135, 137, 145, 149, 169, 201, 203, 217, 219, 227, 237, 249
 FLAT WASHER D8 UNI 6593 ZN.....21, 23, 25, 27, 59, 63, 65, 69, 81, 197, 199, 221
 FLAT WASHER D8X32 UNI 6593 ZN.....61

Flexible Exhaust Pipe.....65
 FLEXIBLE HOSE.....117, 119, 123, 125
 Flexible Hose.....125, 131
 Flexible Hose SHIELDMASTER/5000 X 1/2" LG 5400 FD - F90 13/16"-16 ORFS.....111, 113
 Flexible Hose BM6K 1 1000 FL90 D.47FL180 D.47.....153
 Flexible Hose ETERNITY/2 X 1/2 3800FD - FD 13/16"-16.....111
 Flexible Hose ETERNITY/2 X 1/4 2200 Hole D.12 FD 9/16"-18.....133
 Flexible Hose ETERNITY/2 X 3/4 1900 F90 3/4" BSP FD 1 3/16"-12 OR.....249
 Flexible Hose ETERNITY/2 X 3/4 2000 FD F90 1 3/16"-12.....127
 Flexible Hose ETERNITY/2 X 3/4 2150F90 F45 1 3/16"-12 A 180°.....127
 Flexible Hose ETERNITY/2 X 3/4 3300 FD FD 1 3/16"-12.....109
 Flexible Hose R1 X 1/2 1400 FD 1/2" BSP F90 13/16"-16 ORFS.....241
 FLEXIBLE HOSE R1 X 1/2 2000 FD FD 13/16"-16.....145
 Flexible Hose R1 X 1/2 2000 FD FD 13/16"-16.....249
 Flexible Hose R1 X 1/2 2600 F90 FD13/16"-16.....207
 Flexible Hose R1 X 1/2 900 F90 F90 13/16"-16 ORFS A 270°.....115
 Flexible Hose R1 X 1/2 LG.500 FD FD13/16-16 ORFS.....131
 Flexible Hose R1 X 1/2" Lg. 3000 FD - F90 1/2 BSP ORFS.....83
 Flexible Hose R1 X 1/2" Lg. 3000 FD - FD 1/2 BSP ORFS.....83
 Flexible Hose R1 X 1/2" Lg. 500 F90 - FD 13/16"-16 ORFS.....223, 251
 Flexible Hose R1 X 1/4 1700 F90 F90 9/16"-18 90°.....153
 Flexible Hose R1 X 1/4 700 F90 F90 9/16"-18 270°.....245
 Flexible Hose R1 X 1/4 700 FD-FD 9/16-18 ORFS.....155
 FLEXIBLE HOSE R1 X 1/4 LG. 400 FD F90 9/16-18 ORFS.....223
 Flexible Hose R1 X 1/4 LG. 400 FD F90 9/16-18 ORFS.....251
 Flexible Hose R1 X 1/4" Lg. 1400 F90 - F90 9/16"-18 ORFS.....133, 155
 Flexible Hose R1 X 1/4" Lg. 900 F90 - F90 9/16"-18 ORFS A 90°.....133, 155
 Flexible Hose R1 X 3/4 1700 FD BSP F90 1 3/16"-12 ORFS.....145
 Flexible Hose R1 X 3/4 1800 F90 F90 1 3/16"-12 ORFS A 270°.....249
 Flexible Hose R1 X 3/4 2050 F90 F90 1 3/16"-12 90°.....245
 Flexible Hose R1 X 3/4 850 F45 F90 1 3/16"-12.....153
 Flexible Hose R1 X 3/4" LG. 1100 F90° - F45 1"3/16-12 ORFS.....153
 Flexible Hose R1 X 3/4" Lg. 3200 F90 - F90 1"3/16-12 ORFS 180°.....145
 Flexible Hose R1 X 3/8 1300 FD BSP F90 11/16"-16 ORFS.....143
 Flexible Hose R1 X 3/8 2300 F90 F90 11/16"-16 270°.....247
 Flexible Hose R1 X 3/8 LG.550 FD FD11/16-16 ORFS.....131
 Flexible Hose R2 (380 BAR) X 3/4 LG.2800 FD 3/4 BSP FD 1"3/16.....145
 Flexible Hose R2 X 1/2 2400 F90 F90 13/16"-16 270°.....243, 251
 Flexible Hose R2 X 1/2 3000 FD BSP FD 13/169 ORFS.....131
 Flexible Hose R2 X 1/2 800 FD 1/2 BSP F90 13/16 ORFS.....117, 119
 Flexible Hose R2 X 1/2 950 FD 1/2" BSP F90 13/16-16 ORFS.....135
 Flexible Hose R2 X 1/2 LG. 1550 FD - F90 13/16"-16 ORFS.....111, 243, 251
 Flexible Hose R2 X 1/2 LG. 2400 FD -FD 13/16-16 ORFS.....145, 249
 Flexible Hose R2 X 1/2 LG.1000 FD F90 13/16 ORFS.....111, 113
 Flexible Hose R2 X 1/2 LG.2600 FD BSP FD 13/16 ORFS.....117, 119
 Flexible Hose R2 X 1/2 LG.850 F90 F90 13/16"-16 ORFS.....117, 119
 Flexible Hose R2 X 1/2" Lg. 1450 FD - F90 13/16"-16 ORFS.....243, 251
 Flexible Hose R2 X 1/2" Lg. 2300 FD - F45 13/16"-16 ORFS.....151
 Flexible Hose R2 X 1/4 1100 FD FD 9/16-18.....133, 155
 Flexible Hose R2 X 1/4 1200 F90 F90 9/16"-18 A 90°.....245
 Flexible Hose R2 X 1/4 1400 F90 FD 9/16"-18 ORFS.....131, 245
 Flexible Hose R2 X 1/4 1700 F90 9/16"-18 F90 1/4 BSP 270°.....133
 Flexible Hose R2 X 1/4 2200 FD BSP F90 9/16 ORFS.....131
 Flexible Hose R2 X 1/4 3300 F90 FD 9/16"-18 ORFS.....111
 Flexible Hose R2 X 1/4 LG 2500 FD BSP FD 9/16 ORFS.....131
 Flexible Hose R2 X 1/4 LG. 2600 FD - F90 9/16"-18 ORFS.....145, 249
 Flexible Hose R2 X 1/4 LG.2400 F90 F90 9/16"-18 180°.....133
 Flexible Hose R2 X 1/4 LG1900 FD-F90 9/16"-18 ORFS.....129
 Flexible Hose R2 X 1/4" 450 Bar Lg. 800 FD - F90 9/16"-18 ORFS.....153
 Flexible Hose R2 X 3/4 550 F90 F45 1 3/16"-12 A 90°.....145, 249
 Flexible Hose R2 X 3/4 LG. 2000 FD - F90 1 3/16"-12 ORFS.....131
 Flexible Hose R2 X 3/4" 280 Bar Lg. 1950 F90 - FD 1"3/16-12 ORFS.....249
 Flexible Hose R2 X 3/8 2200 F90 BSP FD 11/16 ORFS.....143
 Flexible Hose R2 X 3/8 3200 F90 FD 11/16"-16 ORFS.....143
 Flexible Hose R2 X 3/8 4000 FD F90 11/16"-16.....123, 125
 Flexible Hose R2 X 3/8 LG 500 FD F90 11/16-16 ORFS.....117, 119, 123, 125
 Flexible Hose R2 X 3/8 LG. 1100 F90 F90 A90° 11/16-16 ORFS.....143
 Flexible Hose R2 X 3/8 LG. 1300 F90 FD 11/16-16 ORFS.....247
 Flexible Hose R2 X 3/8 LG. 900 FD F90 11/16-16 ORFS.....117, 119, 123, 125, 127
 Flexible Hose R2(2SC) 1/4 800 F45 F45 9/16"-18 ORFS A 90°.....133

HOSES PROTECTION.....233	Lenght-Angle-Temp. Transducer.....165	Load Chart - GM-1 Fork, 360°, Used By
HOUR METER.....171	LEVEL INDICATOR, HYDRAULIC OIL.....161	Outriggers.....19
Housing Brake.....57	Lever.....139	Load Chart - GM-1 HH3T Winch, Front.....19
Hub.....59	Lever And Cover Assembly.....139, 141	Load Chart - GM-1 HH3T Winch, Side.....19
HYD OIL FILTER.....31	Lever Lock.....23	Load Chart - GM-1 HH3T Winch, Used By
Hydraulic Flow Direction Symbol.....211	LEVER STICK.....141	Outriggers.....19
Hydraulic Jack.....193	License Plate Support.....27	Load Chart - GM-1 HH5T Winch, Front.....19
Hydraulic Motor.....27, 67, 203	Lift Cylinder Security Bracket.....25	Load Chart - GM-1 HH5T Winch, Side.....19
HYDRAULIC MOTOR SEAL KIT.....67	Lifting Cylinder.....105	Load Chart - GM-1 HH5T Winch, Used By
Hydraulic Oil Tank Body.....31	Lifting Cylinder Foot Pin.....105	Outriggers.....19
Hydraulic Oil Tank Cap.....31	Lifting Cylinder Head Pin.....105	Load Chart - GM-1 P 2000 Jib, Front.....19
Hydraulic Oil Tank Cover.....31	LIGHT,FRONT,LEFT.....163	Load Chart - GM-1 P 2000 Jib, Side.....19
Hydraulic Pump.....131	LIGHT,FRONT,RIGHT.....163	Load Chart - GM-1 P 2000 Jib, Used By
Hydraulic Pump 1.....67	LIGHT,TRAFFIC ROAD PLATE.....163	Outriggers.....19
HYDRAULIC PUMP 2 SEAL KIT.....67	Load Chart - 2000Kg Winch, 360°, Used By	Load Chart - GM-1 PC 40 Hook, Front.....19
Hydraulic Pump 3.....67	Outriggers.....19	Load Chart - GM-1 PC 40 Hook, Side.....19
Hydraulic Rotating Joint Brack.....239	Load Chart - 2000Kg Winch, Front.....19	Load Chart - GM-1 PC 40 Hook, Used By
Hydraulic Rotating Joint Support.....239	Load Chart - 2000kg Winch, Side.....19	Outriggers.....19
Hydraulic Valve.....131	Load Chart - 2P300 F Manplatform, Used By	Load Chart - GM-1 PC 50 Hook, Front.....19
Hydraulic Joint.....239	Outriggers (for NOT EU Market).....19	Load Chart - GM-1 PC 50 Hook, Side.....19
	Load Chart - 3P 700 REM4400 Manplatform,	Load Chart - GM-1 PC 50 Hook, Used By
	Used By Outriggers (for NOT EU Market).....19	Outriggers.....19
	Load Chart - 4000kg Winch, 360°, Used By	Load Chart - GM-1 PT 2000 Jib, Front.....19
	Outriggers.....19	Load Chart - GM-1 PT 2000 Jib, Side.....19
	Load Chart - 4000kg Winch, Front.....19	Load Chart - GM-1 PT 2000 Jib, Used By
	Load Chart - 4000kg Winch, Side.....19	Outriggers.....19
	Load Chart - 5000kg Winch, 360°, Used By	Load Chart - Hook, 360°, Used By
	Outriggers.....19	Outriggers.....19
	Load Chart - 5000kg Winch, Front.....19	Load Chart - Hook, Front.....19
	Load Chart - 5000kg Winch, Side.....19	Load Chart - Hook, Side.....19
	Load Chart - 900Kg Winch, 360°, Used By	Load Charts GM-1 Articulation KIT.....19
	Outriggers.....19	Load Charts Standard KIT.....19
	Load Chart - 900Kg Winch, Front.....19	Lock.....23
	Load Chart - 900Kg Winch, Side.....19	LOCK CLIP.....25
	Load Chart - Bucket, 360°, Used By	Lock Ring.....47, 171
	Outriggers.....19	Lock Washer.....41
	Load Chart - Bucket, Front.....19	LOCKING BRACKET.....25
	Load Chart - Bucket, Side.....19	Locking Plate.....39
	Load Chart - Fork Side Shift And Positioner,	Lower Plate.....29
	360° Used By Outriggers.....19	
	Load Chart - Fork Side Shift And Positioner,	
	Front.....19	
	Load Chart - Fork Side Shift And Positioner,	
	Side.....19	
	Load Chart - Fork, 360°, Used By	
	Outriggers.....19	
	Load Chart - Fork, Front.....19	
	Load Chart - Fork, Side.....19	
	Load Chart - GM-1 1000LT Bucket, Front.....19	
	Load Chart - GM-1 1000LT Bucket, Side.....19	
	Load Chart - GM-1 1000LT Bucket, Used By	
	Outriggers.....19	
	Load Chart - GM-1 1200 Kg Jib, Front.....19	
	Load Chart - GM-1 1200 Kg Jib, Side.....19	
	Load Chart - GM-1 1200 Kg Jib, Used By	
	Outriggers.....19	
	Load Chart - GM-1 1600 Kg Jib, Front.....19	
	Load Chart - GM-1 1600 Kg Jib, Side.....19	
	Load Chart - GM-1 1600 Kg Jib, Used By	
	Outriggers.....19	
	Load Chart - GM-1 4T Jib, Front.....19	
	Load Chart - GM-1 4T Jib, Side.....19	
	Load Chart - GM-1 4T Jib, Used By	
	Outriggers.....19	
	Load Chart - GM-1 6T Jib, Front.....19	
	Load Chart - GM-1 6T Jib, Side.....19	
	Load Chart - GM-1 6T Jib, Used By	
	Outriggers.....19	

I

INCLINOMETER.....209, 221

INDICATOR, FUEL LEVEL.....171

INDICATOR, WATER TEMP.....171

INDICATOR,FUEL LEVEL.....161

INDICATOR,OPTICAL LEVEL.....31, 63

INDICATORS, LIGHT SUPPORT.....171

INLET ELECTROVALVE BLOCK.....137

Inlet Manifold Body.....139

Input Shaft.....53

Iron Hose With Pipe Fitting.....111, 113

Iron Hoses.....111

ISOLATOR,VIBRATION.....27

J

Joint.....231

JOINT (SEAL).....151

JOINT D6.....65

Joint Kit.....33

Joint Kit Pump 3.....67

K

KEY.....71, 79

Key.....79, 103

KEY ONLY, SWITCH/IGNITION.....171

KEYSWITCH.....171

King Pin.....45

KIT CYLINDER GASKETS.....221

KIT,DOOR LOCK.....21

KIT,SEAT DAMPER.....77

KNOB.....73, 79, 81

Knob Kit.....77

KNOB, STEERING MODE SELECTOR.....171

L

LABEL.....81

Label - Boom Angle GM-1 Articulation.....235

LANYARD,PIN.....101, 235

Lateral Cover.....61

Left Bracket.....201

Left Brake Cylinder.....37, 49

Left Rear Light.....27

LEFT SIDE GLASS.....73

Left Support - Fan Side.....59

Left Swivel Housing.....45

Leg Housing.....37, 49

M

Machine Control Unit.....167

Machine Control Unit Display.....167

Main Cartridge.....11, 61

Main ExHaust Muffler.....65

Main Relife Valve.....139

Main Valve.....137

MAIN VALVE COVER.....139, 141

MAIN VALVE SECTION.....139

Manifold.....61, 131, 151

MANIFOLD, BOOM HOSES.....113

Manual Ball Valve.....135

MAX PRESSURE VALVE.....67

Max. relife Valve.....139, 141

MCP FEMALE TERMINAL, 2.8 0.5-1MM.....179

Metri-Pack 280 2-Way Male Connector.....179

MIRROR.....27

Mirror Bracket.....73

MIRROR,CONVEX.....25

Mixing Bucket - Symbol.....211

Modole Anti-Start Engine.....167

Motor Flange.....53

MTA 1-way Power Connector PF Blue.....181

Mudguard.....29

Muffler.....65

Muffler Guard.....65

Part Description Index (continued)

N

Negative Battery Cable.....159
 Negative Brake Piston.....47
 Nilos Ring 32215.....57
 Nipple.....231
 Nipple GMF F 11/16-16 ORFS X M 9/16-18.....207
 Non-Skid Coating.....69
 Nut.....29
 NUT 2" DIN 431 6S ZN.....151
 Nut M.16 UNI 5587 ZN.....27
 NUT M10.....139, 141
 NUT M10 UNI 5588 6S ZN.....63
 Nut M10 UNI 5588 6SZN.....203
 Nut M12 UNI 5588 6SZN.....93
 NUT M12 UNI 5589.....103
 NUT M12X1.....73
 Nut M16.....45
 Nut M16 UNI 5588 6S ZN.....99
 NUT M18 UNI 5589 8G ZN.....93
 NUT M18 UNI 5721 ZN.....93
 NUT M20 UNI 5587 6S ZN.....27
 Nut M22 UNI 5588 8G ZN.....91
 NUT M24X1.5.....45
 Nut M24X1.5.....45
 NUT M6 UNI 5588 6S ZN.....23
 Nut M60x2.....57
 NUT M8 UNI 5588 6S ZN.....71, 137
 NUT, WING, M6 UNI 7473-7474 6S.....23
 NUT,M8 UNI 7473 6S ZN.....21, 23, 25, 31, 59, 61, 63, 69, 73, 149, 169, 201, 203, 219, 237
 NUT,PROTECTION.....69, 71, 73, 75
 NUT,STOP,M10 UNI 7473 6S ZN.....23, 25, 27, 59, 107, 137, 189
 NUT,STOP,M16 UNI 7473 6S ZN.....101, 239
 Nylon Pulley.....93

O

O-RING.....37, 41, 47, 49, 57, 67, 105, 107, 153
 O-ring.....51, 53, 105
 O-Ring 2,62X145,72.....57
 O-Ring 2,62X202,87.....57
 O-Ring 2,62X82,22.....57
 O-Ring kit.....139, 141
 O.Ring.....41, 43, 47, 55
 O.ring.....51, 53
 Oil bulkhead.....51
 Oil Filter.....11, 59
 OIL FILTER,CARTRIDGE.....11, 31
 Oil Level Plug M18x1,5.....57
 OIL PRESSURE SWITCH.....59
 Oil seal.....53
 OPERATOR'S MANUAL.....11
 Output Assembly.....57
 Output shaft.....53
 Outr. Sensors Plate.....35
 Outrigger Beam.....33
 Outrigger Beam Cover.....33
 Outrigger Cylinder Valve Cover.....33
 Outrigger Lift Cylinder.....33
 Outrigger Load Cell Actuator.....35
 Outrigger Load Cell Cover.....35
 Outrigger Telescoping Cylinder.....33
 Outrigger Tube.....117, 119, 123, 125
 Outriggers - Symbol.....171
 OUTRIGGERS SOLENOID VALVE BLOCK.....137, 161

P

Pad.....33
 Pad 135x100x22.....97
 PAD FIXING BUSHING M14.....87, 89
 Pad Shim.....33, 87
 Pad Shim 100X50X1.....89
 Pad Shim 200X60X1.....89
 PAD SHIM 250X85.....87, 89
 PARKING BRAKE - SYMBOL.....171
 Pedal Support.....131
 PIN.....33, 69, 91, 93, 95, 97, 101, 103
 Pin.....37, 39, 47, 55, 91, 101, 105, 197, 199
 Pin D12x25.....51
 PIN D12X40.....39
 Pin Holder.....221
 Pin Load Cell.....35, 161
 PIN/DOWEL HOOK.....225
 Pinion.....27
 Pinion M8 Z13 H104 (Fd6).....57
 PIPE.....203
 Pipe.....117, 119, 123, 125
 Pipe Clamp D35.....35
 PIPE FITTING 1 BSPX1-3/16-12 ORFS.....131, 145, 153, 249
 Pipe Fitting 1" BSP X F 1" BSP.....249
 PIPE FITTING 1" GASX1-7/16-12 ORFS...145, 151, 153
 Pipe Fitting 1"1/4BSP-1"11/16-12ORFS.....145
 PIPE FITTING 1"BSPX1"11/16-12 ORFS...31, 151, 153
 PIPE FITTING 1/2 BSPX13/16-16 ORFS...31, 83, 111, 113, 115, 117, 119, 127, 129, 131, 135, 145, 203, 207, 223, 241, 243, 245, 249, 251
 PIPE FITTING 1/2BSP x 11/16-16 ORFS.....143, 197, 199, 207, 223, 233, 247, 251
 PIPE FITTING 1/2BSPX 9/16-18 ORFS.....233
 PIPE FITTING 1/2BSPX1-3/16-12ORFS.....127
 PIPE FITTING 1/2X1/2 BSP.....195, 197, 199, 241
 PIPE FITTING 1/4 BSPX9/16-18 ORFS.....111, 129, 133, 145, 203, 223, 249, 251
 Pipe Fitting 1/4" M-F ZN.....63
 PIPE FITTING 1/4BSPX11/16-16 ORFS...117, 119, 123, 125, 197, 199, 233
 PIPE FITTING 1/4X3/8 BSP.....133
 PIPE FITTING 14X1.5X9/16-18 ORFS.....131, 149
 PIPE FITTING 18X1.5X11/16 ORFS.....131
 PIPE FITTING 1X 1 1/4 BSP.....153
 PIPE FITTING 1X1 BSP.....145, 249
 PIPE FITTING 3/4 BSPX13/16-16 ORFS..109, 111, 113, 117, 119, 129, 151, 243, 251
 PIPE FITTING 3/4"BSP"1"7/16-12 ORFS.....151
 PIPE FITTING 3/4BSP X1"3/16-12 ORFS.....109, 127, 131, 145, 151, 207, 245, 249
 PIPE FITTING 3/4X 3/4 BSP.....207
 PIPE FITTING 3/8 BSPX9/16 ORFS.....129
 PIPE FITTING 3/8 BSPX9/16-18 ORFS.....111, 115, 129, 131, 133, 155, 197, 199, 203, 245
 PIPE FITTING 3/8BSPX11/16-16 ORFS.....33, 117, 119, 123, 125, 127, 131, 135, 143, 207, 223, 247, 251
 PIPE FITTING 3/8BSPX13/16-18 ORFS...115, 131, 135, 145, 203, 223, 249, 251
 PIPE FITTING 3/8X3/8 BSP.....135, 207
 Pipe Fitting 3Way M12X1.....133

PIPE FITTING 45 M-M 1/4 BSPX9/16-18 ORFS.....197, 199, 233
 PIPE FITTING 9/16-18 UNF X 9/16-18 ORFS.....155
 PIPE FITTING 9/16-18 X 11/16-16 ORFS.....143, 247
 PIPE FITTING 90.....113, 199
 PIPE FITTING 90 1/2GASXM 13/16-16 ORFS.....111, 113
 PIPE FITTING 90 M-M 1"3/16-12 ORFS.....109
 PIPE FITTING 90 M-M 13/16-16 ORFS.....111, 113
 Pipe Fitting 90° BSP.....145, 153
 Pipe Fitting 90° M-F 1"3/16"-12 ORFS.....145, 249
 Pipe Fitting 90° M3/8 X M13/16"-16 ORFS.....145, 249
 PIPE FITTING CMF 1/4 ES LG 40....197, 199, 207
 PIPE FITTING CMF 3/8 ES LG 40....117, 123, 125
 PIPE FITTING CMF G1/2 ES LG 45...83, 127, 241
 PIPE FITTING CMF1/2 ES LG 25.....115
 PIPE FITTING F 13/16-16 ORFS-M 9/16-18 ORFS.....135, 223, 251
 Pipe Fitting F-F 1/4X9/16-18 ORFS.....111
 Pipe Fitting F-F M12x1,5X9/16-16 ORFS....131
 Pipe Fitting FF M12x1 X1/4".....133
 PIPE FITTING G2 34.....151
 PIPE FITTING G3 1.....151
 PIPE FITTING GMF 1/2 BSP.....195, 197, 199
 PIPE FITTING GMF 3/8" BSP.....135
 Pipe Fitting GMF M 1/4" BSP X F 9/16"-18 ORFS.....133
 PIPE FITTING GWR 1" M 1/2 F.....135
 PIPE FITTING GWR F 11/16-16 ORFS - M 9/16-18 ORFS.....155
 Pipe Fitting M 1/2" BSP X M 1/2" BSP ZN...121
 PIPE FITTING M 1/2" BSPXM 1/2" BSP.....187
 Pipe Fitting M 1/4" BSP X M 1/4" BSP ZN...121
 Pipe Fitting M 3/4" BSP X M 3/4" BSP ZN...121
 Pipe Fitting M 3/8" BSP X M3/8" BSP ZB....121
 PIPE FITTING M-F 3/8" BSP ES LG22.....33
 PIPE FITTING M-M A 90 1/4 BSPX9/16-18 ORFS.....145, 197, 199, 249
 PIPE FITTING M10X1- 9/16-18 ORFS.....133
 PIPE FITTING M12X1.5 X 9/16-18 ORFS...153
 PIPE FITTING M18X1,5 M 9/16-18 ORFS.....131, 153
 PIPE FITTING M18X1,5X1"3/16-12 ORFS.....153
 PIPE FITTING M22x1,5 ISO 6149-2 X M 1 3/16"-12 ORFS.....153
 Pipe Fitting M26X1,5X 1"7/16-12 ORFS.....153
 PIPE FITTING M27x2 ISO 6149-2 X M 1 3/16"-12 ORFS.....153
 PIPE FITTING M42X2X1"11/16-12 ORFS..153
 Pipe Fitting TMF+C 11/16-16 ORFS.....117, 119, 123, 125, 207
 PIPE FITTING TMF+C 13/16-16 ORFS.....111, 115, 223, 251
 PIPE FITTING TMF+C 9/16-18 ORFS.....133, 153, 155, 197, 199
 Pipe Fitting TMF+L 1 3/16"-12 F 3/8" BSP.....145, 249
 Pipe Fitting TMF+L 1" 3/16-12 ORFS.....145, 249

PIPE FITTING TMF+L 1"3/16-12 ORFS 3/8".....127, 207
 PIPE FITTING TMF+L 11/16-16 ORFS.....117, 119, 123, 125, 135, 223, 251
 PIPE FITTING TMF+L 13/16-16 ORFS.....135, 223, 251
 PIPE FITTING TMF+L 9/16-18 ORFS.....111, 131, 133, 155
 PIPE FITTING,90 M-F 13/16-16.....129
 PIPE R2 X 1/2 1300 FD F90 13/16"-16 ORFS203
 PIPE,STEEL.....133
 Piston.....57
 Planetary Carrier Kit.....43
 PLATE.....29, 103, 221
 Plate.....191, 201, 227
 PLATE SUPPORT.....27
 PLUG.....37, 43, 49, 51, 79, 141, 171, 187
 Plug.....51, 71, 231
 PLUG 1 BSP.....31
 PLUG 1/2 BSP.....31, 151, 195
 Plug 1/4"G.....57
 PLUG 3/4 BSP.....131
 PLUG 3/8" BSP.....131, 239
 Plug M10x1.....37, 49
 Plug M16x1.5.....37
 Pneutron 7-way Connector Round Black.....181
 POSITIONER.....141
 Positive Battery Cable.....159
 Positive Brake Piston.....47
 Power Box Body.....159
 Power Box Cable.....159
 POWER PACK.....213
 POWER STEERING.....143
 Power Steering Support.....143
 PRESSURE OVERRIDE VALVE.....67
 PRESSURE PLATE.....57
 Pressure Port MCS (M12X1.5)OLEOTEC...131
 PRESSURE RELIEF VALVE.....67
 PRESSURE SENSOR, HYDRAULIC OIL...161
 PRESSURE SWITCH.....163
 Pressure switch.....201
 Pressure Transducer.....165
 Priority Valve LPS 160 R11/LD 10-14 3/01.....145, 249
 PROPORTIONAL ROLLER.....79
 PROTECTION.....59
 Protection Cover.....201
 PROXIMITY SWITCH.....163
 Proximity Switch.....35, 163
 Pull Bracket.....63
 Pulley.....95
 Pulley D.200.....59
 Pulley Front Pin.....93
 PULLEY HOLDER.....93
 Pulley Pin Lock Plate.....95
 Pulley Support.....93, 95
 PUMP.....67
 PUSH BUTTON.....79
 Push Button.....209

Q

QUICK COUPLING, FEMALE 1/2.....113, 195, 197, 199, 233
 QUICK COUPLING, MALE 1/2..113, 195, 197, 199, 233

R

Radiator Plate.....63
 Ratchet Socket.....193
 REAR AXLE LOCK CYLINDER.....221
 Rear Axle lock Cylinder.....115
 Rear Bottom Pad 100x60x33.....89
 Rear bottom pad 150x60x33.....89
 REAR GLASS.....73
 Rear Half Housing.....51
 REAR LIGHTS FIXED SUPPORT.....27
 REAR LIGHTS SUPPORT.....27
 REAR LOWER GLASS.....73
 REAR OUTRIGGER LINE.....161
 Rear Pad.....87
 Rear Pulley.....93
 Rear Pulley Pin.....93, 95
 Rear Steering Axle.....29
 Rear Support.....49
 Rear Turret Turnable Cover.....25
 Rear view mirror support.....25
 REAR WIPER KIT.....73
 Red Fork D.4.3.....175
 REDUCER,D48.5.....81
 Reduct. Assembly 1:4,26.....57
 Reduct. Assembly 1:6,20.....57
 Reduction Gear.....29
 Reduction Gear Insulator.....29
 Reduction Gear Lateral Plate.....29
 Reduction Gear Support.....29
 Reduction Stage 1:4,26.....57
 Reduction Stage 1:6,20.....57
 REFLECTIVE DECAL,WHITE/RED.....227, 233
 RELAY.....157, 159, 167, 205
 RELAY HOLDER.....205
 Relay Support.....167
 Relay Support Bracket.....167
 Remote Control Kit.....229
 Right Armrest Kit.....77
 Right Bracket.....201
 Right Brake Cylinder.....37, 49
 RIGHT PAD SHIM.....89
 Right Plate Dashboard.....171
 Right Rear Light.....27
 Right Side Cover.....79
 RIGHT SIDE GLASS.....75
 Right Support - Fan Side.....59
 Right Swivel Housing.....45
 Rim.....29
 Ring.....39, 43, 53
 RING NUT.....39
 Ring Nut M40x1.5.....41
 RING PIN.....101, 235
 Rings Kit.....55
 Rivet.....51
 Rivet D4x12.....103, 191
 ROAD LIGHT SUPPORT.....229
 Rod.....45, 231
 ROD,BATTERY HOLD DOWN.....23
 Roll.....55
 ROOF COVERING.....69
 ROOF GLASS.....75
 Roof Wiper Kit.....215
 Rope.....189
 Rotating Bearing Locking Pin.....27
 Rotating Bearing Locking Pin Nut.....27
 ROTATING JOINT F1/2" BSPXM 1/2" BSP.....83, 117, 119, 131
 Rotating Joint F1/4" BSP X M 1/4" BSP MBGGD14.....131

Rotating Joint F3/4" BSP X M 3/4" BSP MBGGD34.....131, 145, 249
 Rotating Joint F3/8" BSP X M3/8" BSP MBGGD38.....143
 Rubber.....71, 73, 75
 Rubber Below.....61
 RUBBER CARPET.....69
 Rubber D.41X9.....81
 RUBBER ELBOW.....61
 Rubber Gasket.....31
 RUBBER GROMMET.....69, 75
 RUBBER HOSE.....61
 Rubber Pipe.....61, 241
 Rubber Plate 100X5 LG.705.....63
 Rubber Seal.....63

S

Safety Belt.....77
 Safety Bracket.....189
 SAFETY VALVE.....25, 33, 105, 107, 111, 115, 133, 145, 153, 207, 221, 249
 Schassis Ladder.....23
 SCREW.....27, 45, 51, 69, 71, 73, 81
 Screw.....35, 49, 59, 61, 71, 73, 75
 Screw TEM16X80 DIN 564 8.8ZN.....99
 SCREW 4.2X13.....201
 SCREW B6X25.....79
 Screw Din 7984 M10x60-8.8.....57
 SCREW FE TGS T+ M6X25 UNI 7689 ZN.....69, 73, 79
 Screw M 20 X 100 UNI 5923.....27
 Screw M.18 x 70 10.9 ZN UNI 5737.....27
 SCREW M10X100 UNI 5737 8.8 ZN.....107
 SCREW M10X20 UNI 5739 8.8 ZN.....121
 SCREW M10X25 UNI 5739 8.8 ZN.....23, 25, 65, 87, 197, 199
 SCREW M10X25 UNI 5931 8.8.....57
 SCREW M10X25 UNI 5931 8.8 ZN.....31, 57, 151
 SCREW M10X30 UNI 5739 8.8 ZN.....59, 61, 63, 89
 SCREW M10X30 UNI 5931 8.8 ZN.....67
 SCREW M10X40 UNI 5739 8.8 ZN.....23, 25, 33, 203
 SCREW M10X40 UNI 5931 12.9 ZN.....93
 Screw M10x50.....43
 SCREW M10X50 UNI 5739 8.8 ZN.....23, 213
 SCREW M10X55 UNI 5931 8.8 ZN.....33, 57
 SCREW M10X60 UNI 5737 8.8 ZN.....27, 105, 107
 SCREW M10X80 UNI 5737 8.8 ZN.....105
 SCREW M10X90 UNI 5737 8.8 ZN.....105
 SCREW M12X100 UNI 5737 8.8 ZN.....93, 105
 Screw M12x110.....37, 49
 SCREW M12X25 UNI 5739 8.8 ZN.....213
 SCREW M12X30 UNI 5739 8.8 ZN.....111
 SCREW M12X35 UNI 5739 8.8 ZN.....27
 SCREW M12X40 UNI 5737 8.8 ZN.....59, 67, 105, 153, 239
 SCREW M12X45 UNI 5737 8.8 ZN.....67
 SCREW M12X50UNI 5739 10.9 ZN.....93
 SCREW M12X60 UNI 5737 10.9 ZN.....93
 SCREW M12X70 UNI 5737 8.8 ZN.....63
 SCREW M12X80 UNI 5737 8.8 ZN.....59, 103
 Screw M12x90.....39
 SCREW M14X100UNI 5737 8.8 ZN.....59
 SCREW M14X25 UNI 5931 8.8 ZN.....87, 89
 SCREW M14X30 UNI 5739 8.8 ZN.....21, 29
 SCREW M14X35 UNI 5739 8.8 ZN.....207

Part Description Index (continued)

- SCREW M14X40 UNI 5739 8.8 ZN.....67, 107, 225
 SCREW M14X40 UNI 5931 8.8 ZN.....87, 89
 SCREW M14X45 UNI 5739 8.8 ZN.....29, 239
 SCREW M14X45 UNI 5931 8.8 ZN.....87
 Screw M14x65.....43, 45
 Screw M16.....49
 Screw M16X160.....37, 49
 Screw M16x38.....45
 SCREW M16X40 UNI 5737 10.9 ZN.....27, 33, 91
 SCREW M16X45 UNI 5737 10.9 ZN.....95
 SCREW M16X50 UNI 5737 10.9 ZN.....97, 115
 SCREW M16X60 UNI 5737 10.9 ZN.....29
 SCREW M20X45 UNI 5739 10.9 ZN.....95, 97
 Screw M22x1.5.....37
 Screw M22x55.....45
 SCREW M4X10 UNI 5931 8.8 ZN.....23, 31
 SCREW M4X16 UNI 5931 8.8 ZN.....209, 221
 SCREW M4X20 UNI 7687 ZN.....69, 209
 SCREW M5X16 UNI5737 8.8 ZN.....23
 SCREW M5X20 UNI 5739 8.8 ZN.....25, 65
 SCREW M5X20 UNI 7687 ZN.....21
 Screw M6x10.....39
 SCREW M6X10 UNI 5739 8.8 ZN.....81
 SCREW M6X14.....51
 SCREW M6X16 DIN 6923 8.8 ZN.....21, 23, 35
 SCREW M6X16 INOX.....31
 SCREW M6X16 UNI 5739 8.8 ZN...21, 25, 63, 167
 SCREW M6X20 UNI 5739 8.8 ZN...27, 33, 35, 65, 101, 113, 137, 235, 237
 SCREW M6X20 UNI 5931 8.8 ZN.....117, 119, 123, 125, 159, 187, 201
 SCREW M6X20 UNI 5933 10.9 ZN.....65
 Screw M6x25.....231
 SCREW M6X25 UNI 5739 8.8 ZN.....165
 SCREW M6X25 UNI 5931 8.8 ZN.....111, 113
 SCREW M6X30.....73
 SCREW M6X30 UNI 5739 8.8 ZN.....33
 SCREW M6X35 UNI 5931 8.8 ZN.....115, 147, 207, 241
 SCREW M6X40 UNI 5931 8.8 ZN.....21, 33, 197, 199
 SCREW M6X50 UNI 5737 8.8 ZN.....25, 131, 221
 SCREW M6X50 UNI 5931 8.8 ZN.....35, 207
 SCREW M6X60 UNI 5737 8.8 ZN.....133, 221
 Screw M8 X 230 ZN.....137
 SCREW M8X12.....71
 SCREW M8X16 DIN 7984 8.8 ZN.....97
 SCREW M8X16 UNI 5739 8.8 ZN.....27, 111, 217
 Screw M8x20.....43
 SCREW M8X20 DIN 6923 8.8 ZN...21, 23, 25, 27, 33, 63, 197, 199
 SCREW M8x20 DIN 6923 8.8 ZN.....31
 SCREW M8X20 UNI 5739 8.8 ZN...21, 23, 25, 65, 69, 73, 75, 81, 93, 127, 131, 169, 203, 221, 237
 SCREW M8X20 UNI 5931 8.8 ZN.....73
 SCREW M8X20 UNI 5933 10.9 ZN.....111
 SCREW M8X25 UNI 5739 8.8 ZN...23, 27, 63, 87, 95, 111, 219, 227
 SCREW M8X25 UNI 5931 8.8 ZN...21, 79, 151
 SCREW M8X30 UNI 5739 8.8 ZN...59, 79, 105
 SCREW M8X30 UNI 5931 12.9 ZN.....95
 SCREW M8X35 UNI 5739 8.8 ZN.....25, 27
 SCREW M8X35 UNI 5931 8.8 ZN.....33
 SCREW M8X40 UNI 5739 8.8 ZN.....61
 SCREW M8X40 UNI 5933 10.9 ZN.....71
 SCREW M8X45 UNI 5739 8.8 ZN147
 SCREW M8X50 UNI 5739 8.8 ZN.....241
 SCREW M8X50 UNI 5931 8.8 ZN.....105
 SCREW M8X55 UNI 5737 8.8 ZN.....147, 241
 SCREW M8X60 UNI 5737 8.8 ZN.....135, 147
 SCREW M8X65 UNI 5931 8.8 ZN.....195, 197, 199
 SCREW M8X70 UNI 5737 8.8 ZN.....149
 SCREW M8X75 UNI 5737 8.8 ZN.....149
 SCREW M8X80 UNI 5737 8.8 ZN.....35, 145, 249
 Screw TC M4X20 ZG UNI 7687.....79
 SCREW TCB T 3.9X16 UNI 6954.....71, 73, 81, 229, 237
 Screw TCEI M 6x40 UNI 5931 8.8 ZN.....101
 Screw TCEI M.16X150 UNI 5931 12.9 ZN.....27
 Screw TCEI M16X40 UNI5931 8.8ZN.....67
 Screw TCEI M20x90.....231
 Screw TCEI M6x55.....231
 Screw TE M 10X20 UNI 5739 8.8 ZN.....87
 Screw TE M 22x180 UNI 5737 8.8 ZN.....29
 Screw TE M 4X16.....201
 Screw TE M 8X12 UNI 5739 8.8 ZN.....21
 Screw TE M10 x 110 UNI 5737 8.8.....189
 Screw TE M12X40 UNI 5737 10.9ZN.....93
 Screw TE M12X50 UNI 5737 10.9ZN.....59
 Screw TE M16 X 140 ZN UNI 5737.....101
 SCREW TE M16X60 UNI 5737 8.8 ZN239
 Screw TE M16X80 UNI 5737 8.8 ZN.....25
 Screw TE M20X100 UNI 5737 8.8ZN.....29
 Screw TE M22X210 UNI 5737 8.8ZN.....25
 Screw TE M24X280 UNI 5737 8.8 ZN...29, 221
 Screw TE M6X100 UNI 5737 8.8 ZN.....233
 SCREW TE M8X120 UNI 5737 8.8 ZN.....25
 Screw TSPEI M6X35 UNI 5933.....215
 Screw TSPEI M8X25 UNI5933 10.9 ZN.....201
 Screw Uni 5931 M10x65-12.9.....57
 Screw Uni 5933 M10x25-10.9.....57
 SCREW, 8.8 HCS 12MM1.75X60Z.....63
 SCREW,BLEEDER M8X1.25.....115
 SCREW,HHC,M12 X 120.....105
 SCREW,TCEI,M6X30 UNI 8.8 ZN.....133, 143, 155, 187
 SCREW,TE,M10X35 UNI 8.8 ZN.....87, 89
 SCREW,TE,M10X45 UNI 8.8 ZN.....137
 SCREW,TE,M14X110 UNI 8.8 ZN.....101
 SCREW,TE,M14X130 UNI 8.8 ZN.....25
 Seal.....151
 Seal D16.....215
 SEAL KIT.....67, 115
 Seal Kit.....27, 45, 137, 143
 Seal kit.....131
 Seal Ring.....37, 41, 43, 45, 49
 Seal Ring 70X90x10 Basl.....57
 Sealing.....231
 Sealing Brake Kit.....57
 Seals Kit Levelling Cylinder.....105
 Seals Kit Lifting Cylinder.....105
 Seals Kit Telescope Extension Cilinder.....107
 Seals Kit Tilt Cylinder.....105
 SEAT.....77
 SEAT ARMREST,LEFT.....77
 Seat Cover Assembly.....77
 Seat Foam Kit.....77
 Seat Frame Assembly.....77
 Seat Microswitch.....77
 Seat Suspension Kit.....77
 Second Flexible Exhaust Pipe.....65
 Section Body.....139
 See 400 Cab Components, Figure 608780 - Position 31.....83
 See 400 Cab Components, Figure 608780 - Position 32.....83
 See 400 Cab, Figure 608932 - Position 36.....71
 See 400 Cab, Figure 608936 - Position 31.....241
 See 400 Cab, Figure 608936 - Position 32.....241
 See 400 Cab, Figure 608937 - Position 1.....81
 See 400 Cab, Figure 608937 - Position 2.....81
 See 600 Hydraulic System, Figure 608954 - Position 17.....133
 See 600 Hydraulic System, Figure 608960 - Position 13.....133
 See 600 Hydraulic System, Figure 608960 Pos. 42.....133
 See 600 Hydraulic System, Figure 608971 - Position 2.....133
 See 600 Hydraulic System, Figure 608971 - Position 6.....133
 See 600 Hydraulic System, Figure 608971 Pos. 19.....133
 See 600 Hydraulic System, Figure 608955 - Position 30.....161
 See 600 Hydraulic System, Figure 608955 - Position 31.....161
 See 600 Hydraulic System, Figure 608957 - Position 26.....161
 See 600 Hydraulic System, Figure 608957 - Position 27.....161
 See 600 Hydraulic System, Figure 608960 - Position 14.....135
 See 600 Hydraulic System, Figure 608961 - Position 1.....155
 See 600 Hydraulic System, Figure 608961 - Position 11.....131, 245
 See 600 Hydraulic System, Figure 608961 - Position 30.....155
 See 600 Hydraulic System, Figure 608961 - Position 39.....115
 See 600 Hydraulic System, Figure 608961 - Position 42.....131, 155, 245
 See 600 Hydraulic System, Figure 608962 - Position 16.....131, 245
 See 600 Hydraulic System, Figure 608962 - Position 20.....155
 See 600 Hydraulic System, Figure 608962 - Position 3.....151
 See 600 Hydraulic System, Figure 608966 - Position 4.....151
 See 600 Hydraulic System, Figure 608968 - Position 5 (TP4).....135
 See 600 Hydraulic System, Figure 608968 - Position 6 (TP2).....153
 See 600 Hydraulic System, Figure 608968 - Position 7 (TP3).....153
 See 600 Hydraulic System, Figure 608969 - Position 16.....145, 207, 249
 See 600 Hydraulic System, Figure 608969 - Position 5.....135
 See 600 Hydraulic System, Figure 608970 - Position 15.....135
 See 600 Hydraulic System, Figure 608970 - Position 29.....155
 See 600 Hydraulic System, Figure 608971 - Position 4.....153

- See 600 Hydraulic System, TP2 Figure 608970
 - Position 12.....149
 See 600 Hydraulic System, TP3 Figure 608970
 - Position 21.....149
 See 600 Hydraulic System, TP4 Figure 608962
 - Position 4.....149
 See 700 Electric Installation, Figure 608977 -
 Position 6.....31
 See 700 Electric Installation, Figure 608977 -
 Position 7.....31
 See 700 Electric Installation, Figure 608977 -
 Position 8.....31
 See 700 Electric Installation, Figure 608977 -
 Position 9.....31
 See 700 Electric Installation, Figure 608978 -
 Position 11.....27
 See 700 Electric Installation, Figure 608982 -
 Position 2.....79
 See 700 Electric Installation, Figure 608982 -
 Position 25.....79
 SEEGER.....91, 93
 Seeger Circlip.....231
 SELF-ADJUST KIT.....47
 SENSOR.....51, 159, 161, 165
 Sensor.....45, 161
 SET OF GASKETS.....197, 199
 SHEATH.....187
 SHIM.....21
 Shim.....111
 Shim 2.50mm.....41
 Shim 2.60mm.....41
 Shim 2.70mm.....41
 Shim 2.80mm.....41
 Shim 2.90mm.....41
 Shim 3.00mm.....41
 Shim 3.10mm.....41
 Shim 3.20mm.....41
 Shim 3.30mm.....41
 Shim 3.40mm.....41
 SHIM, WEAR PAD,100X60X1.....87, 89
 SHIM, WEAR PAD,60X60X1.....87
 SHIM,WEAR PAD 250X75.....89
 SINGLE HOSE BRACKET D12.....117, 119,
 123, 125
 SINGLE HOSE BRACKET D16.....111, 113
 SINGLE HOSE BRACKET D20.....187, 207
 SINGLE HOSE BRACKET D25.....115
 SINGLE VALVE BODY.....195, 197, 199
 Sintered Disc.....57
 Slave Cylinder Foot Pin.....105
 Slave Cylinder Head Pin.....105
 SLEEVE.....47
 SNAP RING.....57
 Snap Ring.....33, 43, 53, 91
 Snap Ring D12.....47
 Snap Ring D34.....41
 SNAP RING D75.....47
 SOLENOID..67, 117, 119, 123, 125, 137, 155,
 161, 195, 197, 199
 Solenoid.....139, 141, 143
 Solenoid DEUTSCH.....221
 SOLENOID VALVE.....143, 155, 199
 Solenoid Valve.....139, 141, 221
 SOLENOID VALVE ASSY 6 WAY.....195, 197
 SOLENOID VALVE SEAL KIT.....67
 S O L E N O I D , M O T O R
 START,60511,APU.....207, 209
 SOUNDPROOFING PANEL.....23
 Soundproofing Panel.....23
 SPACER.....47
 Spacer.....41, 53, 57, 89, 165, 201, 213
 SPACER D 22/8.5 LG8.....221
 SPECIAL SCREW M16X38.....45
 Spherical Bearing.....37, 49
 Spicer D24.....215
 Splined Shaft 58X53.....57
 SPLIT PIN.....69
 SPOOL.....139, 141
 Spool.....139, 141
 Spring.....55, 57
 SPRING CLIP M6.....23, 31, 33
 SPRING CLIP M8.....21, 31
 Spring Kit.....55
 SPRING SPLIT PIN.....103, 189, 227
 Spring Washer D 18 ZN RNFT.....27
 SPRING WASHER D10 ZN.....23, 25, 31, 33,
 61, 63, 65, 67, 87, 89, 105, 107, 121, 197, 199,
 203, 207, 213
 SPRING WASHER D12 ZN.....27, 59, 67, 105,
 111, 153, 213, 239
 SPRING WASHER D14 ZN.....21, 29, 67, 107,
 225, 239
 SPRING WASHER D16 ZN.....25, 29, 33, 67,
 97, 115
 SPRING WASHER D4 ZN.....209, 221
 SPRING WASHER D6 ZN.....23, 25, 27, 33, 35,
 63, 101, 113, 131, 133, 137, 143, 155, 159,
 165, 167, 207, 221, 233, 235
 SPRING WASHER D8 ZN.....21, 23, 25, 27, 35,
 65, 93, 105, 111, 127, 131, 135, 145, 149, 197,
 199, 203, 217, 219, 221, 227, 249
 Stabilizer Foot.....33
 Starter Motor.....59
 Steel Pad Outrigger.....35
 Steel Ring C.70.....57
 Steering Arm Assy.....45
 STEERING COLUMN.....143
 Steering Cylinder.....45
 Steering Wheel.....143
 STEERING WHEEL COVER.....143
 Stop.....73
 STOP BELT.....69
 Stop Guard.....227
 STOP NUT.....187
 Stop nut.....69, 73, 75
 STOP NUT M12 UNI 7473 6S ZN.....63, 93,
 103, 105
 STOP NUT M14 UNI 7473 6S ZN.....25, 59, 101
 STOP NUT M20 UNI 7473 6S ZN.....29
 STOP NUT M22 UNI 7473 6S ZN.....25, 29
 STOP NUT M24 UNI 7473 6S ZN.....29, 221
 Stop Nut M4.....201
 STOP NUT M5 UNI 7473 6S ZN.....21, 23, 25,
 65
 STOP NUT M6 UNI 7473 6S ZN.....21, 23, 65,
 81, 101, 133, 135, 221, 237
 STOP NUT M6 UNI 7473 6S ZN WMAR
 38.....201
 STOP PIN.....73
 STOP RING.....61
 Stretch Chain Block.....93
 Stretch Chain support.....93
 Stretch Chain Terminal.....91, 93
 Stud.....43
 Sun Gear Z15 1:6,20.....57
 Sun Gear Z19 1:4,26.....57
 SUNSHIELD CURTAIN KIT.....69
 SUPPORT.....27
 Support.....27, 65, 169
 Support Bracket.....237
 SUPPORT,BOOM SENSOR.....165
 SUPPORT,LOAD CHARTS.....69
 SUPPORT,SEAT.....69
 Supporting Roller.....231
 Suspension Cover Kit.....77
 SWITCH.....171, 195, 197, 199, 205, 209, 211,
 217, 219
 Switch.....51, 161, 171
 Switch - Start Engine.....171
 SWITCH ASSY,EMERGENCY PUMP.....209
 Switch Complete.....211
 SWITCH COVER, 2ND HYDRAULIC
 LINE.....195, 199
 SWITCH HOLDER,PLATE.....171
 SWITCH, COMPLETE, 2ND HYDRAULIC
 LINE.....195, 199
 SWITCH211
 SYMBOL, ATTACHMENT LOCK.....197, 199
 SYMBOL, HEATING FAN.....171
 SYMBOL,ELECTRONIC LEVEL.....171
 SYMBOL,EMERGENCY PUMP.....209
 SYMBOL,HAZARD WARNING LIGHTS.....171
 SYMBOL,MECHANICAL GEAR.....171
 SYMBOL,RIGHT OUTRIGGERS.....171
 SYMBOL,ROAD LIGHT.....171
 SYMBOL,TRANSMISSION LOCK.....171
 Synchronizing Kit.....55
- ## T
- TANK.....73
 TEMPERATURE SENSOR, HYDRAULIC
 OIL.....161
 Temperature Switch.....201
 TERM,NI PIN,S&F,16-18GA,REEL.....217
 TERMINAL CURSOR.....141
 TERMINAL,RING D5.....175
 TERMINAL,RING,D5.3.....175, 177
 TERMINAL,RING,D8.....175
 TEST PORT M1/4 BSP.....111, 133, 149
 TEST PORT MCS M14X1,5.....149, 207
 TEST PORTS MANIFOLD.....149
 THREADED ROAD.....93
 THREADED ROD.....139, 141
 THROUGH-COUPLING.....75
 THRUST WASHER.....37, 49
 Thrust Washer.....39, 43
 Tie Rod.....45
 Tilt Cylinder.....105
 TIMER,WIPER.....167
 Toothed Ring Z62 H28.....57
 Toothed Ring Z78 H38.....57
 Tower Ligts.....237
 TOWING HOOK.....225
 TRANSDUCER.....59
 Trust Washer.....53
 Trust Washer.....43
 Turnable Table Assy.....25
 Turnable Table Gear Box Cover.....25
 Turret lock pin.....25
 Tyco 1-Way PM Fastin Connector.....179
 Tyco 2.8 21-way Connector PM Brown pol.
 B-C.....179
 Tyco MCP 2.8 12-way Connector PF Green pol.
 B-C.....181
 Tyco MCP 2.8 6-way Connector PM Blue pol.
 B-C.....179
 Tyre.....29

Part Description Index (continued)

U

Universal Joint Cross.....29
 UPPER DOOR ASSY.....71
 Upper Plate.....29

V

VALVE....25, 67, 131, 133, 135, 139, 141, 145,
 197, 199, 201, 207, 249
 Valve.....33, 139, 141, 221, 233
 VALVE ASSEMBLY.....139
 VALVE BLOCK.....135
 VALVE CAP.....139, 141
 Valve NC.....117, 119, 123, 125
 Valve NO.....117, 119, 123, 125
 Vibration Damper.....203
 Vibration Damper Panel.....23
 VIBRATION DAMPING.....25, 59
 Vibration Damping.....25
 VIBRATION DAMPING KIT.....63
 VIBRATION DAMPING SUPPORT.....25

W

Wascher.....53
 WASHER.....59, 71, 73, 75, 103, 201
 Washer.....29, 33, 41, 43, 55, 71, 187, 197, 199
 WASHER 6.4X12.....69, 73
 WASHER 6.5X18.....73
 Washer 8.4x142.....71
 Washer D 110/23x8.....29
 WASHER D10.....59, 139, 141
 WASHER D10 UNI 6593 ZN.....73, 89
 WASHER D14 UNI 5714 ZN.....67
 WASHER D4 UNI 6592 ZN.....23, 31
 Washer D5.....21
 WASHER D6.....69, 79
 WASHER D6/9.....79
 WASHER,D12 UNI 6592 ZN.....59, 67, 105,
 111, 213, 239
 WATER TAP,D16.....81
 WATER TEMPERATURE LEVEL
 THERMISTOR.....59
 WEAR PAD.....87, 89
 WEAR PAD,BRONZE.....111
 Wear Plate.....231
 Weight Adjuster Kit.....77
 Wheel Carrier.....43
 Wheel Hub Kit.....43
 WHITE BUTTON CAP.....79
 White Modular Relay Connector.....179
 WINDSHIELD.....75
 Wiper arm.....73, 75
 WIPER BLADE.....73, 75
 Wiper motor.....73
 Wiper Motor Kit.....215
 WIRING.....229
 WIRING HARNESS,BOOM.....187
 WIRING HARNESS,CAB.....167, 169
 Work Light.....217, 219
 Work Lights - Symbol.....217, 219
 WORKING LIGHT BOOM SUPPORT.....217

Y

YAZAKL Series 305 1-way Connector PF....183
 YAZAKL SWP 2-way Connector PF.....183
 YAZAKL Y Type 2-way Connector PF.....181
 YAZAKL Y Type 2-way Connector PM.....181

This Page Intentionally Left Blank

Silverhorn.CO.UK

Fitting Cross References

Genie PN	Parker PN	Description	Genie PN	Parker PN	Description
12342	6-4 F5OX-S	CONNECTOR,STRAIGHT THREAD TO FLARE TUBE	42794	1 CR-S	ELBOW,90°,MALE PIPE
13757	4 R6X-S	RUN TEE,SWIVEL NUT,ORFS	42795	BV-0839	BALL VALVE
19685	12-10 C5OX-S	ELBOW,90°,STRAIGHT THREAD TO FLARE TUBE	42796	BV-0838	BALL VALVE
22664	12-10 C5OX	ELBOW,90°,STRAIGHT THREAD TO FLARE TUBE	42874	6-8 CLO-S	ELBOW,90°,MALE PIPE TO ORFS
27431	8-12 F5OX-S	CONNECTOR,STRAIGHT THREAD TO FLARE TUBE	42912	13943-6-4	HOSE END,90° FEMALE SWIVEL,JIC
28678	AS-B-33	SLEEVE,NYLON,1.81" ID	42920	BV-0840	BALL VALVE,90°
39871	6 WETX-WLN-S	UNION,90° BULKHEAD W/NUT,FLARE TUBE	42932	AS-B-17	SLEEVE,NYLON,1.22" ID
39872	4 R5OX-S	RUN TEE,STRAIGHT THREAD	42936	10243-2-4	HOSE END,FEMALE PIPE
39873	6 C5OX-S	ELBOW,90°,STRAIGHT THREAD TO FLARE TUBE	42953	1/2 DD-S	ELBOW,90°,FEMALE PIPE
39874	8-6 C5OX-S	ELBOW,90°,STRAIGHT THREAD TO FLARE TUBE	42956	6 WELO-WLNL-S	UNION,90° BULKHEAD W/NUT,ORFS
39875	4-6 C5OX-S	ELBOW,90°,STRAIGHT THREAD TO FLARE TUBE	45349	8 V5OX-S	ELBOW,45°,STRAIGHT THREAD TO FLARE TUBE
39876	6-8 C5OX-S	ELBOW,90°,STRAIGHT THREAD TO FLARE TUBE	45351	4 V5OX-S	ELBOW,45°,STRAIGHT THREAD TO FLARE TUBE
39877	4 F5OX-S	CONNECTOR,STRAIGHT THREAD TO FLARE TUBE	47223	10343-6-6	HOSE END,MALE,JIC
39878	6 F5OX-S	CONNECTOR,STRAIGHT THREAD TO FLARE TUBE	47419	PS690503-6-6	SWIVEL,90°,STRAIGHT THREAD TO 37° FLARE
39879	4-8 F5OX-S	CONNECTOR,STRAIGHT THREAD TO FLARE TUBE	48750	421-4	HOSE,1/4 INCH ID
39880	6-10 F5OX-S	CONNECTOR,STRAIGHT THREAD TO FLARE TUBE	48751	481TC-4	HOSE,1/4 INCH ID
39881	4-6 F5OX-S	CONNECTOR,STRAIGHT THREAD TO FLARE TUBE	48752	482TC-4	HOSE,1/4 INCH ID
39882	4-HP5ON-S	PLUG,STRAIGHT THREAD	48753	451TC-6	HOSE,3/8 INCH ID
39883	8-8 FTX-S	CONNECTOR,MALE PIPE TO FLARE TUBE	48754	482TC-6	HOSE,3/8 INCH ID
39885	269HB 12-12	ELBOW,90°,BEADED HOSE BARB TO MALE PIPE	48755	381-6	HOSE,3/8 INCH ID
39886	431-6	HOSE,3/8 INCH ID	48756	451TC-8	HOSE,1/2 INCH ID
39887	540N-2	HOSE,1/8 INCH ID	48757	482TC-8	HOSE,1/2 INCH ID
39888	801-8	HOSE,1/2 INCH ID	48758	381-8	HOSE,1/2 INCH ID
39889	801-12	HOSE,3/4 INCH ID	48759	381-10	HOSE,5/8 INCH ID
39890	10643-6-6	HOSE END,FEMALE SWIVEL,JIC	48760	451TC-10	HOSE,5/8 INCH ID
39891	13943-6-6	HOSE END,90° FEMALE SWIVEL,JIC	48761	482TC-12	HOSE,3/4 INCH ID
39892	13743-6-6	HOSE END,45° FEMALE SWIVEL,JIC	48762	451TC-12	HOSE,3/4 INCH ID
39894	30682-8-8	HOSE END,FEMALE SWIVEL,JIC	48763	772-12	HOSE,3/4 INCH ID
39895	30682-10-12	HOSE END,FEMALE SWIVEL,JIC	48764	881-16	HOSE,1 INCH ID
42286	8-8 CTX-S	ELBOW,90°,MALE PIPE TO FLARE TUBE	48765	772-16	HOSE,1 INCH ID
42756	8-12 CLO-S	ELBOW,90,MALE PIPE TO ORFS	48766	AS-B-15	SLEEVE,NYLON,1.06" ID
42757	8-12 FLO-S	CONNECTOR,MALE PIPE TO ORFS	48767	AS-B-22	SLEEVE,NYLON,1.42" ID
42758	4 JLO-S	UNION TEE,ORFS	48770	881-8	HOSE,1/2 INCH ID
42759	4-4 FLO-S	CONNECTOR,MALE PIPE TO ORFS			
42760	6-8 FLO-S	CONNECTOR,MALE PIPE TO ORFS			
42761	1J143-6-4	HOSE END,90° FEMALE SWIVEL,SEAL LOK			
42762	1J743-6-4	HOSE END,45° FEMALE SWIVEL,SEAL LOK			
42768	1JO43-4-4	HOSE END,MALE,SEAL LOK			
42776	801-8	HOSE,1/2 INCH ID			
42777	1J743-16-16	HOSE END,45° FEMALE SWIVEL,SEAL LOK			
42786	16 CLO-S	ELBOW,90°,MALE PIPE TO ORFS			
42787	16 R6LO-S	RUN TEE,SWIVEL NUT,ORFS			
42788	16-8 TRLO-BL-S	REDUCER,TUBE END TO SWIVEL,ORFS			
42789	6-6 CLO-S	ELBOW,90°,MALE PIPE TO ORFS			
42790	8-10 V5OLO-S	ELBOW,45°,STRAIGHT THREAD TO ORFS			
42791	3/4 CD-S	ELBOW,90°,MALE TO FEMALE PIPE			
42792	3/4 X 1/2 PTR-S	REDUCER,MALE TO FEMALE PIPE			
42793	1/2 CR-S	ELBOW,90°,MALE PIPE			

Fitting Cross References (Continued)

Genie PN	Parker PN	Description	Genie PN	Parker PN	Description
48771	881-10	HOSE,5/8 INCH ID	48847	13943-12-12	HOSE END,90° FEMALE SWIVEL,JIC
48772	381-4	HOSE,1/4 INCH ID	48848	10543-12-12	HOSE END,MALE,STRAIGHT THREAD
48773	AS-B-13	SLEEVE,NYLON,.86" ID	48849	1JC71-12-12	HOSE END,FEMALE SWIVEL,SEAL LOK
48800	1JC43-4-4	HOSE END,FEMALE SWIVEL,SEAL LOK	48850	1JS71-12-12	HOSE END,FEMALE SWIVEL,SEAL LOK
48801	1J743-4-4	HOSE END,45° FEMALE SWIVEL,SEAL LOK	48851	1J171-12-12	HOSE END,90° FEMALE SWIVEL,SEAL LOK
48802	1J943-4-4	HOSE END,90° FEMALE SWIVEL,SEAL LOK	48852	1J771-12-12	HOSE END,45° FEMALE SWIVEL,SEAL LOK
48804	1JM43-4-4	HOSE END,MALE,SEAL LOK, NO O-RING	48853	1J971-12-12	HOSE END,90° FEMALE SWIVEL,SEAL LOK
48805	10643-4-4	HOSE END,FEMALE SWIVEL,JIC	48854	1JC43-16-16	HOSE END,FEMALE SWIVEL,SEAL LOK
48806	13943-4-4	HOSE END,90° FEMALE SWIVEL,JIC	48855	1J943-16-16	HOSE END,90° FEMALE SWIVEL,SEAL LOK
48807	1JS43-4-4	HOSE END,FEMALE SWIVEL,SEAL LOK	48856	1J171-16-16	HOSE END,90° FEMALE SWIVEL,SEAL LOK
48808	3JC82-8-8	HOSE END,FEMALE SWIVEL,SEAL LOK	48857	1J971-16-16	HOSE END,90° FEMALE SWIVEL,SEAL LOK
48809	3JC82-12-12	HOSE END,FEMALE SWIVEL,SEAL LOK	48859	1JS43-8-4	HOSE END,FEMALE SWIVEL,SEAL LOK
48810	1JC43-6-4	HOSE END,FEMALE SWIVEL,SEAL LOK	48867	PD36BTL	DIAGNOSTIC NIPPLE,SEAL-LOK SWIVEL
48811	1J943-6-4	HOSE END,90° FEMALE SWIVEL,SEAL LOK	48873	6 PNLO-S	PLUG,TUBE END,ORFS
48812	1JC43-6-6	HOSE END,FEMALE SWIVEL,SEAL LOK	48874	6 PNTX-S	PLUG,FLARE TUBE
48813	1J143-6-6	HOSE END,90° FEMALE SWIVEL,SEAL LOK	48875	6 R6LO-S	RUN TEE,SWIVEL NUT,ORFS
48814	1J543-6-6	HOSE END,90° FEMALE SWIVEL,SEAL LOK	48877	4 F5OLO-SW/.025	CONNECTOR,STRAIGHT THREAD TO ORFS, W/.025 ORI
48815	1J743-6-6	HOSE END,45° FEMALE SWIVEL,SEAL LOK	48878	16-12 C5OLO-S	ELBOW,90°,STRAIGHT THREAD TO ORFS
48816	1J943-6-6	HOSE END,90° FEMALE SWIVEL,SEAL LOK	48879	8 C6LO-S	ELBOW,90°,SWIVEL NUT ORFS
48817	1JS43-6-8	HOSE END,FEMALE SWIVEL,SEAL LOK	48880	PD6-285	CAP,DIAGNOSTIC NIPPLE
48818	1J943-8-4	HOSE END,90° FEMALE SWIVEL,SEAL LOK	48881	6 HLO-S	UNION,ORFS
48819	1JC43-8-6	HOSE END,FEMALE SWIVEL,SEAL LOK	48883	8 P5ON-S	PLUG,STRAIGHT THREAD
48820	1J743-8-6	HOSE END,45° FEMALE SWIVEL,SEAL LOK	48884	8M18F87OMLO-S	CONNECTOR,METRIC,STRAIGHT THREAD TO ORFS
48821	1J943-8-6	HOSE END,90° FEMALE SWIVEL,SEAL LOK	48885	4 WGTX-WLN-S	CONNECTOR,BULKHEAD,FEMALE PIPE TO FLARE TUBE
48822	1JC43-8-8	HOSE END,FEMALE SWIVEL,SEAL LOK	48886	4 F5OLO-SW/2MM	CONNECTOR,MACHINED STRAIGHT THREAD TO ORFS
48823	1JS43-8-8	HOSE END,FEMALE SWIVEL,SEAL LOK	48887	4 CTX-S	ELBOW,90°,MALE PIPE TO FLARE TUBE
48824	1J143-8-8	HOSE END,90° FEMALE SWIVEL,SEAL LOK	48888	10-12 V5OLO-S	ELBOW,45°,STRAIGHT THREAD TO ORFS
48825	1J543-8-8	HOSE END,90° FEMALE SWIVEL,SEAL LOK	48890	4 S5OLO-S	BRANCH TEE,STRAIGHT THREAD TO ORFS
48826	1J743-8-8	HOSE END,45° FEMALE SWIVEL,SEAL LOK	48891	4 S6LO-S	BRANCH TEE,SWIVEL NUT TO ORFS
48827	1J943-8-8	HOSE END,90° FEMALE SWIVEL,SEAL LOK			
48828	1JC43-10-8	HOSE END,FEMALE SWIVEL,SEAL LOK			
48829	1JS43-10-8	HOSE END,FEMALE SWIVEL,SEAL LOK			
48830	1J743-10-8	HOSE END,45° FEMALE SWIVEL,SEAL LOK			
48831	1J943-10-8	HOSE END,90° FEMALE SWIVEL,SEAL LOK			
48833	1JC43-10-10	HOSE END,FEMALE SWIVEL,SEAL LOK			
48834	1J943-10-10	HOSE END,90° FEMALE SWIVEL,SEAL LOK			
48835	1JS43-10-12	HOSE END,FEMALE SWIVEL,SEAL LOK			
48836	1JC43-12-8	HOSE END,FEMALE SWIVEL,SEAL LOK			
48837	1JS43-12-8	HOSE END,FEMALE SWIVEL,SEAL LOK			
48838	1J743-12-8	HOSE END,45° FEMALE SWIVEL,SEAL LOK			
48839	1J943-12-8	HOSE END,90° FEMALE SWIVEL,SEAL LOK			
48840	1J943-12-10	HOSE END,90° FEMALE SWIVEL,SEAL LOK			
48841	1JC43-12-12	HOSE END,FEMALE SWIVEL,SEAL LOK			
48842	1JO43-12-12	HOSE END,MALE,SEAL LOK			
48843	1J143-12-12	HOSE END,90° FEMALE SWIVEL,SEAL LOK			
48844	1J543-12-12	HOSE END,90° FEMALE SWIVEL,SEAL LOK			
48845	1J743-12-12	HOSE END,45° FEMALE SWIVEL,SEAL LOK			
48846	1J943-12-12	HOSE END,90° FEMALE SWIVEL,SEAL LOK			

Fitting Cross References (Continued)

Genie PN	Parker PN	Description	Genie PN	Parker PN	Description
48892	6 C6LO-S	ELBOW,90°,SWIVEL NUT ORFS	48938	8 R6LO-S	RUN TEE,SWIVEL NUT,ORFS
48893	6 F5OHAO-S	UNION,STRAIGHT THREAD	48939	8 S6LO-S	BRANCH TEE,SWIVEL NUT TO ORFS
48894	8 WLO-WLNL-S	UNION,BULKHEAD,ORFS	48940	8 WJLO-WLNL-S	RUN TEE, BULKHEAD,ORFS
48895	DT-370-MSMO-5	VALVE,CHECK	48941	8-4 TRLO-S	REDUCER,TUBE END TO SWIVEL,ORFS
48896	6 JLO-S	UNION,TEE,ORFS	48942	8-6 C5OLO-S	ELBOW,90°,STRAIGHT THREAD TO ORFS
48897	DT-750-MSMS-5	VALVE,CHECK	48943	8-6 F5OLO-S	CONNECTOR,STRAIGHT THREAD TO ORFS
48898	DT-750-MOMS-5	VALVE,CHECK	48944	8-8 FLO-S	CONNECTOR,MALE PIPE TO ORFS
48899	DT-620-MOMS-5	VALVE,CHECK	48945	8 FTX-S	CONNECTOR,MALE PIPE TO FLARE TUBE
48900	4-6 F5OLO-SW/.035	CONNECTOR,STRAIGHT THREAD TO ORFS, W/.035 ORI	48946	8-10 F5OLO-S	CONNECTOR,STRAIGHT THREAD TO ORFS
48902	16-1 AOE4G-S	ELBOW,90° LONG,FEMALE PIPE TO STRAIGHT THREAD	48947	8-12 C5OLO-S	ELBOW,90°,STRAIGHT THREAD TO ORFS
48903	1 FF-S	NIPPLE,PIPE	48948	8-12 F5OLO-S	CONNECTOR,STRAIGHT THREAD TO ORFS
48904	4 C5OLO-S	ELBOW,90°,STRAIGHT THREAD TO ORFS	48949	8-16 F5OLO-S	CONNECTOR,STRAIGHT THREAD TO ORFS
48905	4 F5OLO-S	CONNECTOR,STRAIGHT THREAD TO ORFS	48950	10 C5OLO-S	ELBOW,90°,STRAIGHT THREAD TO ORFS
48906	4 R5OLO-S	RUN TEE,STRAIGHT THREAD	48951	10 CC5OLO-S	ELBOW,90° LONG,STRAIGHT THREAD TO ORFS
48907	4 V5OLO-S	ELBOW,45°,STRAIGHT THREAD TO ORFS	48952	10 F5OLO-S	CONNECTOR,STRAIGHT THREAD TO ORFS
48908	4 R6LO-S	RUN TEE,SWIVEL NUT,ORFS	48953	10 R5OLO-S	RUN TEE,STRAIGHT THREAD
48909	4 WJLO-WLNL-S	RUN TEE, BULKHEAD,ORFS	48954	10 S5OLO-S	BRANCH TEE,STRAIGHT THREAD TO ORFS
48910	4 GTX-S W/.030	CONNECTOR,FEMALE PIPE TO FLARE TUBE	48955	10 R6LO-S	RUN TEE,SWIVEL NUT,ORFS
48911	4-6 C5OLO-S	ELBOW,90°,STRAIGHT THREAD TO ORFS	48956	10-4 TRLO-BL-S	REDUCER,TUBE END TO SWIVEL,ORFS
48912	4-6 F5OLO-S	CONNECTOR,STRAIGHT THREAD TO ORFS	48957	10-6 TRLO-BL-S	REDUCER,TUBE END TO SWIVEL,ORFS
48913	4-6 F5OLO-SW/.030	CONNECTOR,STRAIGHT THREAD TO ORFS, W/.030 ORI	48958	10-12 F5OLO-S	CONNECTOR,STRAIGHT THREAD TO ORFS
48914	4-8 F5OLO-S	CONNECTOR,STRAIGHT THREAD TO ORFS	48959	12 C5OLO-S	ELBOW,90°,STRAIGHT THREAD TO ORFS
48915	6 C5OLO-S	ELBOW,90°,STRAIGHT THREAD TO ORFS	48960	12 F5OLO-S	CONNECTOR,STRAIGHT THREAD TO ORFS
48916	6 F5OLO-S	CONNECTOR,STRAIGHT THREAD TO ORFS	48961	12 R5OLO-S	RUN TEE,STRAIGHT THREAD
48917	6 FF5OLO-S	CONNECTOR,LONG,STRAIGHT THREAD TO ORFS	48962	12 S5OLO-S	BRANCH TEE,STRAIGHT THREAD TO ORFS
48918	6 R5OLO-S	RUN TEE,STRAIGHT THREAD	48963	12 V5OLO-S	ELBOW,45°,STRAIGHT THREAD TO ORFS
48919	6 S5OLO-S	BRANCH TEE,STRAIGHT THREAD TO ORFS	48964	12 R6LO-S	RUN TEE,SWIVEL NUT,ORFS
48920	6 V5OLO-S	ELBOW,45°,STRAIGHT THREAD TO ORFS	48965	12 CLO-S	ELBOW,90°,MALE PIPE TO ORFS
48921	6 FLO-S	CONNECTOR,MALE PIPE TO ORFS	48966	12 FLO-S	CONNECTOR,MALE PIPE TO ORFS
48922	6-6 FLO-S	CONNECTOR,MALE PIPE TO ORFS	48967	12 JLO-S	UNION TEE,ORFS
48923	6 P5ON-S	PLUG,STRAIGHT THREAD	48968	12 WLO-WLNL-S	UNION,BULKHEAD,ORFS
48925	6 WELO-S	UNION,90° BULKHEAD,ORFS	48969	12 WJLO-WLNL-S	RUN TEE, BULKHEAD,ORFS
48926	6-4 C5OLO-S	ELBOW,90°,STRAIGHT THREAD TO ORFS	48970	12 WELO-WLNL-S	UNION,90° BULKHEAD W/NUT,ORFS
48927	6-4 F5OLO-S	CONNECTOR,STRAIGHT THREAD TO ORFS			
48928	6-4 V5OLO-S	ELBOW,45°,STRAIGHT THREAD TO ORFS			
48929	6-8 C5OLO-S	ELBOW,90°,STRAIGHT THREAD TO ORFS			
48930	6-8 F5OLO-S	CONNECTOR,STRAIGHT THREAD TO ORFS			
48931	6-10 F5OLO-S	CONNECTOR,STRAIGHT THREAD TO ORFS			
48932	8 C5OLO-S	ELBOW,90°,STRAIGHT THREAD TO ORFS			
48933	8 F5OLO-S	CONNECTOR,STRAIGHT THREAD TO ORFS			
48934	8 FF5OLO-S	CONNECTOR,LONG,STRAIGHT THREAD TO ORFS			
48935	8 R5OLO-S	RUN TEE,STRAIGHT THREAD			
48936	8 S5OLO-S	BRANCH TEE,STRAIGHT THREAD TO ORFS			
48937	8 V5OLO-S	ELBOW,45°,STRAIGHT THREAD TO ORFS			

Fitting Cross References (Continued)

Genie PN	Parker PN	Description	Genie PN	Parker PN	Description
48971	12 G5G5JG5-S	TEE,FEMALE STRAIGHT THREAD	49612	PKT02586	O-RING KIT (ORFS FITTINGS)
48972	12 XHL6-S	ADAPTER, 37° MALE TO SWIVEL ORFS	49613	PKT06276	PLUG AND CAP KIT-SERVICE,ORFS
48973	12-1/2 F5OG-S	ADAPTER,FEMALE PIPE TO STRAIGHT THREAD	49728	10143-12-12	HOSE END, MALE PIPE
48974	12-10 C5OLO-S	ELBOW,90°,STRAIGHT THREAD TO ORFS	49729	16-1 F5OG-S	ADAPTER,FEMALE PIPE TO STRAIGHT THREAD
48975	12-10 F5OLO-S	CONNECTOR,STRAIGHT THREAD TO ORFS	49814	12-8 FLO-S	CONNECTOR,MALE PIPE TO ORFS
48976	12-16 C5OLO-S	ELBOW,90°,STRAIGHT THREAD TO ORFS	49829	DT-500-MOMF-5	VALVE,CHECK
48977	12-16 F5OLO-S	CONNECTOR,STRAIGHT THREAD TO ORFS	49831	881-12	HOSE,3/4 INCH ID
48978	12-16 V5OLO-S	ELBOW,45°,STRAIGHT THREAD TO ORFS	49834	16 JLO-S	UNION TEE,ORFS
48980	12-16 FLO-S	CONNECTOR,MALE PIPE TO ORFS	49838	12-8 TRLO-BL-S	REDUCER,TUBE END TO SWIVEL,ORFS
48983	16 C5OLO-S	ELBOW,90°,STRAIGHT THREAD TO ORFS	49840	8 JLO-S	UNION TEE,ORFS
48984	16 F5OLO-S	CONNECTOR,STRAIGHT THREAD TO ORFS	49844	10-8 TRLO-BL-S	REDUCER,TUBE END TO SWIVEL,ORFS
48985	16 V5OLO-S	ELBOW,45°,STRAIGHT THREAD TO ORFS	49854	8 P5ON-S	PLUG,STRAIGHT THREAD
48986	16 FLO-S	CONNECTOR,MALE PIPE TO ORFS	49855	1JC43-16-12	HOSE END,FEMALE SWIVEL,SEAL LOK
48988	16 CD45-S	ELBOW,45°,MALE TO FEMALE PIPE	49859	4 P5ON-S	PLUG,STRAIGHT THREAD
48989	12 CD45-S	ELBOW,45°,MALE TO FEMALE PIPE	49861	4 FF5OLO-S	CONNECTOR,LONG,STRAIGHT THREAD TO ORFS
48990	8 CD45-S	ELBOW,45°,MALE TO FEMALE PIPE	49867	12-3/4 F5OG-S	ADAPTER,FEMALE PIPE TO STRAIGHT THREAD
48991	16-12 FLO-S	CONNECTOR,MALE PIPE TO ORFS	51152	6 R6X-S	RUN TEE,SWIVEL NUT,ORFS
48992	16-12 V5OLO-S	ELBOW,45°,STRAIGHT THREAD TO ORFS	51153	6-4 TRTX-S	REDUCER,TUBE END TO SWIVEL,ORFS
48993	XV501-12	BALL VALVE	51154	4-4 GTX	CONNECTOR,FEMALE PIPE TO FLARE TUBE
48994	XV501-16	BALL VALVE	51264	881-12	HOSE,3/4 INCH ID
48995	XV510P-12	BALL VALVE	51265	8 JLO-S	UNION TEE,ORFS
48996	XV510P-16	BALL VALVE	51508	6 BTX-S	NUT,FLARE TUBE
48997	PD341	DIAGNOSTIC NIPPLE, STRAIGHT THREAD	51580	12-8 TRLO-BL-S	TUBE END REDUCER,ORFS
48998	PD 361	DIAGNOSTIC NIPPLE, STRAIGHT THREAD	51628	6 R6X-S	RUN TEE,SWIVEL NUT,ORFS
48999	DT-500-MOMS-5	VALVE,CHECK	51735	3/8 HHP	PLUG,PIPE THREAD
49201	10 V5OLO-S	ELBOW,45°,STRAIGHT THREAD TO ORFS	51803	1J943-6-8	HOSE END,90° FEMALE SWIVEL,SEAL LOK
49202	1JC43-12-10	HOSE END,FEMALE SWIVEL,SEAL LOK	53023	125HBL-5-4	FITTING,HOSE BARB TO MALE PIPE
49203	10-8 V5OLO-S	ELBOW,45°,STRAIGHT THREAD TO ORFS	53497	PKT02585	O-RING KIT
49205	6 F5OHAO-S	UNION,STRAIGHT THREAD	53499	1JC71-16-16	HOSE END,FEMALE SWIVEL,SEAL LOK
49207	PD34BTL	DIAGNOSTIC NIPPLE,SEAL-LOK SWIVEL	53500	3-904	O-RING,STRAIGHT THREAD,-4
49209	8M18F870MX-S	CONNECTOR,METRIC,STRAIGHT THREAD TO FLARE TUBE	53501	3-906	O-RING,STRAIGHT THREAD,-6
49212	8 WGTX-WLN-S	CONNECTOR,BULKHEAD,FEMALE PIPE TO FLARE TUBE	53502	3-908	O-RING,STRAIGHT THREAD,-8
49213	30682-8-8	HOSE END,FEMALE SWIVEL,JIC	53503	3-910	O-RING,STRAIGHT THREAD,-10
49216	831-8	HOSE,1/2 INCH ID			
49217	33982-8-8	HOSE END,90° FEMALE SWIVEL,JIC			
49219	PS-B-35	SLEEVE,NYLON,2.19" ID			
49418	4-6 V5OLO-S	ELBOW,45°,STRAIGHT THREAD TO ORFS			
49511	DT370-MOMS-5	VALVE,CHECK			
49512	1 DD-S	ELBOW,90°,FEMALE PIPE			
49513	1 FF-S	NIPPLE,PIPE			
49514	10 HP5ON-S	PLUG,STRAIGHT THREAD			
49515	12-16 CLO-S	ELBOW,90°,MALE PIPE TO ORFS			
49517	6 HP5ON-S	PLUG,STRAIGHT THREAD			
49519	16-12 F5OLO-S	CONNECTOR,STRAIGHT THREAD TO ORFS			
49520	4 VTX-S	ELBOW,45°,MALE PIPE TO FLARE TUBE			
49530	16 C6LO-S	ELBOW,90°,SWIVEL NUT ORFS			

Fitting Cross References (Continued)

Genie PN	Parker PN	Description	Genie PN	Parker PN	Description
53535	3-912	O-RING, STRAIGHT THREAD, -12	61083	24 F5OLO-S	CONNECTOR, STRAIGHT THREAD TO ORFS
53536	4-PNLO-S	PLUG, TUBE END, ORFS	61086	20 R5OLO-S	RUN TEE, STRAIGHT THREAD
53537	6 PNLO-S	PLUG, TUBE END, ORFS	61090	24-20 F5OLO-S	CONNECTOR, STRAIGHT THREAD TO ORFS
53538	8 PNLO-S	PLUG, TUBE END, ORFS	61091	1J943-24-24	HOSE END, 90° FEMALE SWIVEL, SEAL LOK
53539	10 PNLO-S	PLUG, TUBE END, ORFS	61093	1J978-12-12	HOSE END, 90° FEMALE SWIVEL, JIC
53540	12 PNLO-S	PLUG, TUBE END, ORFS	61095	1JS43-20-16	HOSE END, FEMALE SWIVEL, SEAL LOK
53946	129HB-5-4	FITTING, 90° HOSE BARB TO MALE PIPE	61100	811-24	HOSE, 1 1/2 INCH ID
53951	8-1/4F50G-S	ADAPTER, FEMALE PIPE TO STRAIGHT THREAD	61130	1JS43-24-24	HOSE END, FEMALE SWIVEL, SEAL LOK
53980	6 S6LO-S	BRANCH TEE, SWIVEL NUT TO ORFS	61131	1JS78-12-12	HOSE END, FEMALE SWIVEL, SEAL LOK
54132	4 C6LO-S	ELBOW, 90°, SWIVEL NUT ORFS	61132	1J778-12-12	HOSE END, 45° FEMALE SWIVEL, JIC
54135	11343-16-16	HOSE END, MALE SWIVEL, PIPE	61152	139HB-6-4	ELBOW, 45°, BARB TO MALE PIPE
54283	8-10 C5OLO-S	ELBOW, 90°, STRAIGHT THREAD TO ORFS	61251	BV-0750	BALL VALVE
54428	8M18C870MLO-S	ELBOW, 90° METRIC, STRAIGHT THREAD TO ORFS	61259	4 CC5OLO-S	ELBOW, 90° LONG, STRAIGHT THREAD TO ORFS
54803	FS-F-16-10	SLEEVE, FIRE, .96" ID	61260	20-12 TRLO-BL	REDUCER, TUBE END TO SWIVEL, ORFS
54954	10143-2-4	HOSE END, MALE PIPE	61262	12 C6LO-S	ELBOW, 90°, SWIVEL NUT ORFS
55190	3/8 HP-S	PLUG, PIPE THREAD	61263	20 F5OHAO-S	UNION, STRAIGHT THREAD
55448	8 HLO-S	UNION, ORFS	61264	6-10 C5OLO-S	ELBOW, 90°, STRAIGHT THREAD TO ORFS
55839	6 F65OX-S	CONNECTOR, STRAIGHT THREAD TO 37° SWIVEL	61265	6 WNLO-WLNL-S	UNION, BULKHEAD 45°, ORFS
55968	10 C5OX-S	ELBOW, 90°, STRAIGHT THREAD TO FLARE TUBE	61268	4 WNLO-WLNL-S	UNION, BULKHEAD 45°, ORFS
56003	6 CC5OLO-S	ELBOW, 90° LONG, STRAIGHT THREAD TO ORFS	61269	4 WLO-WLNL-S	UNION, BULKHEAD, ORFS
56166	BV-0837	BALL VALVE, 90°	61272	12 AOEL6	ELBOW, 90°, STRAIGHT THREAD TO ORFS SWIVEL
56188	10143-8-6	HOSE END, MALE PIPE	61316	482TC-16	HOSE, 1 INCH ID
56233	2-011	O-RING, ORFS, -4	61321	6 JLO-S	UNION TEE, ORFS
56234	2-012	O-RING, ORFS, -6	61327	782-12	HOSE, 3/4 INCH ID
56235	2-014	O-RING, ORFS, -8	61328	881-24	HOSE, 1 1/2 INCH ID
56236	2-016	O-RING, ORFS, -10	61336	11943-20-24	HOSE END, 90° FLANGE HEAD
56237	2-018	O-RING, ORFS, -12	61345	12 WJJLO-WLNL-S	RUN TEE, BULKHEAD, ORFS
56238	2-021	O-RING, ORFS, -16	61346	8 WNLO-WLNL-S 4	UNION, BULKHEAD 45°, ORFS
56352	6 WLNL-S	LOCKNUT, BULKHEAD	61569	33782-8-8	HOSE END, 45° FEMALE SWIVEL, JIC
56353	3J782-12-12	HOSE END, 45° FEMALE SWIVEL, SEAL LOK	61610	12 FF5OLO-S	CONNECTOR, LONG, STRAIGHT THREAD TO ORFS
56354	3J982-12-12	HOSE END, 90° FEMALE SWIVEL, SEAL LOK	61742	1/8 X 1.5 FFF	NIPPLE, PIPE
56604	10-8 F5OLO-S	CONNECTOR, STRAIGHT THREAD TO ORFS	63426	8 PNTX-S	PLUG, FLARE TUBE
56639	3JC82-10-10	HOSE END, FEMALE SWIVEL, SEAL LOK			
56640	3J982-10-10	HOSE END, 90° FEMALE SWIVEL, SEAL LOK			
56655	3JC82-8-10	HOSE END, FEMALE SWIVEL, SEAL LOK			
56676	10-8 C5OLO-S	ELBOW, 90°, STRAIGHT THREAD TO ORFS			
56776	471TC-6	HOSE, 3/8 INCH ID			
56777	471TC-8	HOSE, 1/2 INCH ID			
56789	811-16	HOSE, 1 INCH ID			
57884	3/8 FF	NIPPLE, PIPE			
59335	6 FNL-S	CAP, TUBE END			
59342	4 FNL-S	CAP, TUBE END			
59371	8 HP50N-S	PLUG, STRAIGHT THREAD			
60653	BV-0751	BALL VALVE			
60806	125HB-3-4	FITTING, HOSE BARB TO MALE PIPE			
61064	5-1/4 F50G-S	ADAPTER, FEMALE PIPE TO STRAIGHT THREAD			
61079	4 WELO-WLNL-S	UNION, 90° BULKHEAD W/NUT, ORFS			
61080	6 WLO-WLNL-S	UNION, BULKHEAD, ORFS			

Fitting Cross References (Continued)

Genie PN	Parker PN	Description	Genie PN	Parker PN	Description
64271	4 WLO-WLNL-S	UNION,BULKHEAD,ORFS	75631	801-6	HOSE,3/8 INCH ID
64272	6 WLO-WLNL-S	UNION,BULKHEAD,ORFS	75654	20 F5OLO-S	CONNECTOR,STRAIGHT THREAD TO ORFS
65776	8 F65OL-S	CONNECTOR,STRAIGHT THREAD TO ORFS SWIVEL	75655	1J943-20-20	HOSE END,90° FEMALE SWIVEL,SEAL LOK
65880	6001012	O-RING KIT	75656	881-20	HOSE,1-1/4 INCH ID
66154	6 WTX-WLNS	UNION,BULKHEAD,FLARE TUBE	75971	8 F5OHAO-S	UNION,STRAIGHT THREAD
66155	6 WETX-S	UNION,BULKHEAD 90°,FLARE TUBE	77307	1JB43-8-8	HOSE END,BULKHEAD,SEAL LOK
66156	6 WLN-S	BULKHEAD LOCKNUT	77309	8 WLNL-S	BULKHEAD LOCKNUT
66389	6-8 F5OX-S	CONNECTOR,STRAIGHT THREAD TO FLARE TUBE	77379	8M18C87OMX-S	ELBOW,90° METRIC,STRAIGHT THREAD TO FLARE TUBE
66392	6 R5OX-S	RUN TEE,STRAIGHT THREAD	77703	3J982-8-8	HOSE END,90° FEMALE SWIVEL,SEAL LOK
66396	811-12	HOSE,3/4 INCH ID	77711	801-10	HOSE,5/8 INCH ID
66829	H3174PP	CLAMP,TUBE	77758	12 WNLO-WLNL-S	UNION,BULKHEAD 45°,ORFS
67217	4 KLO-S	UNION,CROSS,ORFS	78091	6 C6X-S	ELBOW,90°,SWIVEL NUT TO FLARE TUBE
67339	10-6 F5OX-S	CONNECTOR,STRAIGHT THREAD TO FLARE TUBE	78684	30582-8-8B	HOSE END,PUSH LOK,MALE
67357	13943-8-6	HOSE END,90° FEMALE SWIVEL,JIC	78852	549-2	HOSE,1/8 INCH ID
67358	10 HP5ON-S	PLUG,STRAIGHT THREAD	78855	10657-4-2	HOSE END,FEMALE SWIVEL,JIC
67371	12 S6LO-S	BRANCH TEE,SWIVEL NUT TO ORFS	79138	PS-B-37	SLEEVE,NYLON,2.38" ID
67498	4 FNL-S	CAP, TUBE END	79476	1JS43-6-8	HOSE END,FEMALE SWIVEL,SEAL LOK
67906	DC-370-F0F0-5	VALVE,CHECK	79847	12-3/4 A0EG-S	ELBOW,90°,STRAIGHT THREAD TO FEMALE PIPE
69316	8 FLO-S	CONNECTOR,MALE PIPE TO ORFS	80044	8 CLO-S	ELBOW,90°,MALE PIPE TO ORFS
69333	H3174PP	CLAMP,HYDRAULIC HOSE	80502	8 F5OX-S	CONNECTOR,STRAIGHT THREAD TO FLARE TUBE
69503	4 F65OX-S	CONNECTOR,STRAIGHT THREAD TO 37° SWIVEL	80503	8 C5OX-S	ELBOW,90°,STRAIGHT THREAD TO FLARE TUBE
69775	8 FNL-S	CAP, TUBE END	81010	AS-B-27	SLEEVE,NYLON,1.63" ID
71038	1/4X1/4F3HG-S	ADAPTER,CONVERSION	83052	821-6	HOSE,3/8 INCH ID
71196	12-8 F5OLO-S	CONNECTOR,STRAIGHT THREAD TO ORFS	83053	821-8	HOSE,1/2 INCH ID
71383	1/4 CD45-S	ELBOW,45°,MALE TO FEMALE PIPE	83054	821-12	HOSE,3/4 INCH ID
72270	12FNL-S	CAP, TUBE END	83055	30682-6-6	HOSE END,FEMALE SWIVEL,JIC
73436	60C-4	SLEEVE,COMPRESSION	83056	30682-12-12	HOSE END,FEMALE SWIVEL,JIC
73437	61C-4	NUT,COMPRESSION	83057	33782-6-6	HOSE END,45° FEMALE SWIVEL,JIC
73438	33482-4-4B	HOSE END,PUSH LOK,MALE	83058	33982-6-6	HOSE END,90° FEMALE SWIVEL,JIC
73767	1CD-S	ELBOW,90°,MALE TO FEMALE PIPE	83060	33982-12-12	HOSE END,90° FEMALE SWIVEL,JIC
73768	20-16-F5OG5-S	ADAPTER,FEMALE PIPE TO STRAIGHT THREAD	83063	13743-4-4	HOSE END,45° FEMALE SWIVEL,JIC
73769	16-20 F5OLO-S	CONNECTOR,STRAIGHT THREAD TO ORFS			
74660	6-8 F42EDMLO-S	CONNECTOR,MALE BSPP TO ORFS			
74661	8-8 F42EDMLO-S	CONNECTOR,MALE BSPP TO ORFS			
75007	4 FLO-S	CONNECTOR,MALE PIPE TO ORFS			
75008	1/8 HP-S	PLUG,PIPE THREAD			
75014	1/2 HP-S	PLUG,PIPE THREAD			
75042	8 WELO-WLNL-S	UNION,90° BULKHEAD W/NUT,ORFS			
75043	3/4 FF-S	NIPPLE,PIPE			
75254	24 F5OHAO-S	UNION,STRAIGHT THREAD			
75255	12 F5OHAO-S	UNION,STRAIGHT THREAD			
75256	XV506P-24	BALL VALVE			
75574	4 WLNL-S	BULKHEAD LOCKNUT			
75612	8 WJLO-WLNL-S	RUN TEE, BULKHEAD,ORFS			
75613	12-8 F5OG5-S	ADAPTER,FEMALE PIPE TO STRAIGHT THREAD			
75614	8 CC5OLO-S	ELBOW,90° LONG,STRAIGHT THREAD TO ORFS			
75628	1JB43-4-4	HOSE END,BULKHEAD,SEAL LOK			

Fitting Cross References (Continued)

Genie PN	Parker PN	Description	Genie PN	Parker PN	Description
83064	13743-8-8	HOSE END,45° FEMALE SWIVEL,JIC	89449	6 WJLO-WLNL-S	RUN TEE, BULKHEAD,ORFS
83065	13743-12-12	HOSE END,45° FEMALE SWIVEL,JIC	89489	4 WJMLO-S	BRANCH TEE,BULKHEAD,ORFS
83066	13943-8-8	HOSE END,90° FEMALE SWIVEL,JIC	89551	1JB43-6-6	HOSE END,BULKHEAD,SEAL LOK
83067	14143-6-6	HOSE END,90° FEMALE SWIVEL,JIC	89552	1JB43-8-8	HOSE END,BULKHEAD,SEAL LOK
83068	14143-8-8	HOSE END,90° FEMALE SWIVEL,JIC	89593	20 C5OLO-S	ELBOW,90°,STRAIGHT THREAD TO ORFS
83069	14143-12-12	HOSE END,90° FEMALE SWIVEL,JIC	94161	8-8 CLO-S	ELBOW,90°,MALE PIPE TO ORFS
83070	772-8	HOSE,1/2 INCH ID	94358	351TC-12	HOSE,3/4 INCH ID
83071	10671-8-8	HOSE END,FEMALE SWIVEL,JIC	94418	20 FLO-S	CONNECTOR,MALE PIPE TO ORFS
83072	10671-12-12	HOSE END,FEMALE SWIVEL,JIC	96358	12 TX-S	SLEEVE,FLARE TUBE
83073	13771-8-8	HOSE END,45° FEMALE SWIVEL,JIC	96359	12 BTX-S	NUT,FLARE TUBE
83074	13771-12-12	HOSE END,45° FEMALE SWIVEL,JIC	96397	8 F5OX-S	CONNECTOR,STRAIGHT THREAD TO FLARE TUBE
83075	13971-8-8	HOSE END,90° FEMALE SWIVEL,JIC	96398	12-8 F5OX-S	CONNECTOR,STRAIGHT THREAD TO FLARE TUBE
83076	13971-12-12	HOSE END,90° FEMALE SWIVEL,JIC	96402	10343-6-6	HOSE END,MALE,JIC
83077	14171-8-8	HOSE END,90° FEMALE SWIVEL,JIC	96407	30382-6-6B	HOSE END,MALE,JIC
83078	14171-12-12	HOSE END,90° FEMALE SWIVEL,JIC			
83080	13943-16-16	HOSE END,90° FEMALE SWIVEL,JIC			
83103	10671-16-12	HOSE END,FEMALE SWIVEL,JIC			
83104	10671-10-12	HOSE END,FEMALE SWIVEL,JIC			
83112	1JC71-8-8	HOSE END,FEMALE SWIVEL,SEAL LOK			
83113	1JS71-16-12	HOSE END,FEMALE SWIVEL,SEAL LOK			
83114	1JS71-10-12	HOSE END,FEMALE SWIVEL,SEAL LOK			
83115	1J971-8-8	HOSE END,90° FEMALE SWIVEL,SEAL LOK			
83116	1J171-8-8	HOSE END,90° FEMALE SWIVEL,SEAL LOK			
83117	1J771-8-8	HOSE END,45° FEMALE SWIVEL,SEAL LOK			
83127	1J543-6-8	HOSE END,90° FEMALE SWIVEL,JIC			
83128	1JC43-6-8	HOSE END,FEMALE SWIVEL,SEAL LOK			
87033	12-6 TRLO-S	REDUCER,TUBE END TO SWIVEL,ORFS			
87034	3J782-8-8	HOSE END,45° FEMALE SWIVEL,SEAL LOK			
87172	12 HP5ON-S	PLUG,STRAIGHT THREAD			
87185	8 WNLO-WLNL-S	UNION,BULKHEAD 45°,ORFS			
87246	4 C6X-S	ELBOW,90°,SWIVEL NUT TO FLARE TUBE			
87679	6 LHP-S	FLANGE SEAL FITTING, MALE			
87681	6PLS N0702	BONDED SEAL			
88100	SR88100	ADAPTER,OIL DRAIN,GM 3.0L			
88311	1JS43-20-20	HOSE END,FEMALE SWIVEL,SEAL LOK			
88353	20 V5OLO-S	ELBOW,45°,STRAIGHT THREAD TO ORFS			
88474	10081-20	Crimp Shell, 1.25"			
88475	1988-20-24	HOSE END,90° FLANGE HEAD			
88476	JS88-24-24	HOSE END,FEMALE SWIVEL,SEAL LOK			
88477	1JC88-20-20	HOSE END,FEMALE SWIVEL,SEAL LOK			
88478	811-20	HOSE,11/4 INCH ID			
88936	20-16 F5OLO-S	CONNECTOR,STRAIGHT THREAD TO ORFS			
88937	20-16 FLO-S	CONNECTOR,MALE PIPE TO ORFS			
88938	1JC88-16-16	HOSE END,FEMALE SWIVEL,SEAL LOK			
88939	1J988-16-16	HOSE END,90° FEMALE SWIVEL,ORFS			
88940	811-16	HOSE,1 INCH ID			
88944	1J988-20-20	HOSE END,90° FEMALE SWIVEL,ORFS			
89403	16 VLO-S	ELBOW,45°,MALE PIPE TO ORFS			

California Proposition 65



WARNING

Operating, servicing and maintaining this equipment can expose you to chemicals including engine exhaust, carbon monoxide, phthalates, and lead, which are known to the State of California to cause cancer and birth defects or other reproductive harm. These chemicals can be emitted from or contained in other various parts and systems, fluids and some component wear by-products. To minimize exposure, avoid breathing exhaust, do not idle the engine except as necessary, service your equipment and vehicle in a well-ventilated area and wear gloves or wash your hands frequently when servicing your equipment or vehicle and after operation. For more information go to www.P65Warnings.ca.gov/passenger-vehicle.

Breathing diesel engine exhaust exposes you to chemicals known to the State of California to cause cancer and birth defects or other reproductive harm.

- Always start and operate the engine in a well-ventilated area.
- If in an enclosed area, vent the exhaust to the outside.
- Do not modify or tamper with the exhaust system.
- Do not idle the engine except as necessary.

For more information go to www.P65warnings.ca.gov/diesel.

Parts Manual

GTH-5021R_IIIA

*from SN GTH5021R15B-128 to GTH5021R16B-131
from SN GTH5021R16M-132 to GTH5021R17M-181*

Part No.
57.0411.0054GT

Rev C

